

(19) World Intellectual Property Organization
International Bureau



(43) International Publication Date
10 January 2002 (10.01.2002)

PCT

(10) International Publication Number
WO 02/02180 A3

(51) International Patent Classification⁷: A61M 37/00, A61B 10/00, 17/322

(74) Agents: SCHMIDT, Richard, D. et al.; Venable, Baetjer, Howard & Civiletti, LLP, 1201 New York Avenue, NW, Suite 1000, P.O. Box 34385, Washington, DC 20043-9998 (US).

(21) International Application Number: PCT/US01/20783

(22) International Filing Date: 29 June 2001 (29.06.2001)

(81) Designated States (national): AE, AG, AL, AM, AT, AU, AZ, BA, BB, BG, BR, BY, BZ, CA, CH, CN, CO, CR, CU, CZ, DE, DK, DM, DZ, EC, EE, ES, FI, GB, GD, GE, GH, GM, HR, HU, ID, IL, IN, IS, JP, KE, KG, KP, KR, KZ, LC, LK, LR, LS, LT, LU, LV, MA, MD, MG, MK, MN, MW, MX, MZ, NO, NZ, PL, PT, RO, RU, SD, SE, SG, SI, SK, SL, TJ, TM, TR, TT, TZ, UA, UG, US, UZ, VN, YU, ZA, ZW.

(25) Filing Language: English

(26) Publication Language: English

(30) Priority Data:
09/606,907 29 June 2000 (29.06.2000) US

(71) Applicant (for all designated States except US): BECTON, DICKINSON AND COMPANY [US/US]; Intellectual Property Department, Mail Code 089, 1 Becton Drive, Franklin Lakes, NJ 07417-1880 (US).

(84) Designated States (regional): ARIPO patent (GH, GM, KE, LS, MW, MZ, SD, SL, SZ, TZ, UG, ZW), Eurasian patent (AM, AZ, BY, KG, KZ, MD, RU, TJ, TM), European patent (AT, BE, CH, CY, DE, DK, ES, FI, FR, GB, GR, IE, IT, LU, MC, NL, PT, SE, TR), OAPI patent (BF, BJ, CF, CG, CI, CM, GA, GN, GW, ML, MR, NE, SN, TD, TG).

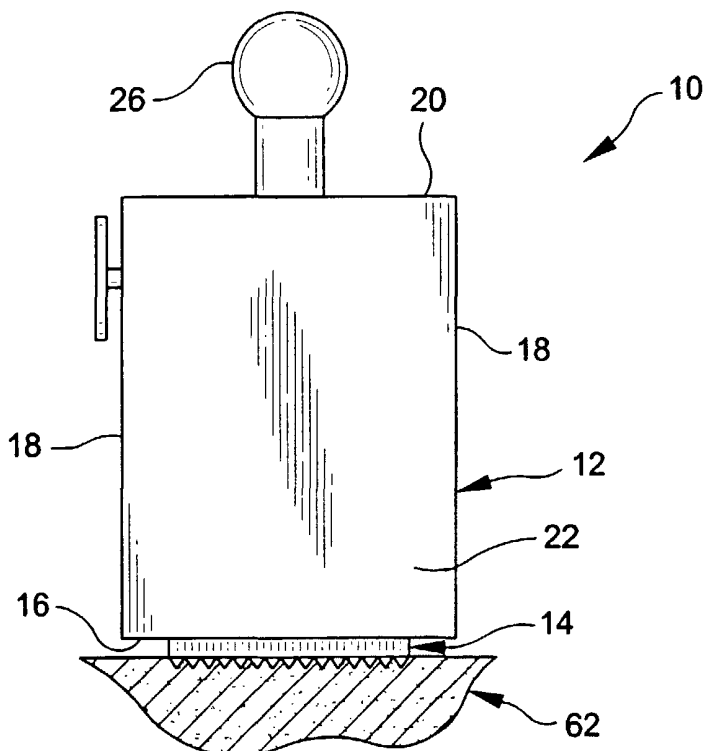
(72) Inventor; and

(75) Inventor/Applicant (for US only): POWELL, Kenneth, G. [US/US]; 4513 Wood Valley Drive, Raleigh, NC 17613 (US).

Published:
— with international search report

[Continued on next page]

(54) Title: METHOD AND APPARATUS FOR TRANSDERMALLY SAMPLING OR ADMINISTERING A SUBSTANCE TO A PATIENT



(57) Abstract: A device for delivering or withdrawing a substance from a patient includes a support member, a skin penetrating device and an advancing assembly for advancing the skin penetrating device to an operating position. The advancing assembly includes a supply spool for supporting a web having the skin penetrating devices attached thereon and a take up spool for receiving the web with the spent skin penetrating devices. The support has a bottom wall with at least one opening for exposing the skin penetrating device for penetrating the skin of a patient. In one embodiment the skin penetrating devices are micro needles having a length of about 50-2000 microns.

WO 02/02180 A3



--- *before the expiration of the time limit for amending the claims and to be republished in the event of receipt of amendments*

For two-letter codes and other abbreviations, refer to the "Guidance Notes on Codes and Abbreviations" appearing at the beginning of each regular issue of the PCT Gazette.

(88) Date of publication of the international search report:

2 May 2002

INTERNATIONAL SEARCH REPORT

International Application No

PCT/US 01/20783

A. CLASSIFICATION OF SUBJECT MATTER
 IPC 7 A61M37/00 A61B10/00 A61B17/322

According to International Patent Classification (IPC) or to both national classification and IPC

B. FIELDS SEARCHED

Minimum documentation searched (classification system followed by classification symbols)

IPC 7 A61M A61B A61N

Documentation searched other than minimum documentation to the extent that such documents are included in the fields searched

Electronic data base consulted during the international search (name of data base and, where practical, search terms used)

EPO-Internal, WPI Data, PAJ

C. DOCUMENTS CONSIDERED TO BE RELEVANT

Category °	Citation of document, with indication, where appropriate, of the relevant passages	Relevant to claim No.
X A	WO 97 03718 A (BOEHRINGER INGELHEIM KG ;EICHER JOACHIM (DE); ZIERENBERG BERND (DE) 6 February 1997 (1997-02-06) page 8, paragraph 2; figures	1,2,10, 11 16,23, 24,26
A	WO 95 12357 A (MEDIPRO SCIENCES LTD) 11 May 1995 (1995-05-11) page 8, line 5 -page 10, line 4; figures	1-4,16
A	US 5 964 729 A (CHOI SANG BAE ET AL) 12 October 1999 (1999-10-12) abstract; figures	1,16
A	US 5 250 023 A (LEE HAI BANG ET AL) 5 October 1993 (1993-10-05) cited in the application abstract; figures	1,16

Further documents are listed in the continuation of box C.

Patent family members are listed in annex.

° Special categories of cited documents :

- *A* document defining the general state of the art which is not considered to be of particular relevance
- *E* earlier document but published on or after the international filing date
- *L* document which may throw doubts on priority claim(s) or which is cited to establish the publication date of another citation or other special reason (as specified)
- *O* document referring to an oral disclosure, use, exhibition or other means
- *P* document published prior to the international filing date but later than the priority date claimed

- *T* later document published after the international filing date or priority date and not in conflict with the application but cited to understand the principle or theory underlying the invention
- *X* document of particular relevance; the claimed invention cannot be considered novel or cannot be considered to involve an inventive step when the document is taken alone
- *Y* document of particular relevance; the claimed invention cannot be considered to involve an inventive step when the document is combined with one or more other such documents, such combination being obvious to a person skilled in the art.
- *&* document member of the same patent family

Date of the actual completion of the international search

19 February 2002

Date of mailing of the international search report

26/02/2002

Name and mailing address of the ISA

European Patent Office, P.B. 5818 Patentlaan 2
 NL - 2280 HV Rijswijk
 Tel. (+31-70) 340-2040, Tx. 31 651 epo nl,
 Fax: (+31-70) 340-3016

Authorized officer

Kousouretas, I

INTERNATIONAL SEARCH REPORT

Information on patent family members

International Application No

PCT/US 01/20783

Patent document cited in search report	Publication date	Patent family member(s)	Publication date
WO 9703718	A	06-02-1997	DE 19525607 A1 16-01-1997
			AT 207769 T 15-11-2001
			AU 722943 B2 17-08-2000
			AU 6656796 A 18-02-1997
			BG 63142 B1 31-05-2001
			BG 102200 A 31-08-1998
			BR 9609796 A 16-03-1999
			CA 2226718 A1 06-02-1997
			CN 1190904 A 19-08-1998
			CZ 9800118 A3 17-06-1998
			DE 59608081 D1 06-12-2001
			EE 9800025 A 17-08-1998
			WO 9703718 A1 06-02-1997
			EP 0840634 A1 13-05-1998
			ES 2163035 T3 16-01-2002
			HU 9802773 A2 28-06-1999
			JP 11509123 T 17-08-1999
			NO 980147 A 13-03-1998
			PL 324530 A1 08-06-1998
			SK 4998 A3 09-09-1998
			TR 9800048 T1 21-04-1998
US 6132755 A 17-10-2000			
<hr/>			
WO 9512357	A	11-05-1995	WO 9512357 A1 11-05-1995
			AU 5414594 A 23-05-1995
<hr/>			
US 5964729	A	12-10-1999	KR 134154 B1 14-04-1998
			KR 134153 B1 14-04-1998
			KR 134150 B1 14-04-1998
			CA 2149836 A1 24-11-1995
			DE 19518974 A1 30-11-1995
			FR 2720002 A1 24-11-1995
			JP 2605237 B2 30-04-1997
			JP 8150146 A 11-06-1996
<hr/>			
US 5250023	A	05-10-1993	KR 9202264 B1 20-03-1992
			KR 9300062 B1 08-01-1993
			EP 0429842 A2 05-06-1991
			EP 0509122 A1 21-10-1992
			JP 1892430 C 26-12-1994
			JP 3151982 A 28-06-1991
			JP 6014980 B 02-03-1994
			CA 2041250 A1 23-11-1991