



US00D727743S

(12) **United States Design Patent**
Rose

(10) **Patent No.:** **US D727,743 S**

(45) **Date of Patent:** **** Apr. 28, 2015**

- (54) **HELMET-SHAPED BOTTLE**
- (71) Applicant: **Michael Rose**, Ridgefield, CT (US)
- (72) Inventor: **Michael Rose**, Ridgefield, CT (US)
- (73) Assignee: **Forsythe Cosmetic Group, Ltd.**,
Freeport, NY (US)
- (**) Term: **14 Years**
- (21) Appl. No.: **29/472,634**
- (22) Filed: **Nov. 14, 2013**
- (51) **LOC (10) Cl.** **09-01**
- (52) **U.S. Cl.**
USPC **D9/668**
- (58) **Field of Classification Search**
CPC D65D 67/00
USPC D7/613, 619.2, 623, 628, 392.1; D9/600,
D9/614, 618-619, 623, 628, 668, 441,
D9/451; 206/457, 527; 215/381-384, 400
See application file for complete search history.

- D416,799 S * 11/1999 Adams D9/451
- D663,575 S * 7/2012 Carroll et al. D7/392.1
- D698,599 S * 2/2014 Malik D7/392.1
- 8,701,907 B1 * 4/2014 Mallicoat D9/451

* cited by examiner

Primary Examiner — Sandra Morris
(74) *Attorney, Agent, or Firm* — Vedder Price P.C.

(57) **CLAIM**

The ornamental design of the helmet-shaped bottle, as shown and described.

DESCRIPTION

FIG. 1 is a perspective view of the helmet-shaped bottle; FIG. 2 is a side view of the helmet-shaped bottle of FIG. 1, the other side view being a mirror image thereof; FIG. 3 is a front view of the helmet-shaped bottle of FIG. 1; FIG. 4 is a rear view of the helmet-shaped bottle of FIG. 1; FIG. 5 is a top view of the helmet-shaped bottle of FIG. 1; FIG. 6 is a bottom view of the helmet-shaped bottle of FIG. 1; FIG. 7 is a perspective view of an alternative embodiment of the helmet-shaped bottle; FIG. 8 is a side view of the helmet-shaped bottle of FIG. 7, the other side view being a mirror image thereof; FIG. 9 is a front view of the helmet-shaped bottle of FIG. 7; FIG. 10 is a rear view of the helmet-shaped bottle of FIG. 7; FIG. 11 is a top view of the helmet-shaped bottle of FIG. 7; and, FIG. 12 is a bottom view of the helmet-shaped bottle of FIG. 7.

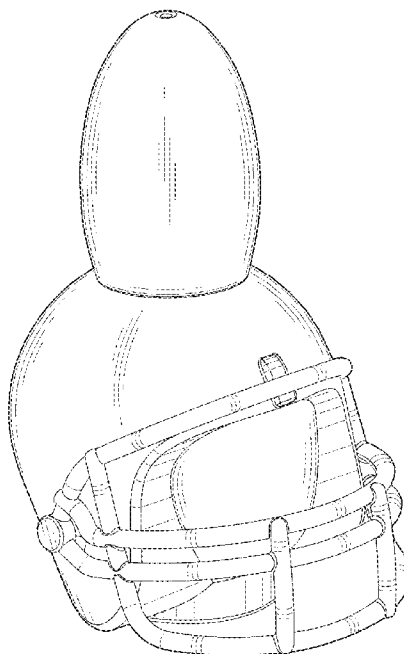
The broken line portions of the drawings are for illustrative purposes only and form no part of the claimed design.

1 Claim, 6 Drawing Sheets

(56) **References Cited**

U.S. PATENT DOCUMENTS

- D314,492 S * 2/1991 Weller et al. D7/623
- D327,817 S * 7/1992 Paullin D7/515
- D330,857 S * 11/1992 Kidd D9/451
- D337,242 S * 7/1993 Steinfels, III D7/623
- D344,659 S * 3/1994 Hsu D7/613
- D349,216 S * 8/1994 Steinfels, III D7/623
- D369,114 S * 4/1996 Davidov D7/514
- D369,529 S * 5/1996 Blankenburg et al. D7/625
- D382,473 S * 8/1997 Egender D7/613



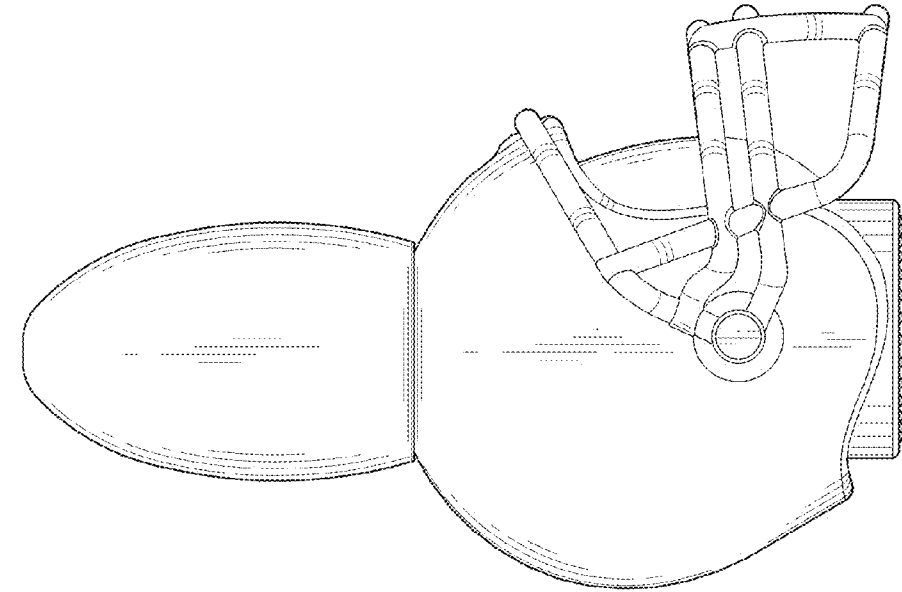


FIG. 1

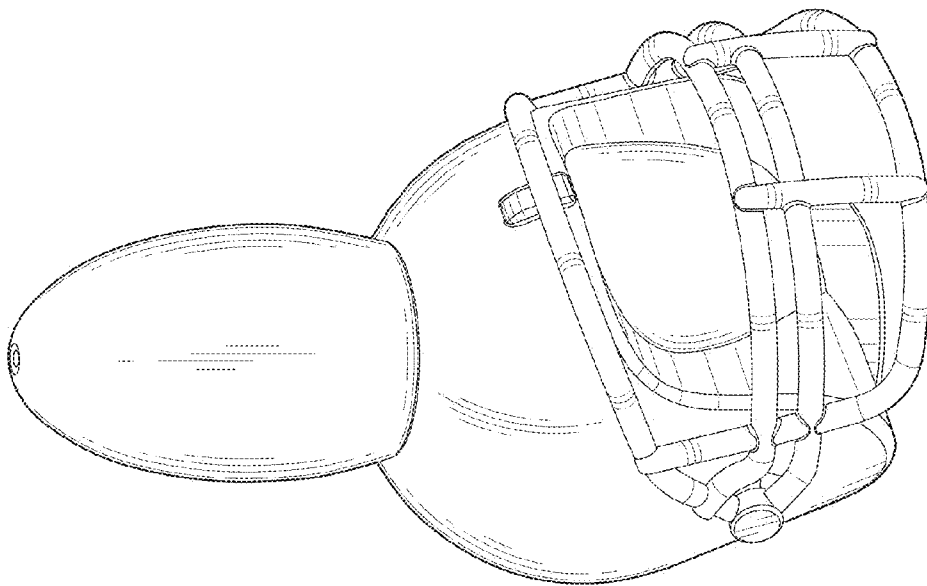


FIG. 2

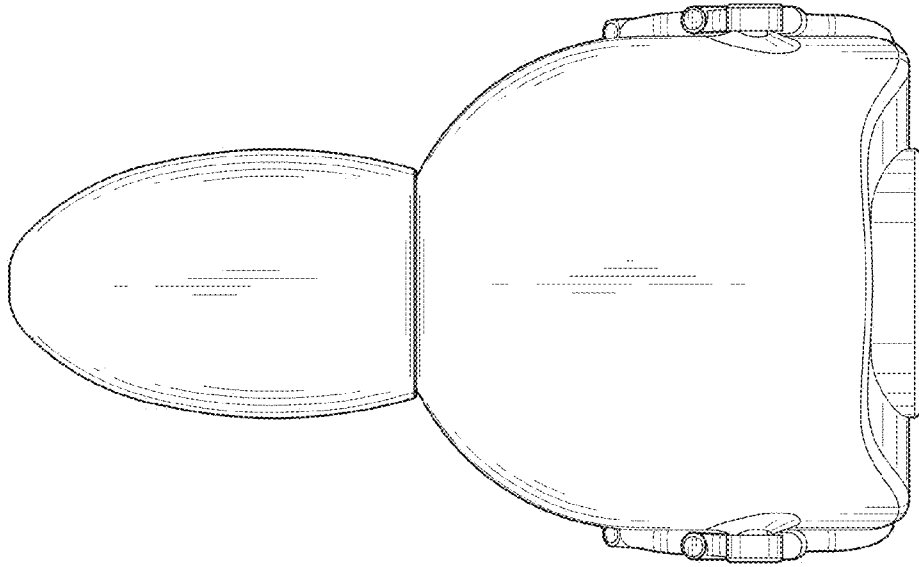


FIG. 4

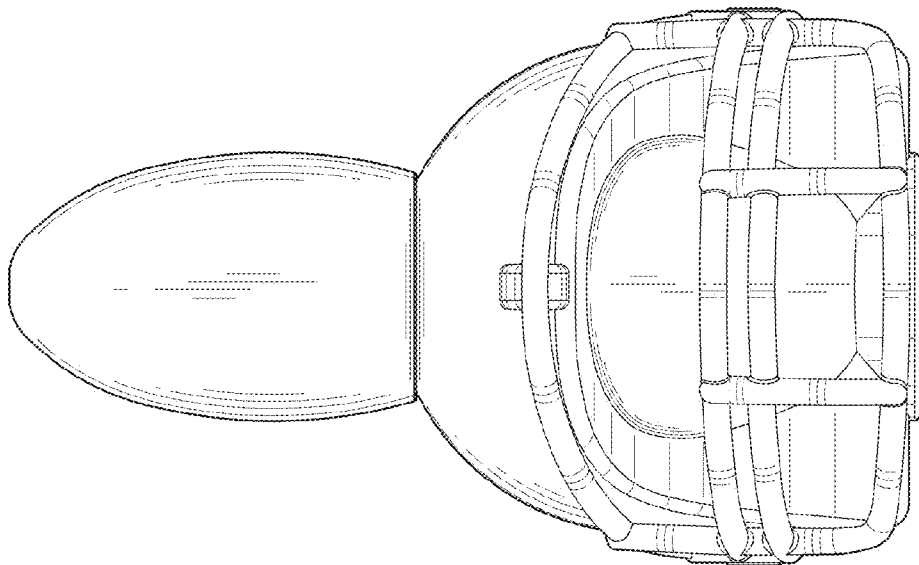


FIG. 3

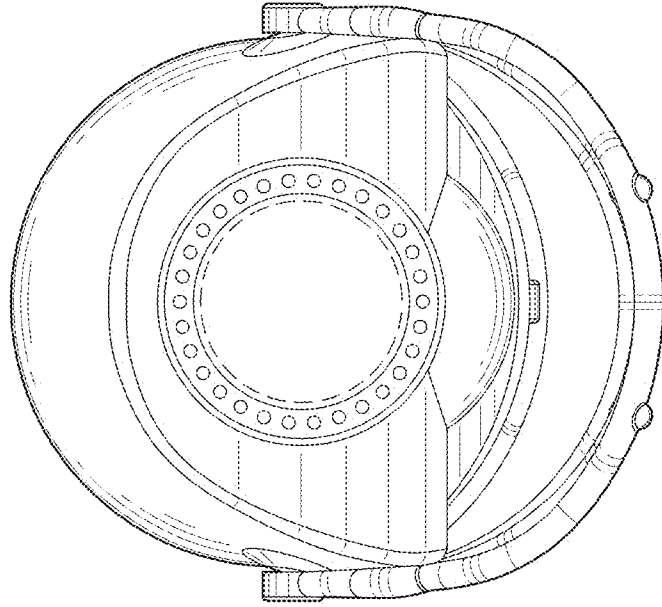


FIG. 5

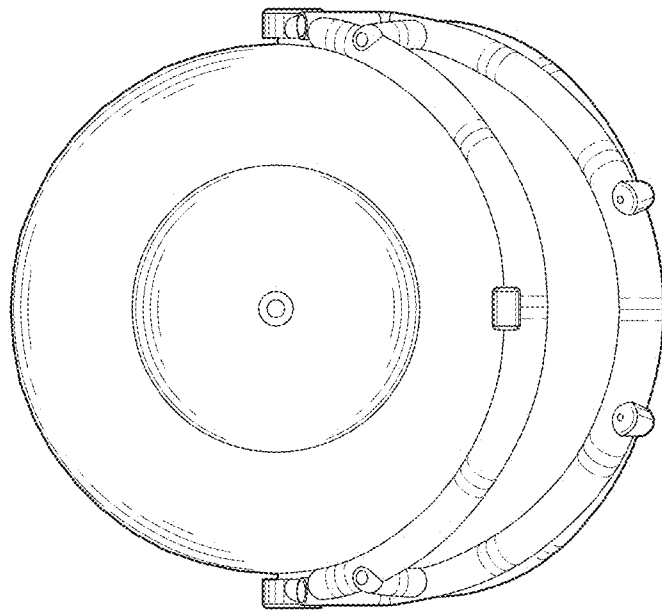


FIG. 6

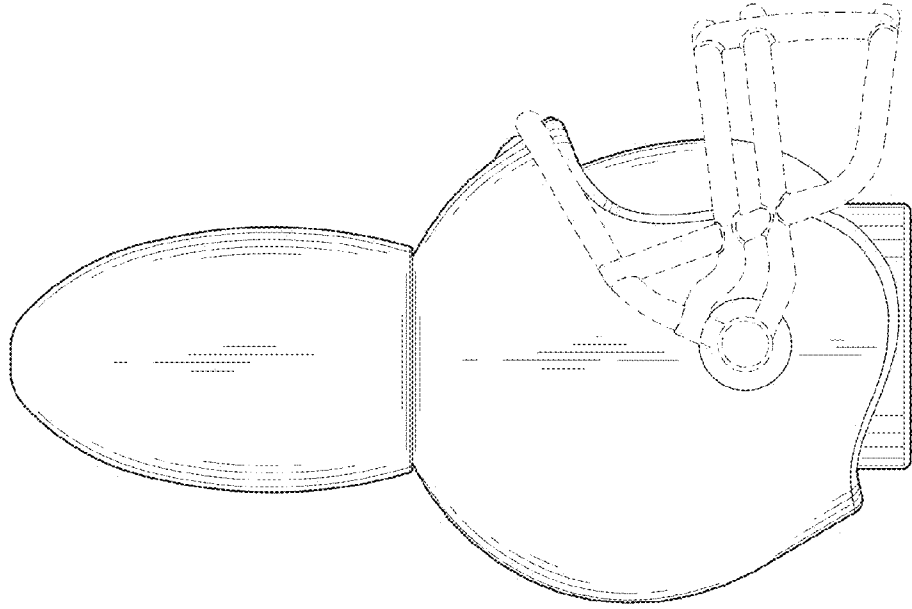


FIG. 8

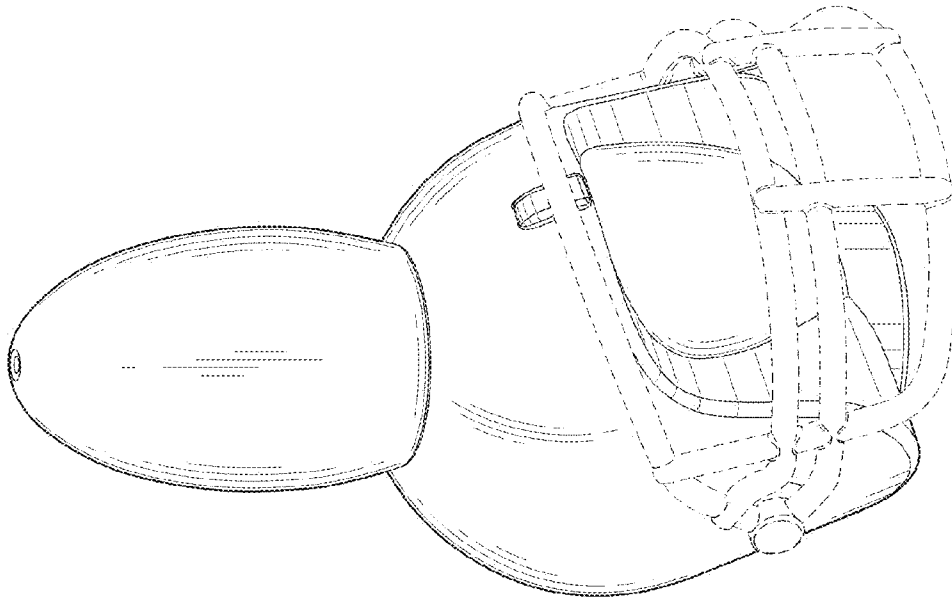


FIG. 7

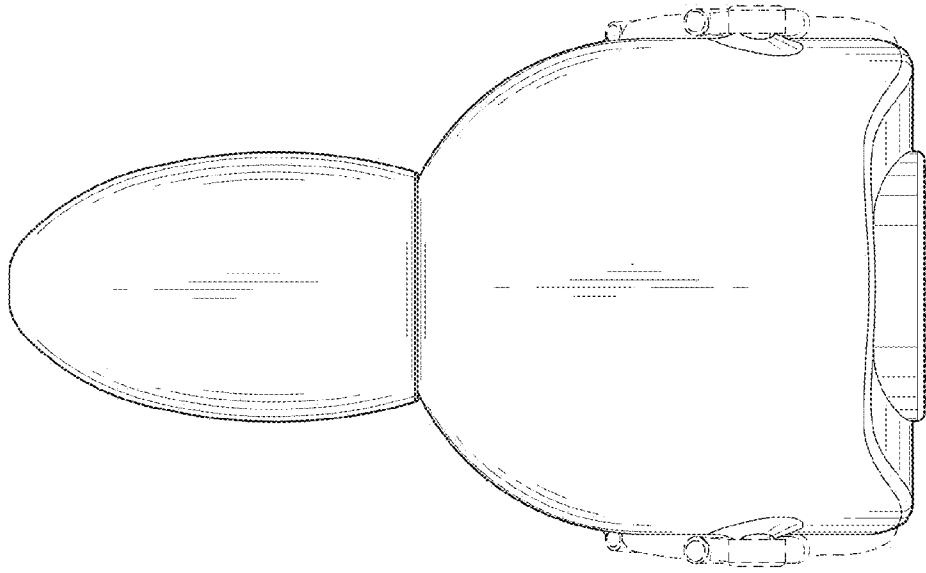


FIG. 10

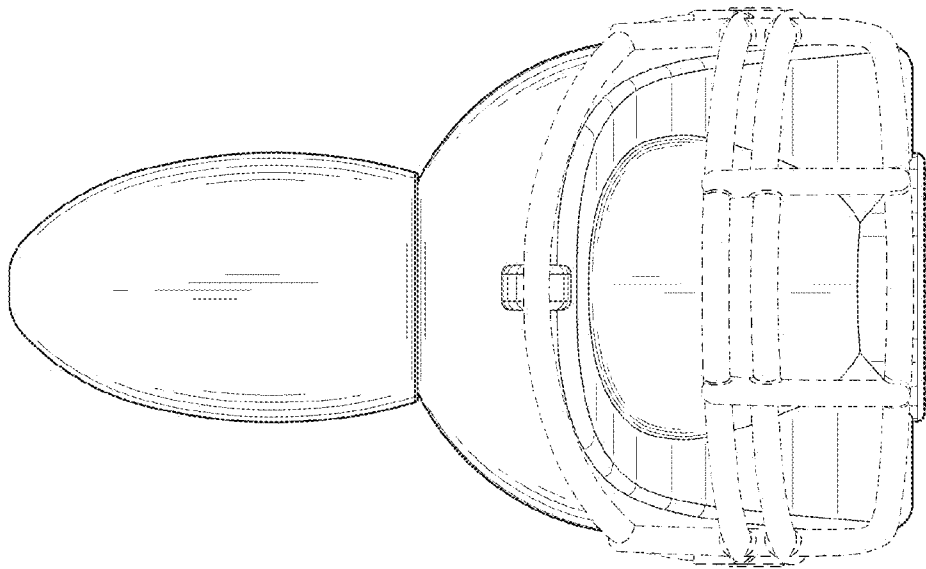


FIG. 9

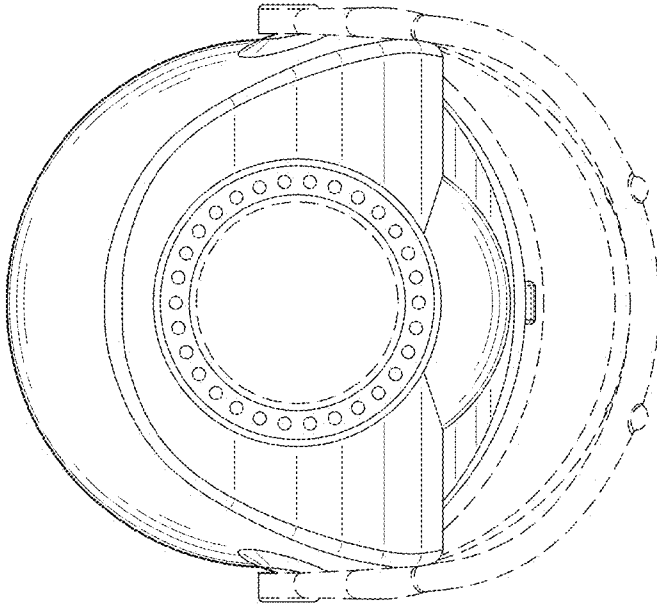


FIG. 11

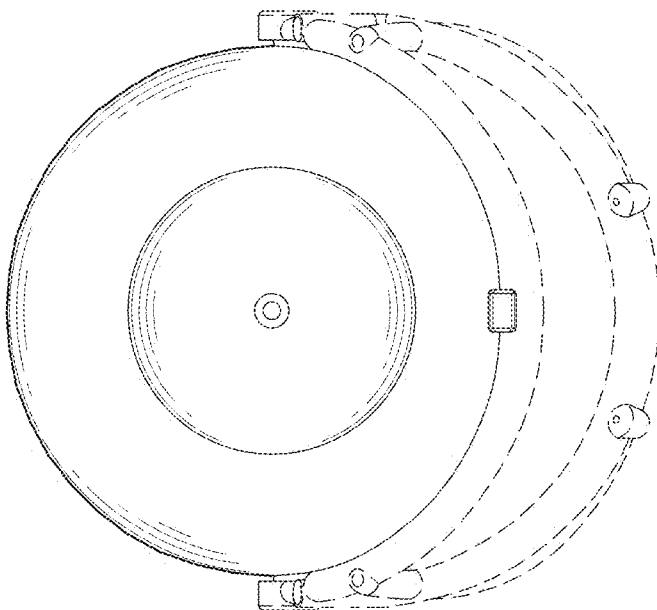


FIG. 12