



US00D821286S

(12) **United States Design Patent**
Zhao

(10) **Patent No.:** **US D821,286 S**

(45) **Date of Patent:** **** Jun. 26, 2018**

- (54) **AUTOMOBILE WHEEL**
- (71) Applicant: **WAH HUNG GROUP INC.**, Monterey Park, CA (US)
- (72) Inventor: **John Zhao**, Monterey Park, CA (US)
- (73) Assignee: **Wah Hung Group, Inc.**, Monterey park, CA (US)
- (**) Term: **15 Years**

D722,547 S *	2/2015	Zhao	D12/211
D726,621 S	4/2015	Alfonso		
D731,391 S *	6/2015	Zhao	D12/211
D736,689 S *	8/2015	Lemke	D12/211
D744,929 S *	12/2015	Zhao	D12/211
D744,930 S *	12/2015	Chung	D12/211
D758,947 S *	6/2016	Zhao	D12/211
D763,766 S *	8/2016	Alfonso	D12/211
D775,051 S *	12/2016	Alfonso	D12/211
D784,235 S *	4/2017	Kim	D12/211
D788,008 S *	5/2017	Zhao	D12/211

- (21) Appl. No.: **29/554,478**
- (22) Filed: **Feb. 11, 2016**
- (51) **LOC (11) Cl.** **12-16**
- (52) **U.S. Cl.**
USPC **D12/211**
- (58) **Field of Classification Search**
USPC D12/204–213
CPC B60B 7/00; B60B 7/02; B60B 7/04; B60B 7/01; B60B 7/06; B60B 3/02; B60B 3/04; B60B 3/06; B60B 3/10; B60B 1/00; B60B 1/08; B60B 1/10; B60B 1/12
See application file for complete search history.

OTHER PUBLICATIONS

Search Results for IN/ernie and IN/alfonso on Dec. 21 2014.
 Search results of IN/john and TTL/wheel and IN/zhao on Feb. 10, 2016.
 U.S. Appl. No. 29/508,262, Ernie Alfonso, filed Apr. 11, 2014.
 U.S. Appl. No. 29/508,262, Ernie Alfonso, filed Nov. 4, 2014.
 U.S. Appl. No. 29/508,266, Ernie Alfonso, filed Nov. 4, 2014.

(Continued)

Primary Examiner — George D. Kirschbaum
 (74) *Attorney, Agent, or Firm* — Payam Moradian

(57) **CLAIM**

I claim the ornamental design for an automobile wheel, as shown and described.

(56) **References Cited**

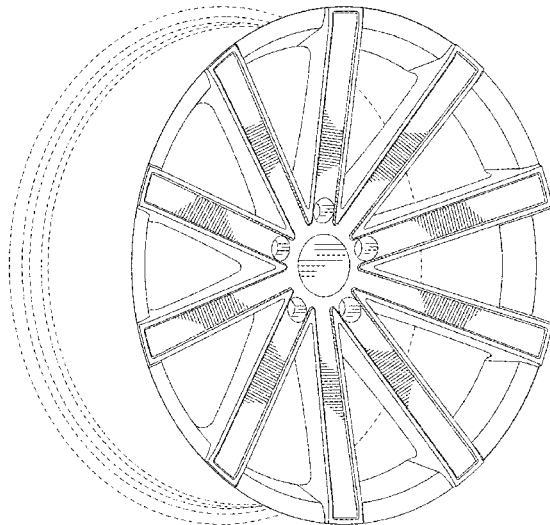
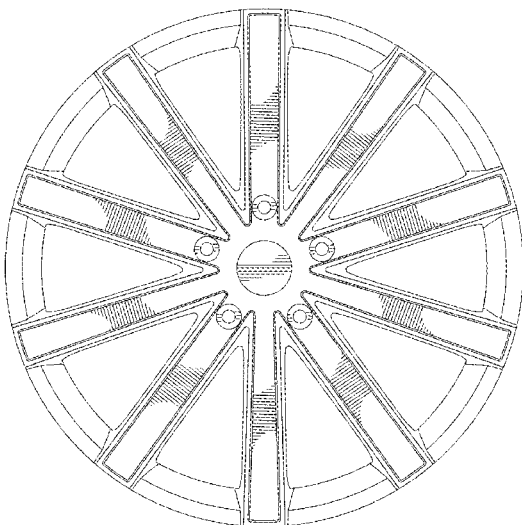
U.S. PATENT DOCUMENTS

D344,924 S *	3/1994	Braungart	D12/211
D487,569 S *	3/2004	Laengerer	D12/211
D529,854 S *	10/2006	Scheu	D12/211
D560,589 S *	1/2008	Celik	D12/211
D590,320 S *	4/2009	Scheu	D12/211
D623,116 S *	9/2010	Zhao	D12/211
D626,489 S *	11/2010	Laengerer	D12/211
D638,765 S *	5/2011	Yoon	D12/211
D655,233 S *	3/2012	Alfonso	D12/211
D682,181 S *	5/2013	Zhao	D12/211
D684,915 S *	6/2013	Zhao	D12/211
D685,312 S *	7/2013	Zhao	D12/211
D715,721 S *	10/2014	Chung	D12/211

DESCRIPTION

FIG. 1 is a front view of an automobile wheel, showing my new design;
 FIG. 2 is a perspective view thereof;
 FIG. 3 is a front view of a second embodiment of an automobile wheel, showing my new design; and,
 FIG. 4 is a perspective view of FIG. 3.
 The broken line showing of the rear of the rim is included for the purpose of illustrating environmental subject matter and forms no part of the claimed design.

1 Claim, 4 Drawing Sheets



(56)

References Cited

OTHER PUBLICATIONS

U.S. Appl. No. 29/508,268, Ernie Alfonso, filed Nov. 4, 2014.
U.S. Appl. No. 29/508,270, Ernie Alfonso, filed Nov. 4, 2014.
U.S. Appl. No. 29/508,271, Ernie Alfonso, filed Nov. 4, 2014.
U.S. Appl. No. 29/544,270, filed Nov. 2, 2015, Ernie Alfonso.
U.S. Appl. No. 29/544,262, filed Feb. 2, 2015, Ernie Alfonso.
U.S. Appl. No. 29/544,267, filed Feb. 2, 2015, Ernie Alfonso.
U.S. Appl. No. 29/544,268, filed Nov. 2, 2015, Ernie Alfonso.
U.S. Appl. No. 29/544,272, filed Nov. 2, 2015, Ernie Alfonso.

* cited by examiner

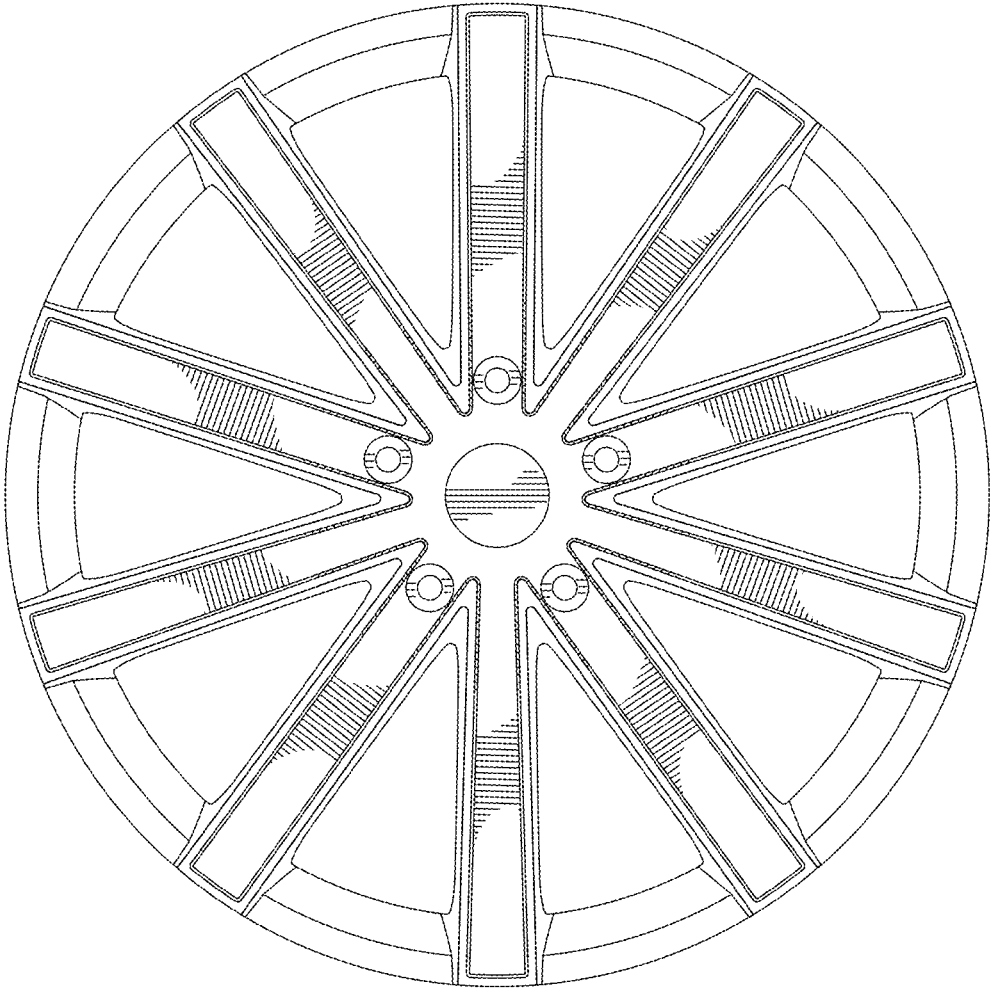


FIG. 1

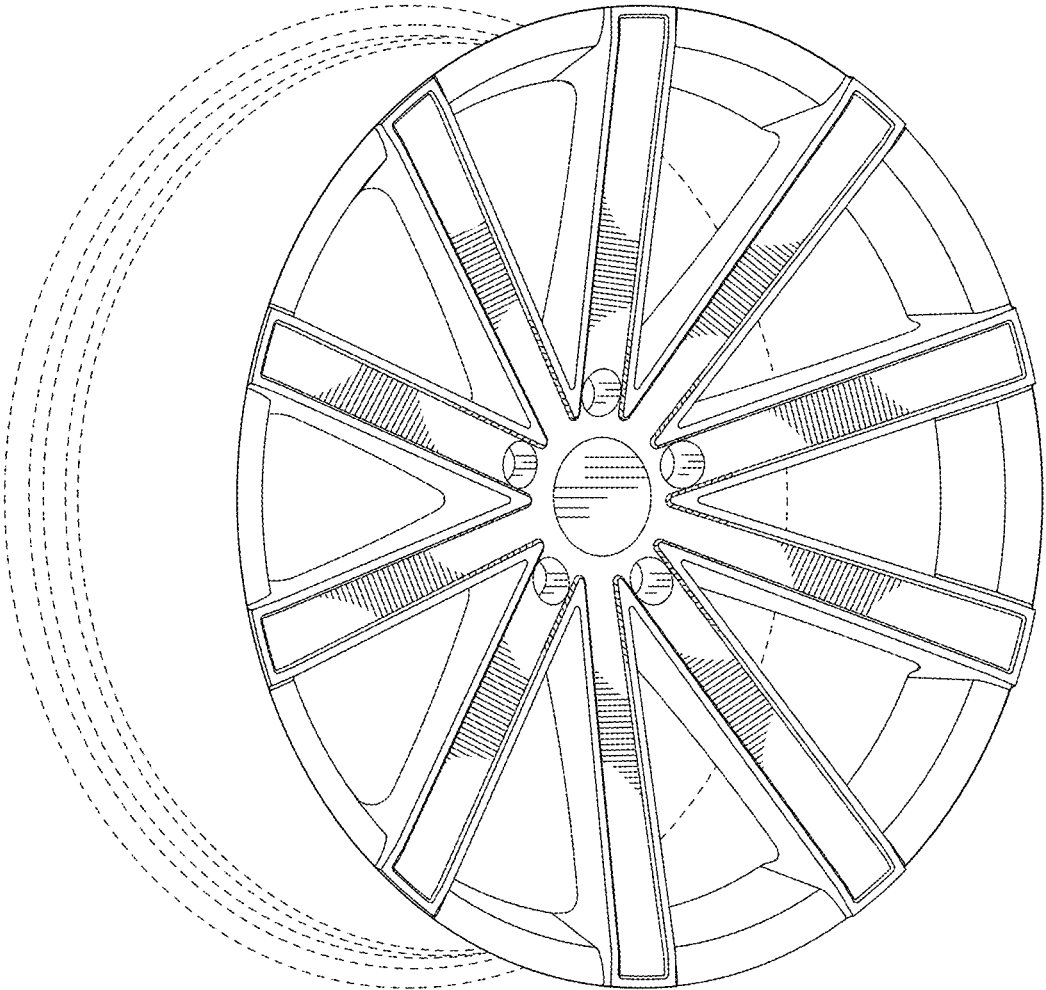


FIG.2

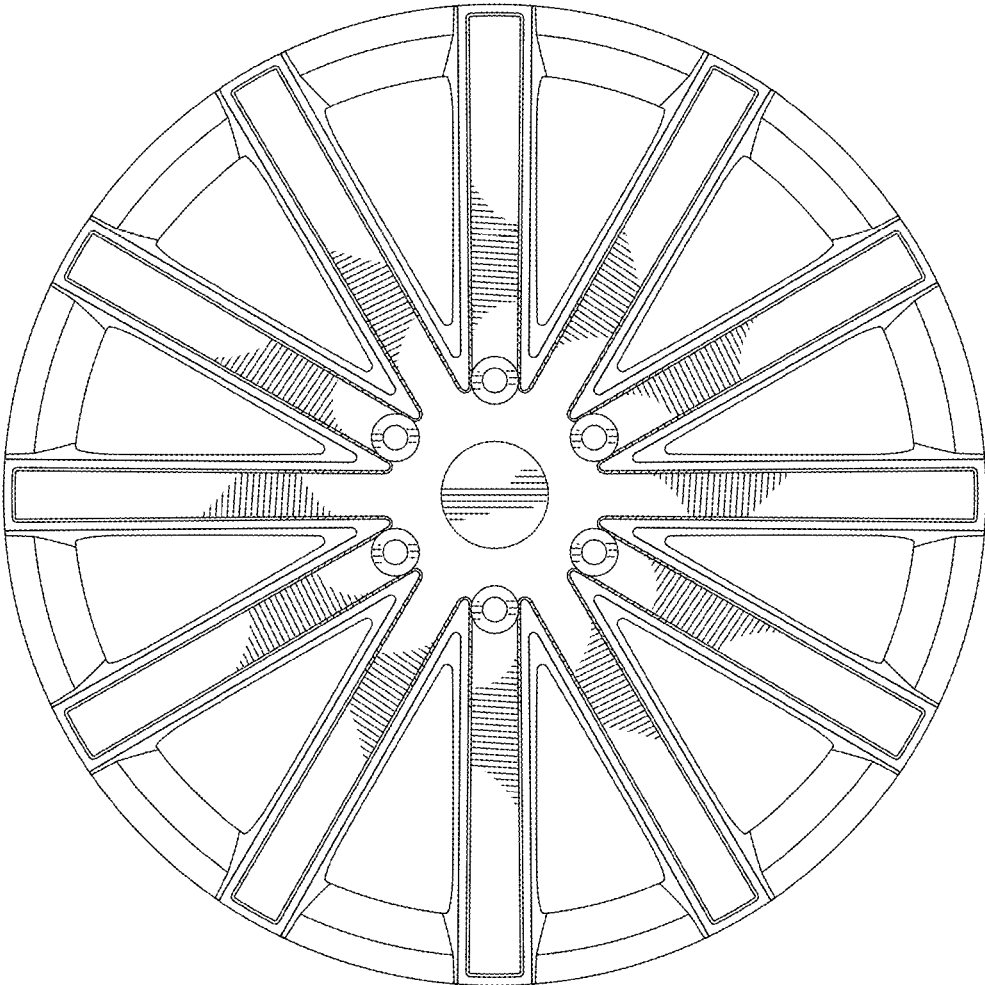


FIG. 3

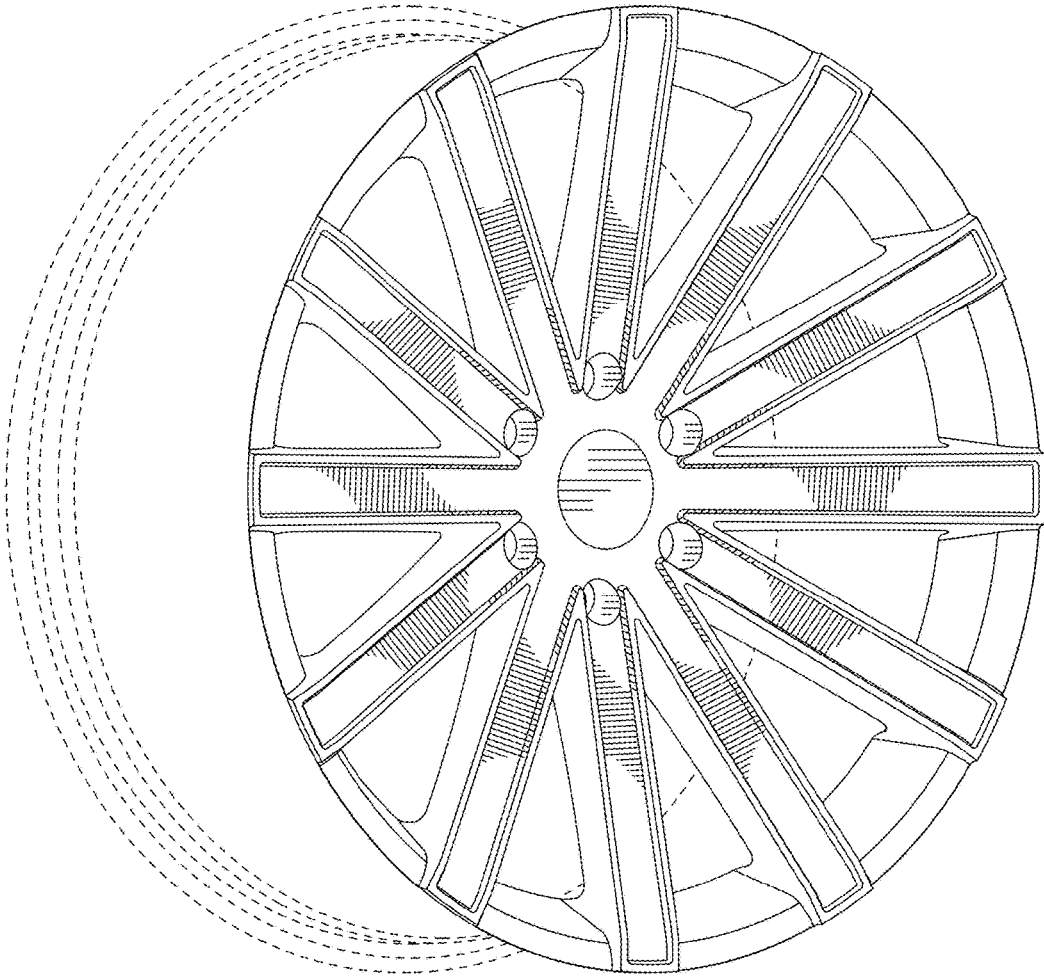


FIG. 4