

(19) World Intellectual Property Organization
International Bureau



(43) International Publication Date
29 November 2007 (29.11.2007)

PCT

(10) International Publication Number
WO 2007/135609 A3

- (51) International Patent Classification:
G06T 7/00 (2006.01)
- (21) International Application Number:
PCT/IB2007/051800
- (22) International Filing Date: 11 May 2007 (11.05.2007)
- (25) Filing Language: English
- (26) Publication Language: English
- (30) Priority Data:
60/802,936 24 May 2006 (24.05.2006) US
60/870,924 20 December 2006 (20.12.2006) US
- (71) Applicant (for all designated States except US): **KONINKLIJKE PHILIPS ELECTRONICS, N.V.** [NL/NL];
Groenewoudseweg 1, NL-5621 BA Eindhoven (NL).
- (72) Inventor; and
- (75) Inventor/Applicant (for US only): **KRUEKER, Jochen** [DE/US]; P.O. Box 3001, 345 Scarborough Road, Briarcliff Manor, New York 10510-8001 (US).
- (74) Common Representative: **KONINKLIJKE PHILIPS ELECTRONICS, N.V.**; c/o Yan Glickberg, P.O. Box 3001, Scarborough Road, Briarcliff Manor, New York 10510-8001 (US).

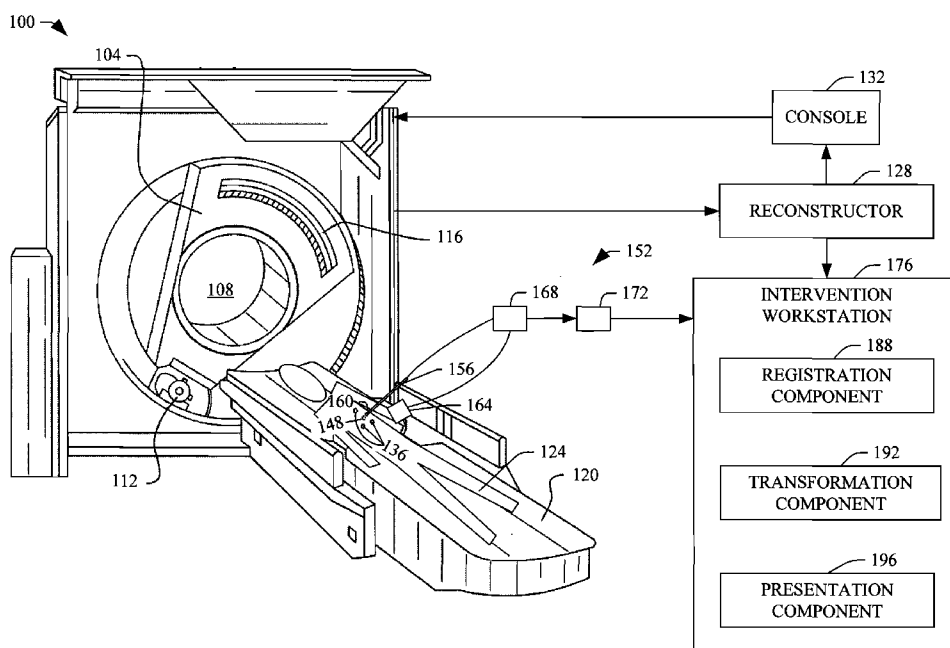
- (81) Designated States (unless otherwise indicated, for every kind of national protection available): AE, AG, AL, AM, AT, AU, AZ, BA, BB, BG, BH, BR, BW, BY, BZ, CA, CH, CN, CO, CR, CU, CZ, DE, DK, DM, DZ, EC, EE, EG, ES, FI, GB, GD, GE, GH, GM, GT, HN, HR, HU, ID, IL, IN, IS, JP, KE, KG, KM, KN, KP, KR, KZ, LA, LC, LK, LR, LS, LT, LU, LY, MA, MD, MG, MK, MN, MW, MX, MY, MZ, NA, NG, NI, NO, NZ, OM, PG, PH, PL, PT, RO, RS, RU, SC, SD, SE, SG, SK, SL, SM, SV, SY, TJ, TM, TN, TR, TT, TZ, UA, UG, US, UZ, VC, VN, ZA, ZM, ZW.
- (84) Designated States (unless otherwise indicated, for every kind of regional protection available): ARIPO (BW, GH, GM, KE, LS, MW, MZ, NA, SD, SL, SZ, TZ, UG, ZM, ZW), Eurasian (AM, AZ, BY, KG, KZ, MD, RU, TJ, TM), European (AT, BE, BG, CH, CY, CZ, DE, DK, EE, ES, FI, FR, GB, GR, HU, IE, IS, IT, LT, LU, LV, MC, MT, NL, PL, PT, RO, SE, SI, SK, TR), OAPI (BF, BJ, CF, CG, CI, CM, GA, GN, GQ, GW, ML, MR, NE, SN, TD, TG).

Declarations under Rule 4.17:

- as to applicant's entitlement to apply for and be granted a patent (Rule 4.17(ii))
- as to the applicant's entitlement to claim the priority of the earlier application (Rule 4.17(iii))

[Continued on next page]

(54) Title: COORDINATE SYSTEM REGISTRATION



(57) Abstract: A system includes a component that updates a registration between an image space coordinate system and an interventional space coordinate system based on interventional device position information within a patient obtained from intermediate image data indicative of the interventional device location and a position sensor (160) that is located on an interventional device (156) within the patient.

WO 2007/135609 A3



Published:

— *with international search report*

(88) Date of publication of the international search report:

16 October 2008

INTERNATIONAL SEARCH REPORT

International application No
PCT/IB2007/051800

A. CLASSIFICATION OF SUBJECT MATTER
INV. G06T7/00

According to International Patent Classification (IPC) or to both national classification and IPC

B. FIELDS SEARCHED

Minimum documentation searched (classification system followed by classification symbols)
G06T

Documentation searched other than minimum documentation to the extent that such documents are included in the fields searched

Electronic data base consulted during the international search (name of data base and, where practical, search terms used)

EPO-Internal, WPI Data, INSPEC

C. DOCUMENTS CONSIDERED TO BE RELEVANT

| Category* | Citation of document, with indication, where appropriate, of the relevant passages | Relevant to claim No. |
|-----------|---|-----------------------|
| X | EP 0 908 146 A (GEN ELECTRIC [US]) 14 April 1999 (1999-04-14) paragraph [0052]; figure 1 ----- | 1-27 |

Further documents are listed in the continuation of Box C.

See patent family annex.

- * Special categories of cited documents :
- *A* document defining the general state of the art which is not considered to be of particular relevance
 - *E* earlier document but published on or after the international filing date
 - *L* document which may throw doubts on priority claim(s) or which is cited to establish the publication date of another citation or other special reason (as specified)
 - *O* document referring to an oral disclosure, use, exhibition or other means
 - *P* document published prior to the international filing date but later than the priority date claimed
 - *T* later document published after the international filing date or priority date and not in conflict with the application but cited to understand the principle or theory underlying the invention
 - *X* document of particular relevance; the claimed invention cannot be considered novel or cannot be considered to involve an inventive step when the document is taken alone
 - *Y* document of particular relevance; the claimed invention cannot be considered to involve an inventive step when the document is combined with one or more other such documents, such combination being obvious to a person skilled in the art.
 - * & * document member of the same patent family

| | |
|--|---|
| Date of the actual completion of the international search 27 June 2008 | Date of mailing of the international search report 08/07/2008 |
|--|---|

| | |
|---|--|
| Name and mailing address of the ISA/ European Patent Office, P.B. 5818 Patentlaan 2 NL - 2280 HV Rijswijk Tel. (+31-70) 340-2040, Tx. 31 651 epo nl, Fax: (+31-70) 340-3016 | Authorized officer <p style="text-align: center; font-size: 1.2em;">Kulak, Eray</p> |
|---|--|

INTERNATIONAL SEARCH REPORT

Information on patent family members

International application No

PCT/IB2007/051800

| Patent document cited in search report | | Publication date | Patent family member(s) | | Publication date |
|--|---|------------------|-------------------------|-------------|------------------|
| EP 0908146 | A | 14-04-1999 | DE | 69821072 D1 | 19-02-2004 |
| | | | DE | 69821072 T2 | 28-10-2004 |
| | | | JP | 11169351 A | 29-06-1999 |
| | | | US | 5978696 A | 02-11-1999 |
