



US0D1006533S

(12) **United States Design Patent**  
**Chen**

(10) **Patent No.:** **US D1,006,533 S**

(45) **Date of Patent:** **\*\* Dec. 5, 2023**

(54) **SEALING COVER**

(71) Applicant: **Yung-Wen Chen**, Xinbei (TW)

(72) Inventor: **Yung-Wen Chen**, Xinbei (TW)

(\*\*) Term: **15 Years**

(21) Appl. No.: **29/709,998**

(22) Filed: **Oct. 18, 2019**

(51) **LOC (14) Cl.** ..... **07-02**

(52) **U.S. Cl.**  
USPC ..... **D7/392**

(58) **Field of Classification Search**  
USPC ..... D7/392, 392.1, 354, 396.1, 511, 538,  
D7/542, 602, 629  
CPC ..... A47J 36/027; A47J 36/06; A47J 37/10;  
A47J 37/101  
See application file for complete search history.

(56) **References Cited**

**U.S. PATENT DOCUMENTS**

D233,115 S *	10/1974	Christian et al.	.....	D7/392.1
3,981,401 A *	9/1976	Blanchard	.....	B65D 43/0222
				206/508
D245,564 S *	8/1977	Blanchard	.....	D7/392.1
4,290,546 A *	9/1981	Kanaga	.....	A47G 19/26
				229/125.36

D274,030 S *	5/1984	Daenen	.....	D7/391
D277,252 S *	1/1985	Gulotta	.....	D7/391
D289,719 S *	5/1987	Daenen	.....	D7/392.1
D540,669 S *	4/2007	George	.....	D7/392.1
D688,091 S *	8/2013	Golota	.....	D9/435
D801,110 S *	10/2017	Sarnoff	.....	D7/391
D811,813 S *	3/2018	Sarnoff	.....	D7/392.1
D885,122 S *	5/2020	Bull	.....	D7/391
D897,841 S *	10/2020	Samartgis	.....	D7/392.1
D972,880 S *	12/2022	Glupker	.....	D7/391

\* cited by examiner

*Primary Examiner* — S. Bryan Reinholdt, Jr.

(74) *Attorney, Agent, or Firm* — Wang Law Firm, Inc.

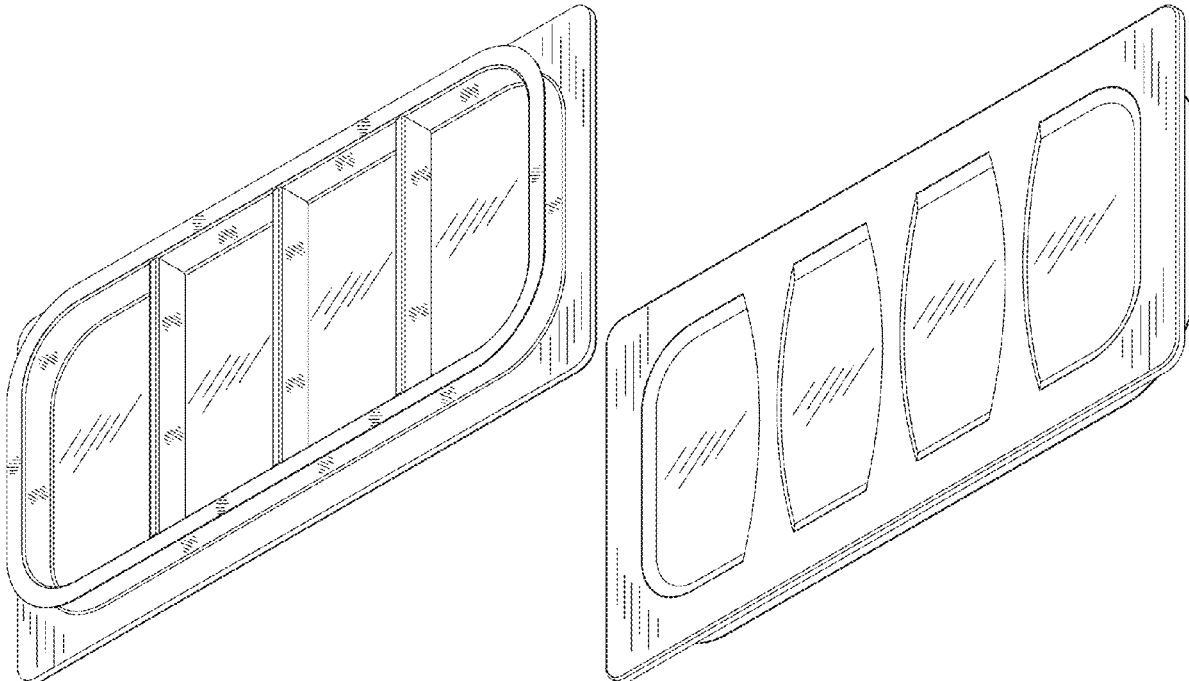
(57) **CLAIM**

The ornamental design for a sealing cover, as shown and described.

**DESCRIPTION**

FIG. 1 is a bottom perspective view of a sealing cover showing my new design;  
 FIG. 2 is a top perspective view thereof;  
 FIG. 3 is a frontal view thereof;  
 FIG. 4 is a bottom view thereof;  
 FIG. 5 is a right view thereof;  
 FIG. 6 is a left view thereof;  
 FIG. 7 is a top view thereof; and,  
 FIG. 8 is a rear view thereof.

**1 Claim, 4 Drawing Sheets**



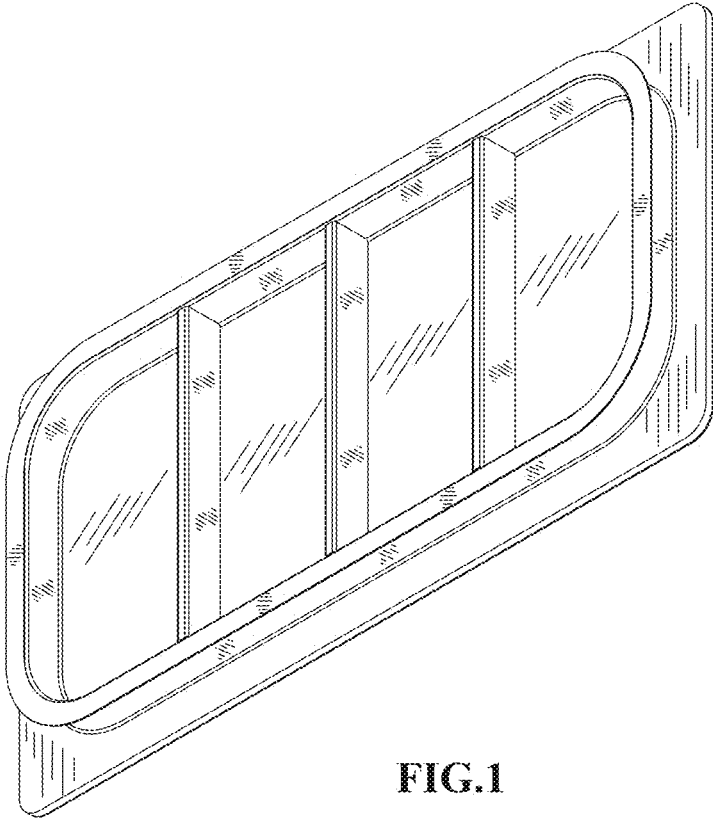


FIG.1

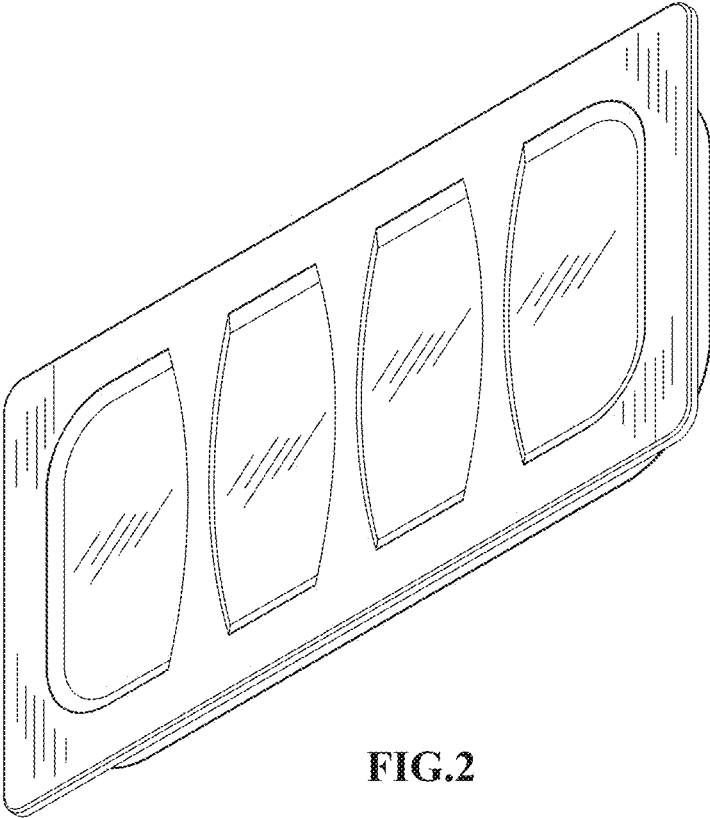


FIG. 2

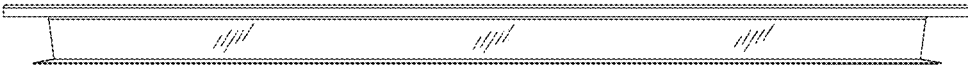


FIG.3

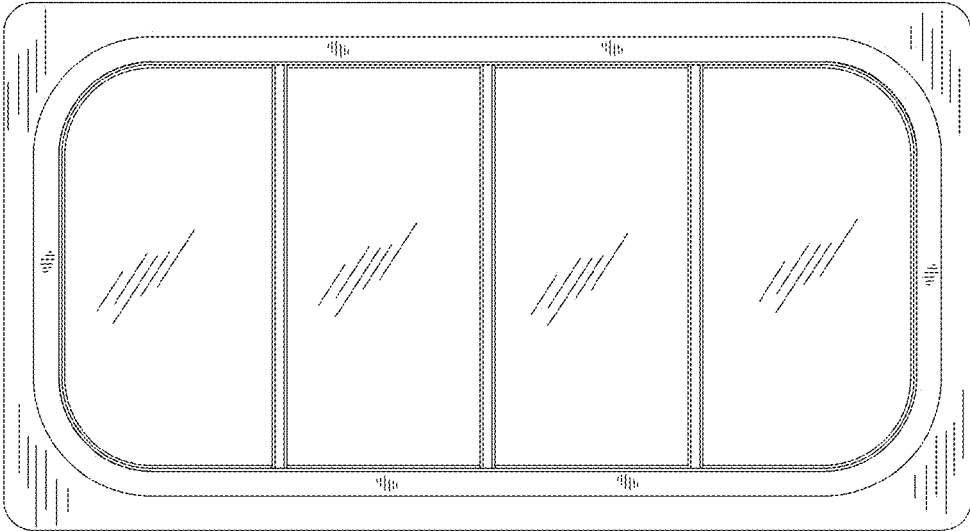


FIG.4



FIG.5

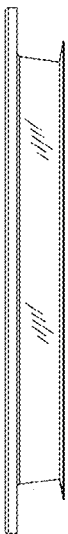


FIG. 6

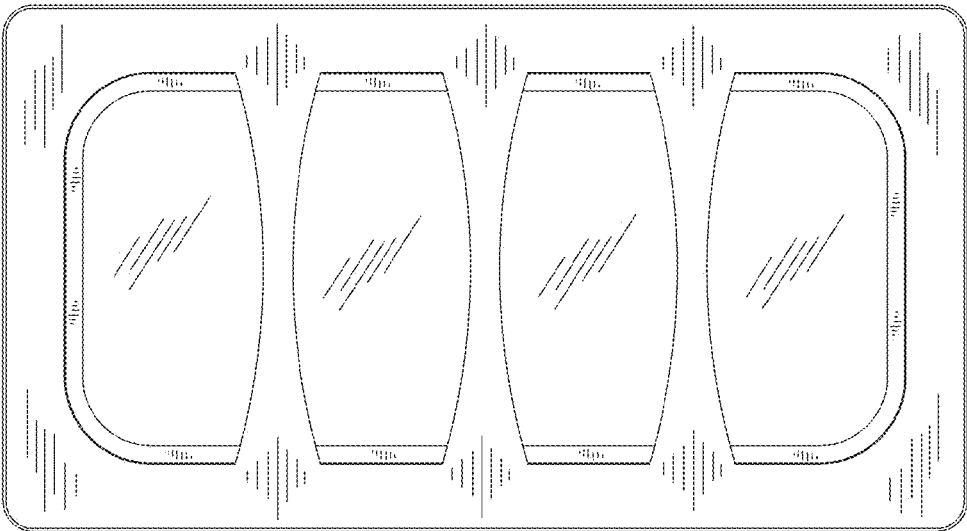


FIG. 7

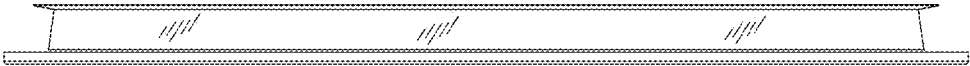


FIG. 8