



(51) International Patent Classification:

F03D 9/02 (2006.01) F16C 15/00 (2006.01)  
F03G 3/08 (2006.01) H02J 15/00 (2006.01)

(21) International Application Number:

PCT/NL2009/000248

(22) International Filing Date:

9 December 2009 (09.12.2009)

(25) Filing Language:

English

(26) Publication Language:

English

(30) Priority Data:

0858418 9 December 2008 (09.12.2008) FR

(71) Applicant (for all designated States except US): ROUCAR GEAR TECHNOLOGIES B.V. [NL/NL]; 45, Herenstraat, NL-3431 CW Nieuwegein (NL).

(72) Inventors; and

(75) Inventors/Applicants (for US only): ANTONOV, Roumen [FR/FR]; 168, Boulevard Saint Germain, F-75006 Paris (FR). VRIES, Carl Maria de [NL/NL]; 45, Herenstraat, NL-3431 CW Nieuwegein (NL).

(74) Agent: VOLMER, J.C.; Exter Polak & Charlouis B.V., P.O. Box 3241, NL-2280 Ge Rijswijk (NL).

(81) Designated States (unless otherwise indicated, for every kind of national protection available): AE, AG, AL, AM,

AO, AT, AU, AZ, BA, BB, BG, BH, BR, BW, BY, BZ, CA, CH, CL, CN, CO, CR, CU, CZ, DE, DK, DM, DO, DZ, EC, EE, EG, ES, FI, GB, GD, GE, GH, GM, GT, HN, HR, HU, ID, IL, IN, IS, JP, KE, KG, KM, KN, KP, KR, KZ, LA, LC, LK, LR, LS, LT, LU, LY, MA, MD, ME, MG, MK, MN, MW, MX, MY, MZ, NA, NG, NI, NO, NZ, OM, PE, PG, PH, PL, PT, RO, RS, RU, SC, SD, SE, SG, SK, SL, SM, ST, SV, SY, TJ, TM, TN, TR, TT, TZ, UA, UG, US, UZ, VC, VN, ZA, ZM, ZW.

(84) Designated States (unless otherwise indicated, for every kind of regional protection available): ARIPO (BW, GH, GM, KE, LS, MW, MZ, NA, SD, SL, SZ, TZ, UG, ZM, ZW), Eurasian (AM, AZ, BY, KG, KZ, MD, RU, TJ, TM), European (AT, BE, BG, CH, CY, CZ, DE, DK, EE, ES, FI, FR, GB, GR, HR, HU, IE, IS, IT, LT, LU, LV, MC, MK, MT, NL, NO, PL, PT, RO, SE, SI, SK, SM, TR), OAPI (BF, BJ, CF, CG, CI, CM, GA, GN, GQ, GW, ML, MR, NE, SN, TD, TG).

Published:

- with international search report (Art. 21(3))
- before the expiration of the time limit for amending the claims and to be republished in the event of receipt of amendments (Rule 48.2(h))

(88) Date of publication of the international search report:

27 January 2011

(54) Title: INERTIAL ENERGY ACCUMULATING DEVICE

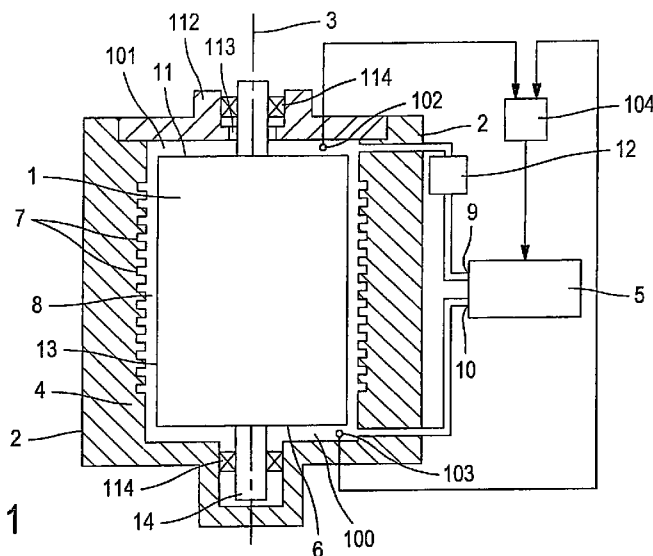


FIG. 1

(57) Abstract: Inertial energy accumulation device comprising a frame (2) and at least one flywheel (1) mounted so that it can rotate relative to the frame (2) about an axis of rotation (3), means for exposing at least one face (6) of the flywheel to a gas pressure which, by comparison with the pressure applied to a substantially opposite face (11), generates an upward differential pressure force that at least partially compensates for the weight of the flywheel (1).



**INTERNATIONAL SEARCH REPORT**

International application No <b>PCT/NL2009/000248</b>
--

**A. CLASSIFICATION OF SUBJECT MATTER**  
**INV.** F03D9/02      F03G3/08      F16C15/00      H02J15/00  
**ADD.**

According to International Patent Classification (IPC) or to both national classification and IPC

**B. FIELDS SEARCHED**  
 Minimum documentation searched (classification system followed by classification symbols)  
**F03D F03G F16C H02J**

Documentation searched other than minimum documentation to the extent that such documents are included in the fields searched

Electronic data base consulted during the international search (name of data base and, where practical, search terms used)  
**EPO-Internal**

**C. DOCUMENTS CONSIDERED TO BE RELEVANT**

Category*	Citation of document, with indication, where appropriate, of the relevant passages	Relevant to claim No.
X	US 4 206 608 A (BELL THOMAS J [US]) 10 June 1980 (1980-06-10) * abstract figures 1,5,6 column 6, line 54 - column 7, line 40	1-25
A	FR 2 874 669 A (APELOIG YVES ROBERT [FR]) 3 March 2006 (2006-03-03) the whole document	1-25
A	US 2007/024058 A1 (MCCLINTIC FRANK J [US]) MCCLINTIC FRANK [US] 1 February 2007 (2007-02-01) the whole document	1-25
A	US 2005/138929 A1 (ENIS BEN M [US] ET AL) 30 June 2005 (2005-06-30) the whole document	1-25

Further documents are listed in the continuation of Box C.       See patent family annex.

\* Special categories of cited documents :

"A" document defining the general state of the art which is not considered to be of particular relevance	"T" later document published after the international filing date or priority date and not in conflict with the application but cited to understand the principle or theory underlying the invention
"E" earlier document but published on or after the international filing date	"X" document of particular relevance; the claimed invention cannot be considered novel or cannot be considered to involve an inventive step when the document is taken alone
"L" document which may throw doubts on priority claim(s) or which is cited to establish the publication date of another citation or other special reason (as specified)	"Y" document of particular relevance; the claimed invention cannot be considered to involve an inventive step when the document is combined with one or more other such documents, such combination being obvious to a person skilled in the art.
"O" document referring to an oral disclosure, use, exhibition or other means	"&" document member of the same patent family
"P" document published prior to the international filing date but later than the priority date claimed	

Date of the actual completion of the international search <b>2 December 2010</b>	Date of mailing of the international search report <b>09/12/2010</b>
---	---

Name and mailing address of the ISA/ European Patent Office, P.B. 5818 Patentlaan 2 NL - 2280 HV Rijswijk Tel. (+31-70) 340-2040, Fax: (+31-70) 340-3016	Authorized officer  <b>Giorgini, Gabriele</b>
--	---

# INTERNATIONAL SEARCH REPORT

Information on patent family members

International application No <b>PCT/NL2009/000248</b>
--

Patent document cited in search report	Publication date	Patent family member(s)	Publication date																																				
US 4206608	A	10-06-1980	NONE																																				
FR 2874669	A	03-03-2006	NONE																																				
US 2007024058	A1	01-02-2007	<table style="width: 100%; border-collapse: collapse;"> <tr> <td style="width: 10%;">AU</td> <td style="width: 40%;">2006275926</td> <td style="width: 10%;">A1</td> <td style="width: 30%;">08-02-2007</td> </tr> <tr> <td>CA</td> <td>2616340</td> <td>A1</td> <td>08-02-2007</td> </tr> <tr> <td>CN</td> <td>101268275</td> <td>A</td> <td>17-09-2008</td> </tr> <tr> <td>EP</td> <td>1915529</td> <td>A2</td> <td>30-04-2008</td> </tr> <tr> <td>JP</td> <td>2009503339</td> <td>T</td> <td>29-01-2009</td> </tr> <tr> <td>US</td> <td>2009058095</td> <td>A1</td> <td>05-03-2009</td> </tr> <tr> <td>US</td> <td>2007138798</td> <td>A1</td> <td>21-06-2007</td> </tr> <tr> <td>WO</td> <td>2007016120</td> <td>A2</td> <td>08-02-2007</td> </tr> </table>	AU	2006275926	A1	08-02-2007	CA	2616340	A1	08-02-2007	CN	101268275	A	17-09-2008	EP	1915529	A2	30-04-2008	JP	2009503339	T	29-01-2009	US	2009058095	A1	05-03-2009	US	2007138798	A1	21-06-2007	WO	2007016120	A2	08-02-2007				
AU	2006275926	A1	08-02-2007																																				
CA	2616340	A1	08-02-2007																																				
CN	101268275	A	17-09-2008																																				
EP	1915529	A2	30-04-2008																																				
JP	2009503339	T	29-01-2009																																				
US	2009058095	A1	05-03-2009																																				
US	2007138798	A1	21-06-2007																																				
WO	2007016120	A2	08-02-2007																																				
US 2005138929	A1	30-06-2005	<table style="width: 100%; border-collapse: collapse;"> <tr> <td style="width: 10%;">AU</td> <td style="width: 40%;">2004307466</td> <td style="width: 10%;">A1</td> <td style="width: 30%;">06-05-2005</td> </tr> <tr> <td>BR</td> <td>PI0415919</td> <td>A</td> <td>26-12-2006</td> </tr> <tr> <td>CA</td> <td>2544134</td> <td>A1</td> <td>06-05-2005</td> </tr> <tr> <td>CN</td> <td>1910067</td> <td>A</td> <td>07-02-2007</td> </tr> <tr> <td>EP</td> <td>1687863</td> <td>A2</td> <td>09-08-2006</td> </tr> <tr> <td>JP</td> <td>2007510399</td> <td>T</td> <td>19-04-2007</td> </tr> <tr> <td>NZ</td> <td>547411</td> <td>A</td> <td>28-03-2008</td> </tr> <tr> <td>WO</td> <td>2005041326</td> <td>A2</td> <td>06-05-2005</td> </tr> <tr> <td>ZA</td> <td>200604302</td> <td>A</td> <td>27-12-2007</td> </tr> </table>	AU	2004307466	A1	06-05-2005	BR	PI0415919	A	26-12-2006	CA	2544134	A1	06-05-2005	CN	1910067	A	07-02-2007	EP	1687863	A2	09-08-2006	JP	2007510399	T	19-04-2007	NZ	547411	A	28-03-2008	WO	2005041326	A2	06-05-2005	ZA	200604302	A	27-12-2007
AU	2004307466	A1	06-05-2005																																				
BR	PI0415919	A	26-12-2006																																				
CA	2544134	A1	06-05-2005																																				
CN	1910067	A	07-02-2007																																				
EP	1687863	A2	09-08-2006																																				
JP	2007510399	T	19-04-2007																																				
NZ	547411	A	28-03-2008																																				
WO	2005041326	A2	06-05-2005																																				
ZA	200604302	A	27-12-2007																																				