



(12) **United States Design Patent** (10) **Patent No.:** **US D856,436 S**  
**Johnson et al.** (45) **Date of Patent:** **\*\* Aug. 13, 2019**

(54) **TOY VEHICLE TRACK COUPLER**

(71) Applicant: **Mattel, Inc.**, El Segundo, CA (US)

(72) Inventors: **Paul David Johnson**, New York, NY (US); **Katherine Ellen Powers**, New York, NY (US); **Natalie Louise Miliano**, Brooklyn, NY (US)

(73) Assignee: **Mattel, Inc.**, El Segundo, CA (US)

(\*\*) Term: **15 Years**

(21) Appl. No.: **29/677,553**

(22) Filed: **Jan. 22, 2019**

D248,887 S \* 8/1978 Tanaka ..... D21/564  
 4,106,695 A 8/1978 Carella et al.  
 4,231,517 A 11/1980 Cheng  
 D296,804 S \* 7/1988 Bach ..... D21/565  
 D296,806 S \* 7/1988 Bach ..... D21/565  
 4,898,326 A 2/1990 Edwards et al.  
 4,997,187 A 3/1991 Smollar et al.  
 D344,306 S \* 2/1994 Ruskai ..... D21/565  
 D344,992 S \* 3/1994 Ruskai ..... D21/565  
 D412,949 S \* 8/1999 Nielsen ..... D21/493  
 D421,281 S \* 2/2000 Riley ..... D21/564  
 6,601,774 B1 8/2003 Kasimoff

(Continued)

*Primary Examiner* — Robin V Webster

*Assistant Examiner* — Keith J Wilson

(74) *Attorney, Agent, or Firm* — Edell, Shapiro & Finnan, LLC

**Related U.S. Application Data**

(62) Division of application No. 29/614,538, filed on Aug. 21, 2017, now Pat. No. Des. 844,072.

(51) **LOC (12) Cl.** ..... **21-01**

(52) **U.S. Cl.**  
 USPC ..... **D21/565**; D21/564

(58) **Field of Classification Search**

USPC ..... D21/484, 490, 493, 509, 564, 565, 802, D21/818, 821  
 CPC ..... A63H 19/24; A63H 19/28; A63H 19/30; A63H 19/32; A63H 19/36; A63H 21/00; A63H 21/02; A63H 21/04; A63H 18/00; A63H 18/02; A63H 18/021; A63H 18/025; A63H 18/028; A63H 18/04; A63H 18/06; A63H 18/16; E01B 23/00; E01B 23/02; E01B 23/04; E01B 23/06  
 See application file for complete search history.

(56) **References Cited**

U.S. PATENT DOCUMENTS

D203,937 S \* 3/1966 Dunbar ..... D21/564  
 D246,196 S \* 10/1977 Suzuki ..... D21/564  
 4,091,995 A 5/1978 Barlow et al.

(57) **CLAIM**

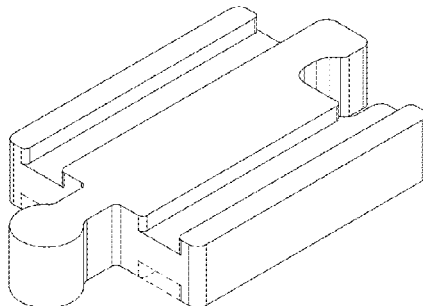
The ornamental design for a toy vehicle track coupler, as shown and described.

**DESCRIPTION**

FIG. 1 is a perspective view of a toy vehicle track coupler according to the present invention;  
 FIG. 2 is a top view of the toy vehicle track coupler of FIG. 1;  
 FIG. 3 is a bottom view of the toy vehicle track coupler of FIG. 1;  
 FIG. 4 is a left side view of the toy vehicle track coupler of FIG. 1;  
 FIG. 5 is a right side view of the toy vehicle track coupler of FIG. 1;  
 FIG. 6 is a front view of the toy vehicle track coupler of FIG. 1; and  
 FIG. 7 is a rear view of the toy vehicle track coupler of FIG. 1.

The broken lines shown in the figures are included for the purpose of illustrating the unclaimed portions of the article and form no part of the claimed design.

**1 Claim, 3 Drawing Sheets**





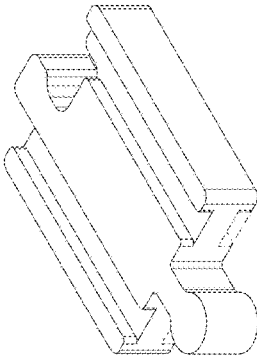


FIG.1

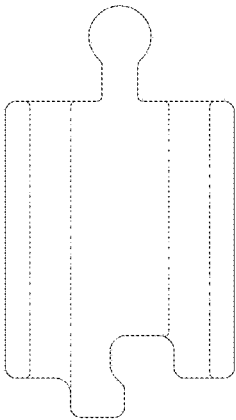


FIG. 3

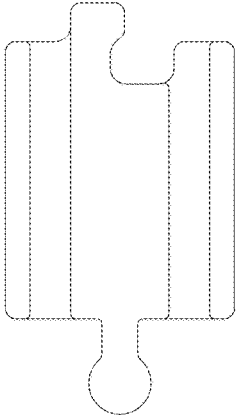


FIG. 2

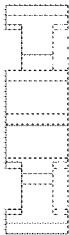


FIG.4



FIG.5



FIG.6



FIG.7