

(19) World Intellectual Property Organization
International Bureau



(43) International Publication Date
26 October 2006 (26.10.2006)

PCT

(10) International Publication Number
WO 2006/113232 A3

(51) International Patent Classification:
A47C 3/02 (2006.01)

(21) International Application Number:
PCT/US2006/013525

(22) International Filing Date: 12 April 2006 (12.04.2006)

(25) Filing Language: English

(26) Publication Language: English

(30) Priority Data:
60/670,791 13 April 2005 (13.04.2005) US

(71) Applicant: L & P PROPERTY MANAGEMENT COMPANY [US/US]; 4095 Firestone Boulevard, South Gate, California 90280 (US).

(72) Inventors: HALE, Kerry; 2908 Longview Road, Pontotoc, Mississippi 38863 (US). HALE, Carthel; 370 Hometown Lane, Pontotoc, Mississippi 38863 (US). BRYANT, Larry J.; 1867 Highway 336, Pontotoc, Mississippi 38863 (US). LAWSON, Gregory M.; 318 Road 995, Tupelo, Mississippi 38804 (US).

(74) Agents: WILLIAMS, Jeffrey B et al.; SHOOK, HARDY & BACON L.L.P., 2555 Grand Blvd., Kansas City, Missouri 64108-2613 (US).

(81) Designated States (unless otherwise indicated, for every kind of national protection available): AE, AG, AL, AM, AT, AU, AZ, BA, BB, BG, BR, BW, BY, BZ, CA, CH, CN, CO, CR, CU, CZ, DE, DK, DM, DZ, EC, EE, EG, ES, FI, GB, GD, GE, GH, GM, HR, HU, ID, IL, IN, IS, JP, KE, KG, KM, KN, KP, KR, KZ, LC, LK, LR, LS, LT, LU, LV, LY, MA, MD, MG, MK, MN, MW, MX, MZ, NA, NG, NI, NO, NZ, OM, PG, PH, PL, PT, RO, RU, SC, SD, SE, SG, SK, SL, SM, SY, TJ, TM, TN, TR, TT, TZ, UA, UG, UZ, VC, VN, YU, ZA, ZM, ZW.

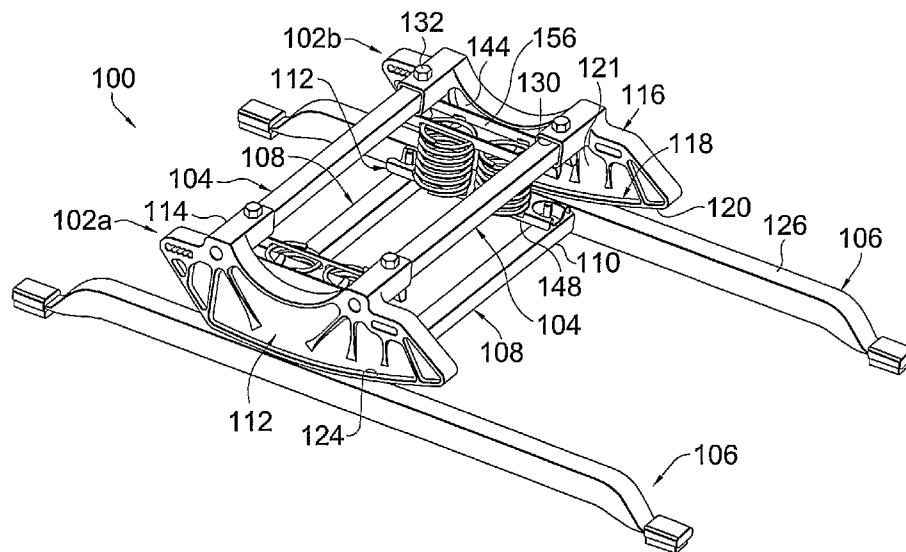
(84) Designated States (unless otherwise indicated, for every kind of regional protection available): ARIPO (BW, GH, GM, KE, LS, MW, MZ, NA, SD, SL, SZ, TZ, UG, ZM, ZW), Eurasian (AM, AZ, BY, KG, KZ, MD, RU, TJ, TM), European (AT, BE, BG, CH, CY, CZ, DE, DK, EE, ES, FI, FR, GB, GR, HU, IE, IS, IT, LT, LU, LV, MC, NL, PL, PT, RO, SE, SI, SK, TR), OAPI (BF, BJ, CF, CG, CI, CM, GA, GN, GQ, GW, ML, MR, NE, SN, TD, TG).

Published:
— with international search report

(88) Date of publication of the international search report:
31 May 2007

[Continued on next page]

(54) Title: UNITARY CAM FOR ROCKER-RECLINER BASE ASSEMBLY



(57) Abstract: A unitary composite cam member is designed for integration into a rocker chair base assembly. In one arrangement, one cam member resides upon each longitudinal rail of the rocker chair base assembly. Each cam member includes a rigid body and one or more laterally projecting sleeves. The rigid body has an upper portion as well as a lower contact surface presenting an arcuate longitudinal profile. The shape of the contact surface enables rolling engagement on a longitudinal rail of a rocker chair base assembly. Each projecting sleeve extends laterally from the rigid body at a location generally near the top of the cam member. The projecting sleeves are designed to provide an attachment point for cross members of a rocker chair base assembly to accomplish coupling together of the cam members with each aligned upon one of the longitudinal rails. Additionally, the projecting sleeves are configured for securing rocker spring assemblies directly therewith to provide improved efficiencies in the fabrication of rocker chair base assemblies.

WO 2006/113232 A3



For two-letter codes and other abbreviations, refer to the "Guidance Notes on Codes and Abbreviations" appearing at the beginning of each regular issue of the PCT Gazette.

INTERNATIONAL SEARCH REPORT

International application No.

PCT/US06/13525

A. CLASSIFICATION OF SUBJECT MATTER
 IPC: **A47C 3/02(2006.01)**

USPC: **297/272.1**
 According to International Patent Classification (IPC) or to both national classification and IPC

B. FIELDS SEARCHED

Minimum documentation searched (classification system followed by classification symbols)
 U.S. : 297/272.1, 271.6, 259.2, 258.1, Dig.7

Documentation searched other than minimum documentation to the extent that such documents are included in the fields searched

Electronic data base consulted during the international search (name of data base and, where practicable, search terms used)
 US-PGPUB, USPAT, EPO, JPO, DERWENT, IBM_TDB

C. DOCUMENTS CONSIDERED TO BE RELEVANT

Category *	Citation of document, with indication, where appropriate, of the relevant passages	Relevant to claim No.
X	US 6,918,632 B2 (MAKI et al.) 19 July 2005 (19.07.2005)	1,5,13,17
---		-----
Y		4,6,7,18,19
Y	US 6,000,750 A (ROSSMAN et al.) 14 December 1999 (14.12.1999)	4
Y	US 1,682,685 A (RODERY) 28 August 1928 (28.08.1928)	6,7,18,19

Further documents are listed in the continuation of Box C. See patent family annex.

* Special categories of cited documents:

"A"	document defining the general state of the art which is not considered to be of particular relevance	"T"	later document published after the international filing date or priority date and not in conflict with the application but cited to understand the principle or theory underlying the invention
"E"	earlier application or patent published on or after the international filing date	"X"	document of particular relevance; the claimed invention cannot be considered novel or cannot be considered to involve an inventive step when the document is taken alone
"L"	document which may throw doubts on priority claim(s) or which is cited to establish the publication date of another citation or other special reason (as specified)	"Y"	document of particular relevance; the claimed invention cannot be considered to involve an inventive step when the document is combined with one or more other such documents, such combination being obvious to a person skilled in the art
"O"	document referring to an oral disclosure, use, exhibition or other means	"&"	document member of the same patent family
"P"	document published prior to the international filing date but later than the priority date claimed		

Date of the actual completion of the international search 28 February 2007 (28.02.2007)	Date of mailing of the international search report 09 MAR 2007
Name and mailing address of the ISA/US Mail Stop PCT, Attn: ISA/US Commissioner for Patents P.O. Box 1450 Alexandria, Virginia 22313-1450 Facsimile No. (571) 273-3201	Authorized officer <i>for</i> Kenneth Dörner <i>Brown</i> Telephone No. 571-272-3600