



US00D463527S

(12) **United States Design Patent** (10) **Patent No.:** **US D463,527 S**
Guo (45) **Date of Patent:** **** Sep. 24, 2002**

(54) **SPRAYER GUN**

(76) Inventor: **Wen Li Guo**, No. 10, Fang Dong Road,
Wen Gin Tsuen, Fang Yuan Hsiang,
Chang Hua Hsien (TW), 528

(**) Term: **14 Years**

(21) Appl. No.: **29/149,628**

(22) Filed: **Oct. 15, 2001**

(51) **LOC (7) Cl.** **23-01**

(52) **U.S. Cl.** **D23/226**

(58) **Field of Search** D23/213, 223,
D23/226; 239/525, 526, 527, 459

(56) **References Cited**

U.S. PATENT DOCUMENTS

D183,070 S	*	6/1958	Stillson	D23/226
D376,839 S	*	12/1996	Hung	D23/226
D394,491 S	*	5/1998	Guo	D23/226
D441,424 S	*	5/2001	Guo	D23/226
D453,548 S	*	2/2002	Wang	D23/226
D454,619 S	*	3/2002	Wang	D23/226

* cited by examiner

Primary Examiner—Robin V. Taylor

(74) *Attorney, Agent, or Firm*—Charles E. Baxley

(57) **CLAIM**

The ornamental design for a sprayer gun, as shown and described.

DESCRIPTION

FIG. 1 is a perspective view of a sprayer gun showing my new design;

FIG. 2 is a front elevational view thereof;

FIG. 3 is a rear elevational view thereof;

FIG. 4 is a top plan view thereof;

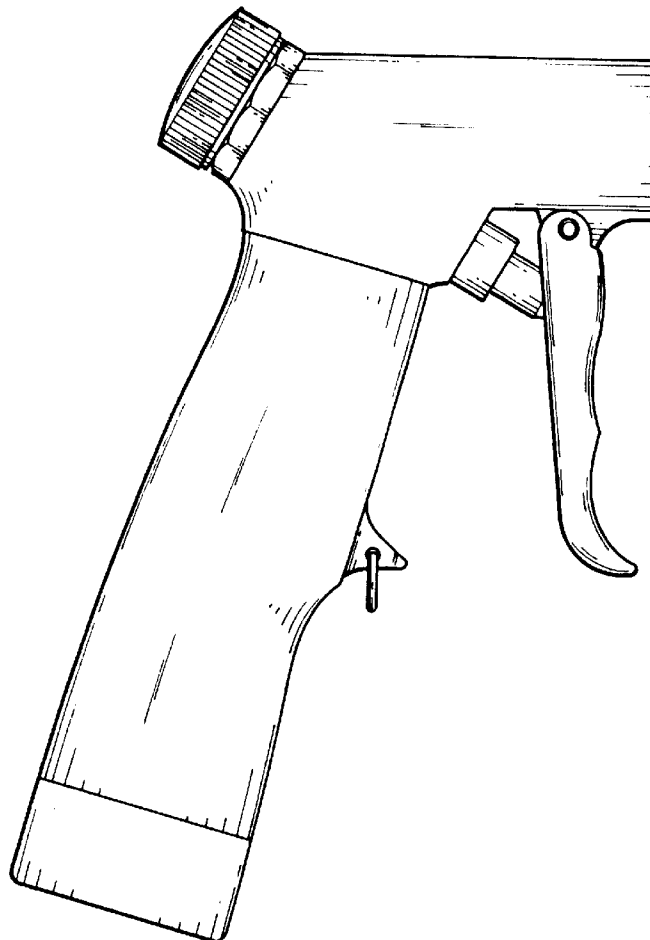
FIG. 5 is a bottom plan view thereof;

FIG. 6 is a left side elevational view thereof;

FIG. 7 is a right side elevational view thereof; and,

FIGS. 8 and 9 are perspective views thereof, the sprayer nozzles depicted by means of broken lines being for illustrative purposes only and forming no part of the claimed design.

1 Claim, 6 Drawing Sheets



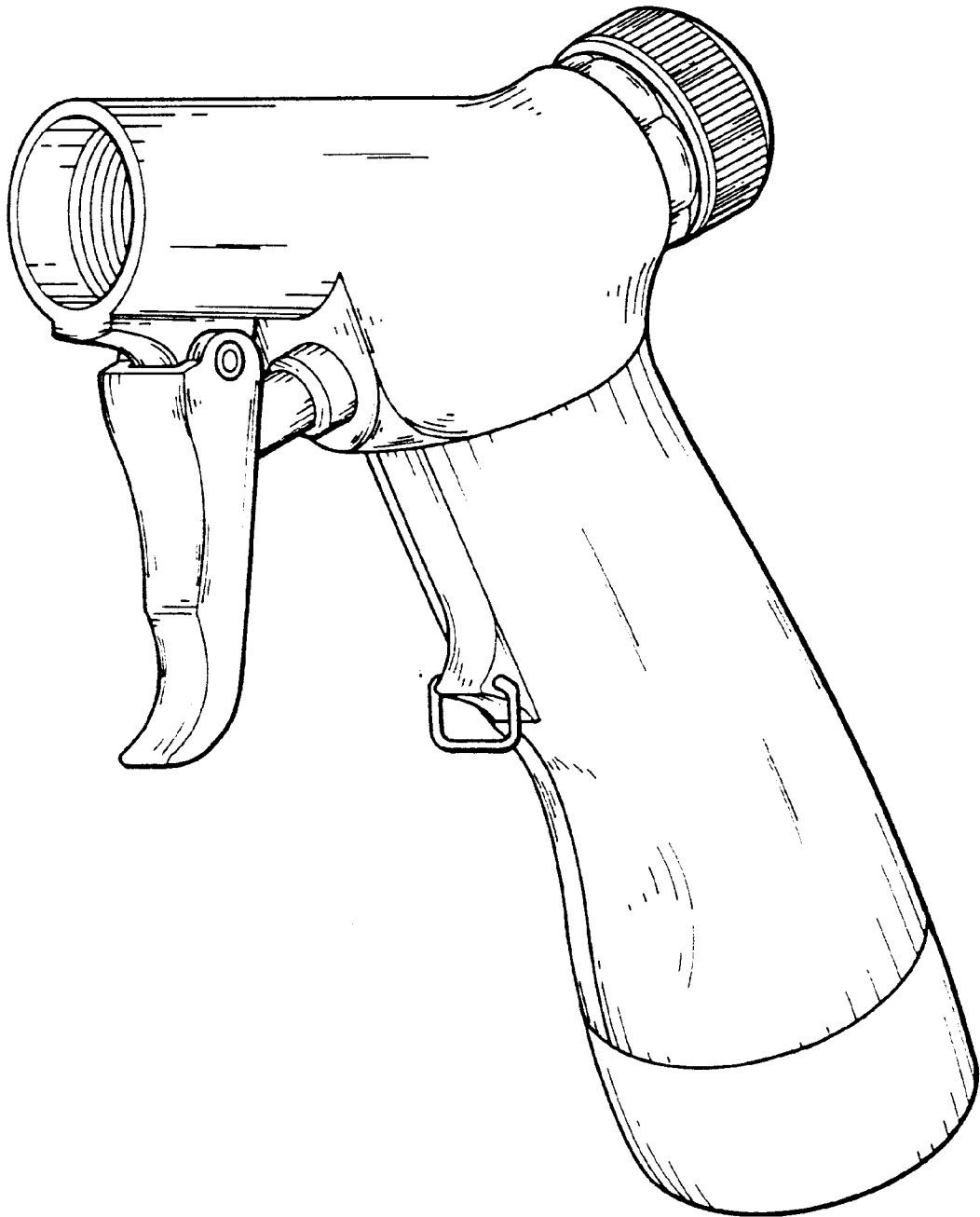


FIG. 1

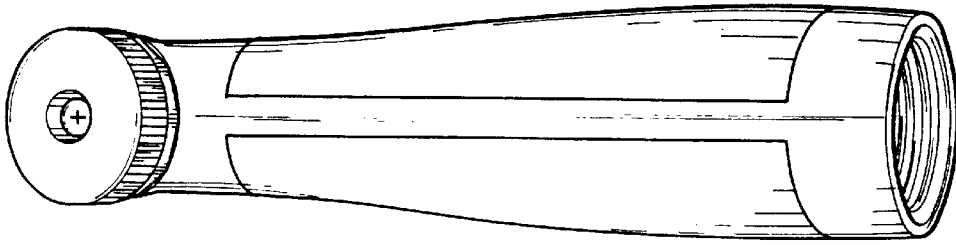


FIG. 3

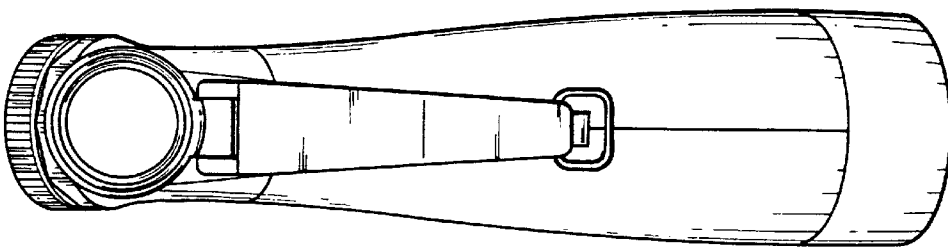


FIG. 2

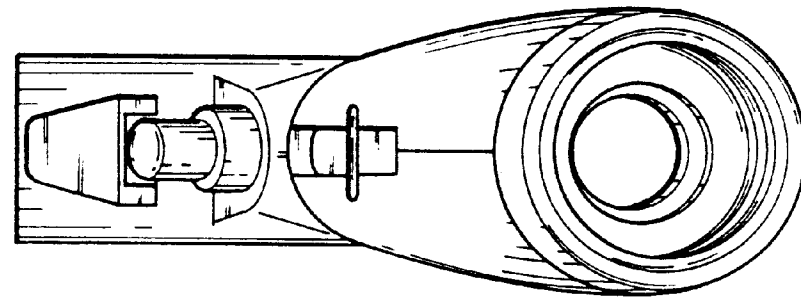


FIG. 5

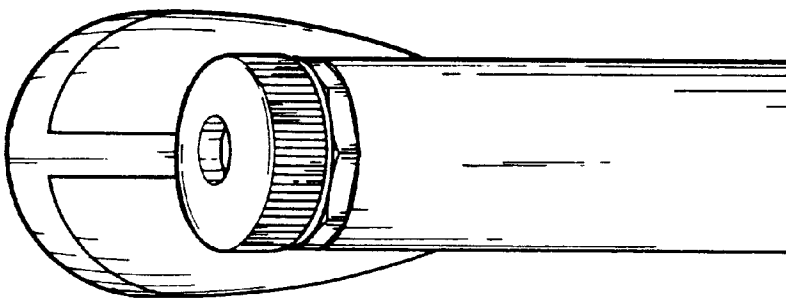


FIG. 4

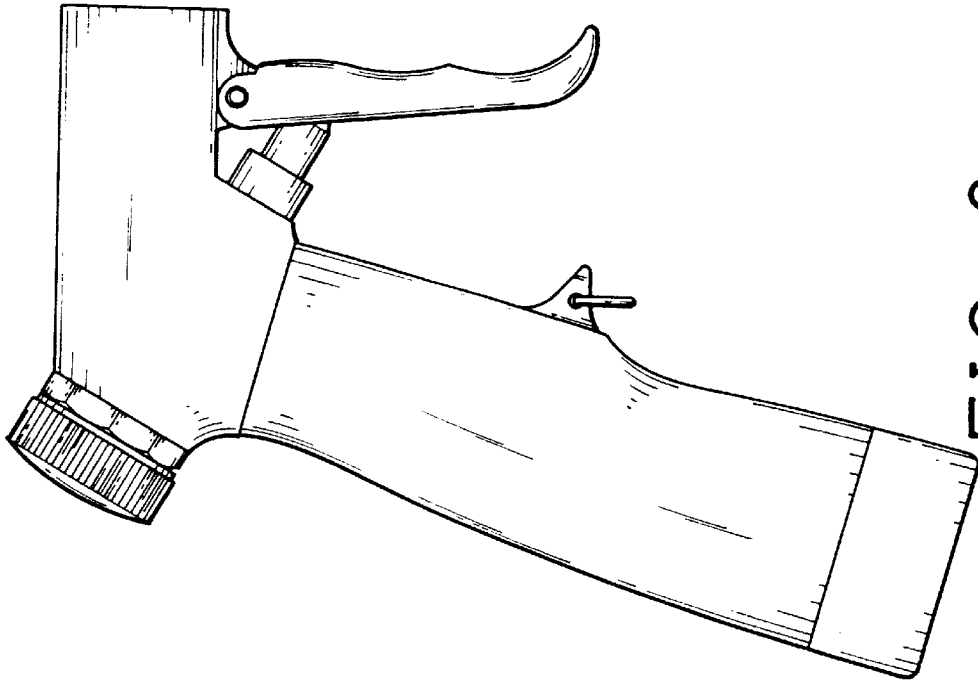


FIG. 6

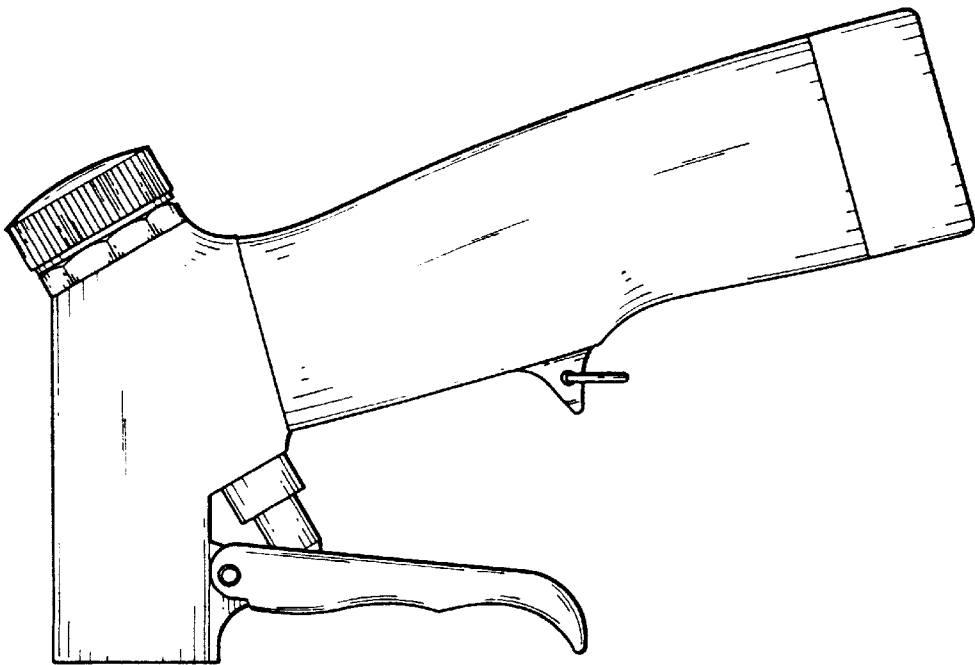


FIG. 7

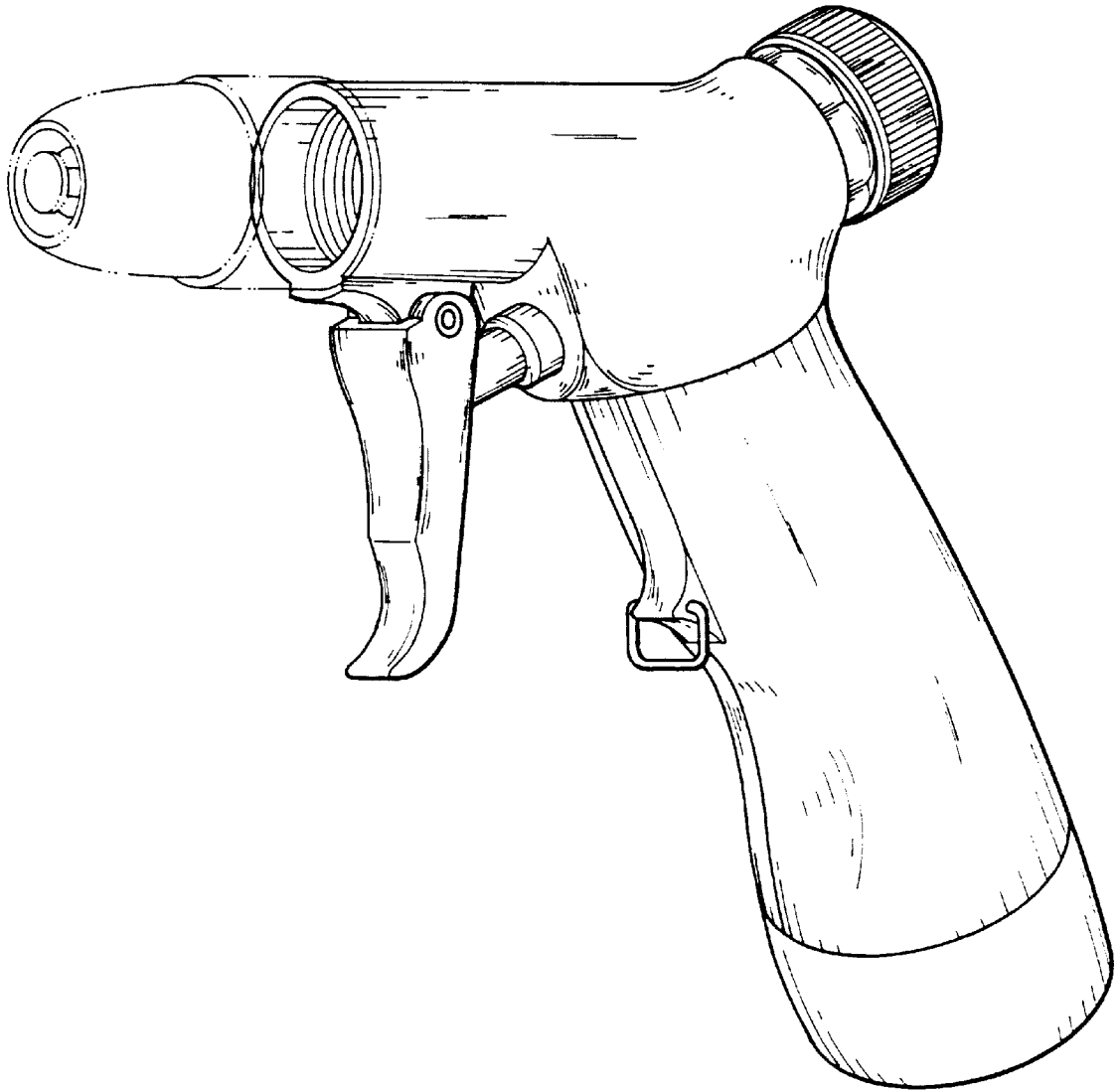


FIG. 8

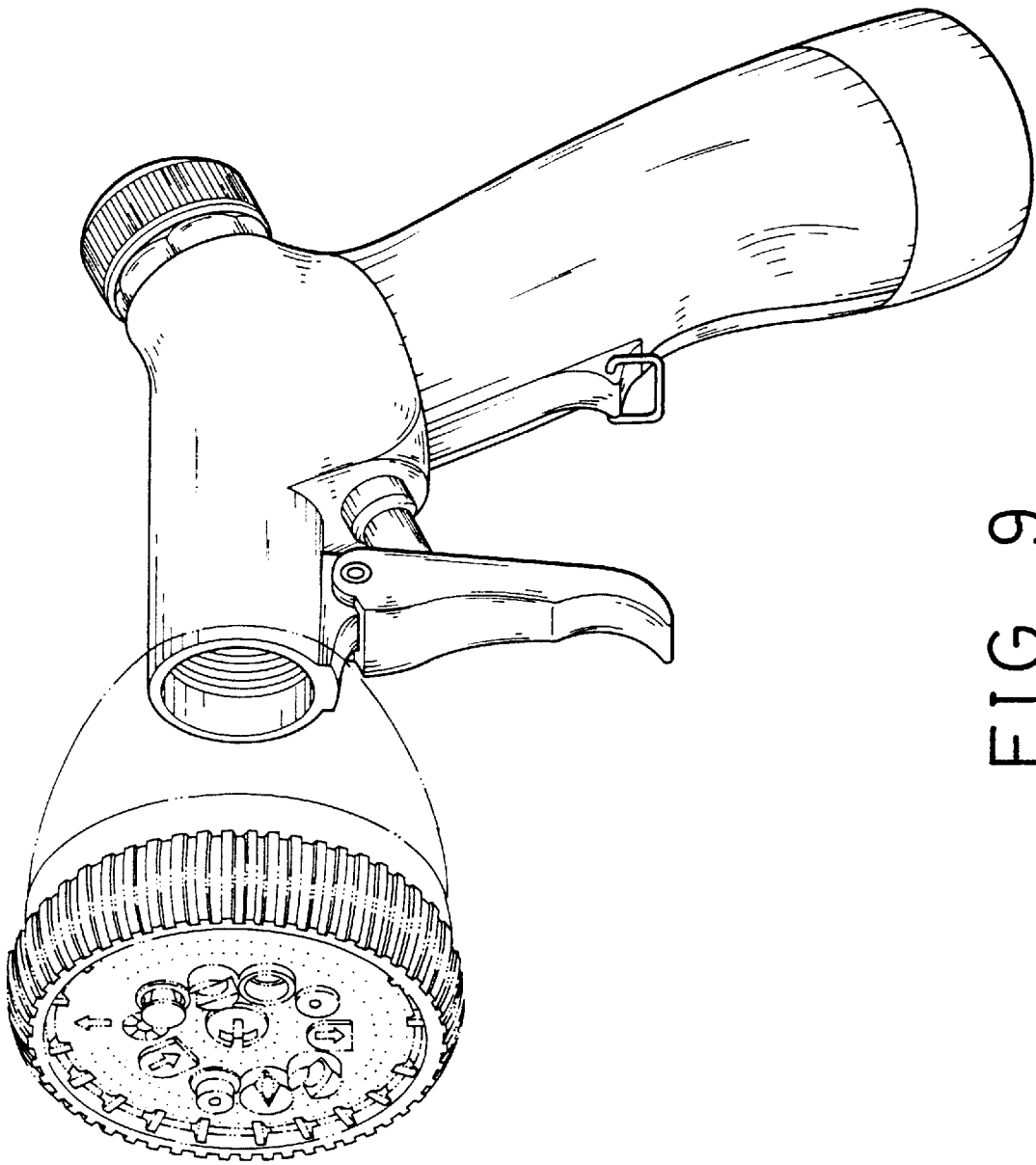


FIG. 9