

(12) INTERNATIONAL APPLICATION PUBLISHED UNDER THE PATENT COOPERATION TREATY (PCT)

(19) World Intellectual Property Organization
International Bureau



(43) International Publication Date
19 June 2003 (19.06.2003)

PCT

(10) International Publication Number
WO 03/050960 A3

(51) International Patent Classification⁷: H04B 7/185,
G01S 5/02

(21) International Application Number: PCT/US02/32918

(22) International Filing Date: 17 October 2002 (17.10.2002)

(25) Filing Language: English

(26) Publication Language: English

(30) Priority Data:
10/005,187 7 December 2001 (07.12.2001) US

(71) Applicant (for all designated States except US):
DELAWARE CAPITAL FORMATION, INC. [US/US];
1403 Foulk Road, Suite 102, Wilmington, DE 19803 (US).

(72) Inventor; and

(75) Inventor/Applicant (for US only): HOWARD, John, B.
[US/US]; 18180 Riger Road, Wildwood, MO 63005 (US).

(74) Agents: ELLIS, William, T. et al.; Foley & Lardner,
Washington Harbour, 3000 K Street, NW, Suite 500,
Washington, DC 20007-5101 (US).

(81) Designated States (national): AE, AG, AL, AM, AT, AU,
AZ, BA, BB, BG, BR, BY, BZ, CA, CH, CN, CO, CR, CU,

CZ, DE, DK, DM, DZ, EC, EE, ES, FI, GB, GD, GE, GH,
GM, HR, HU, ID, IL, IN, IS, JP, KE, KG, KP, KR, KZ, LC,
LK, LR, LS, LT, LU, LV, MA, MD, MG, MK, MN, MW,
MX, MZ, NO, NZ, OM, PH, PL, PT, RO, RU, SD, SE, SG,
SI, SK, SL, TJ, TM, TN, TR, TT, TZ, UA, UG, US, UZ,
VC, VN, YU, ZA, ZM, ZW.

(84) Designated States (regional): ARIPO patent (GH, GM,
KE, LS, MW, MZ, SD, SL, SZ, TZ, UG, ZM, ZW),
Eurasian patent (AM, AZ, BY, KG, KZ, MD, RU, TJ, TM),
European patent (AT, BE, BG, CH, CY, CZ, DE, DK, EE,
ES, FI, FR, GB, GR, IE, IT, LU, MC, NL, PT, SE, SK,
TR), OAPI patent (BF, BJ, CF, CG, CI, CM, GA, GN, GQ,
GW, ML, MR, NE, SN, TD, TG).

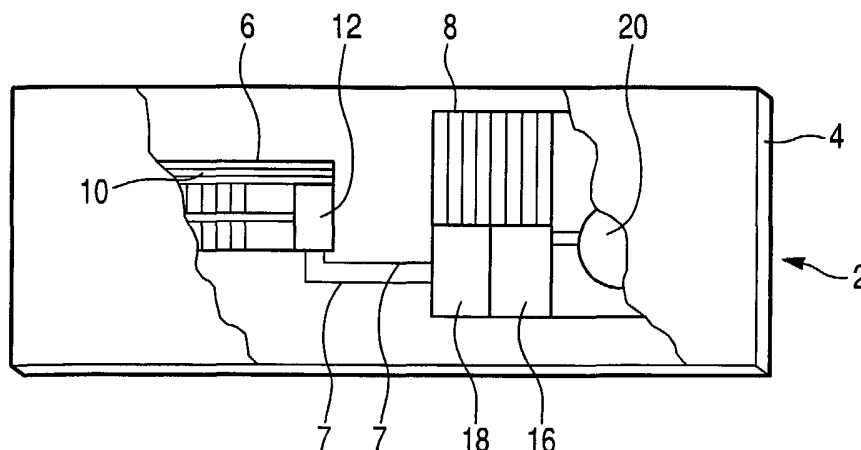
Published:

- with international search report
- before the expiration of the time limit for amending the claims and to be republished in the event of receipt of amendments

(88) Date of publication of the international search report:
20 November 2003

For two-letter codes and other abbreviations, refer to the "Guidance Notes on Codes and Abbreviations" appearing at the beginning of each regular issue of the PCT Gazette.

(54) Title: COMBINATION RFID AND GPS FUNCTIONALITY ON INTELLIGENT LABEL



(57) Abstract: An intelligent label (2) comprising a radio frequency transponder coupled to a global positioning system, both of which are attached to a substrate. Once the intelligent label is attached to an object, it will enable the object to be tracked as it moves from one point to another point. As the object moves, the global positioning system receives signals from GPS satellites and processes those signals into location data. The data is then either transmitted directly to an interrogation station by the radio frequency transponder, or stored in a memory. The memory serves to allow all or part of the previous location data to be stored for transmittal to an interrogator at a later date.



WO 03/050960 A3

INTERNATIONAL SEARCH REPORT

International application No.

PCT/US02/32918

A. CLASSIFICATION OF SUBJECT MATTER

IPC(7) : H04B 7/185; G01S 5/02
 US CL : 342/357.07, 357.06

According to International Patent Classification (IPC) or to both national classification and IPC

B. FIELDS SEARCHED

Minimum documentation searched (classification system followed by classification symbols)
 U.S. : 342/357.07, 357.06, 51; 701/213, 215; 340/825.34, 825.54

Documentation searched other than minimum documentation to the extent that such documents are included in the fields searched

Electronic data base consulted during the international search (name of data base and, where practicable, search terms used)

C. DOCUMENTS CONSIDERED TO BE RELEVANT

Category *	Citation of document, with indication, where appropriate, of the relevant passages	Relevant to claim No.
X	US 6,323,782 B1 (STEPHENS ET AL) 27 November 2001 (27.11.01) Fig. 1-6; Col.. 6, Lines 6-12.	1-21, 25-28, 31-39

Further documents are listed in the continuation of Box C.

See patent family annex.

* Special categories of cited documents:		
"A"	document defining the general state of the art which is not considered to be of particular relevance	"T" later document published after the international filing date or priority date and not in conflict with the application but cited to understand the principle or theory underlying the invention
"E"	earlier application or patent published on or after the international filing date	"X" document of particular relevance; the claimed invention cannot be considered novel or cannot be considered to involve an inventive step when the document is taken alone
"L"	document which may throw doubts on priority claim(s) or which is cited to establish the publication date of another citation or other special reason (as specified)	"Y" document of particular relevance; the claimed invention cannot be considered to involve an inventive step when the document is combined with one or more other such documents, such combination being obvious to a person skilled in the art
"O"	document referring to an oral disclosure, use, exhibition or other means	"&" document member of the same patent family
"P"	document published prior to the international filing date but later than the priority date claimed	

Date of the actual completion of the international search

11 November 2002 (11.11.2002)

Name and mailing address of the ISA/US

Commissioner of Patents and Trademarks
 Box PCT
 Washington, D.C. 20231

Facsimile No. (703)305-3230

Date of mailing of the international search report

09 SEP 2003

Authorized officer

Dao L. Phan

Telephone No. (703) 306-4167