

(19) World Intellectual Property Organization
International Bureau



(43) International Publication Date
13 September 2007 (13.09.2007)

PCT

(10) International Publication Number
WO 2007/103002 A3

- (51) International Patent Classification:
B65C 3/26 (2006.01) B65C 9/42 (2006.01)
B65C 9/18 (2006.01)
- (21) International Application Number:
PCT/US2007/004778
- (22) International Filing Date:
23 February 2007 (23.02.2007)
- (25) Filing Language: English
- (26) Publication Language: English
- (30) Priority Data:
60/767,194 9 March 2006 (09.03.2006) US
- (71) Applicant (for all designated States except US): **ILLINOIS TOOL WORKS INC.** [US/US]; 3600 West Lake Avenue, Glenview, IL 60026 (US).
- (72) Inventors; and
- (75) Inventors/Applicants (for US only): **GONZALEZ, James, P.** [US/US]; 3600 West Lake Avenue, Glenview, IL 60026 (US). **ZURAWSKI, David, E.** [US/US]; 3600 West Lake Avenue, Glenview, IL 60026 (US). **VAUGHN, David, B.** [US/US]; 3600 West Lake Avenue, Glenview, IL 60026 (US).
- (74) Agent: **HAUPTMAN, Benjamin, J.**; Lowe Hauptman & Berner, LLP, 1700 Diagonal Rd., Suite 300, Alexandria, VA 22314 (US).

- (81) Designated States (unless otherwise indicated, for every kind of national protection available): AE, AG, AL, AM, AT, AU, AZ, BA, BB, BG, BR, BW, BY, BZ, CA, CH, CN, CO, CR, CU, CZ, DE, DK, DM, DZ, EC, EE, EG, ES, FI, GB, GD, GE, GH, GM, GT, HN, HR, HU, ID, IL, IN, IS, JP, KE, KG, KM, KN, KP, KR, KZ, LA, LC, LK, LR, LS, LT, LU, LV, LY, MA, MD, MG, MK, MN, MW, MX, MY, MZ, NA, NG, NI, NO, NZ, OM, PG, PH, PL, PT, RO, RS, RU, SC, SD, SE, SG, SK, SL, SM, SV, SY, TJ, TM, TN, TR, TT, TZ, UA, UG, US, UZ, VC, VN, ZA, ZM, ZW.
- (84) Designated States (unless otherwise indicated, for every kind of regional protection available): ARIPO (BW, GH, GM, KE, LS, MW, MZ, NA, SD, SL, SZ, TZ, UG, ZM, ZW), Eurasian (AM, AZ, BY, KG, KZ, MD, RU, TJ, TM), European (AT, BE, BG, CH, CY, CZ, DE, DK, EE, ES, FI, FR, GB, GR, HU, IE, IS, IT, LT, LU, LV, MC, NL, PL, PT, RO, SE, SI, SK, TR), OAPI (BF, BJ, CF, CG, CI, CM, GA, GN, GQ, GW, ML, MR, NE, SN, TD, TG).

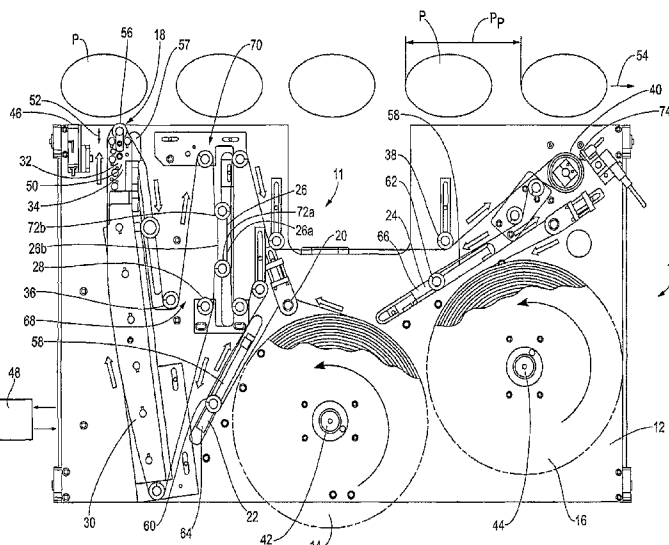
Published:

- with international search report
- before the expiration of the time limit for amending the claims and to be republished in the event of receipt of amendments

(88) Date of publication of the international search report:
21 December 2007

[Continued on next page]

(54) Title: LABEL APPLICATOR SYSTEM



(57) Abstract: A label applicator system provides for high speed, accurate label transfer from a web to items moving on an item transport along a path relative to the system. The items (P), such as bottles, have a contoured surface. The applicator includes a supply reel (14) for supplying labels (L) on a web (w) and a take-up (16) for taking up the web after transfer of the label. The system includes a web positioning assembly (26) and a movable label applicator head (18). A contour sensor (46) senses the bottle contour and develops a profile for the head to follow to apply the labels to the bottles. The web positioning assembly (26) is configured to advance and retract the web to accommodate a pitch difference between the bottles in the bottle transport and the labels on the web and to accommodate movement of the decorating head toward and away from the bottles in the bottle transport.

WO 2007/103002 A3



For two-letter codes and other abbreviations, refer to the "Guidance Notes on Codes and Abbreviations" appearing at the beginning of each regular issue of the PCT Gazette.

INTERNATIONAL SEARCH REPORT

International application No

PCT/US2007/004778

A. CLASSIFICATION OF SUBJECT MATTER		
INV.	B65C3/26	B65C9/18 B65C9/42
According to International Patent Classification (IPC) or to both national classification and IPC		
B. FIELDS SEARCHED		
Minimum documentation searched (classification system followed by classification symbols)		
B65C		
Documentation searched other than minimum documentation to the extent that such documents are included in the fields searched		
Electronic data base consulted during the international search (name of data base and, where practical, search terms used)		
EPO-Internal		
C. DOCUMENTS CONSIDERED TO BE RELEVANT		
Category*	Citation of document, with indication, where appropriate, of the relevant passages	Relevant to claim No.
A	US 6 199 614 B1 (SNYDER RONALD E [US] ET AL) 13 March 2001 (2001-03-13) column 5, line 19 - line 36; figure 1 -----	1,31,47
A	US 5 306 375 A (LEONARD ROBIN G [US]) 26 April 1994 (1994-04-26) abstract; figures 1-3 -----	
A	US 5 188 696 A (GOOD JR KENNETH W [US]) 23 February 1993 (1993-02-23) abstract; figure 13 -----	1,31,47
A	US 5 565 055 A (CROCI PAUL C [US]) 15 October 1996 (1996-10-15) column 7, line 21 - line 67; figure 5 -----	1,31,47
<input type="checkbox"/> Further documents are listed in the continuation of Box C. <input checked="" type="checkbox"/> See patent family annex.		
* Special categories of cited documents :		
"A" document defining the general state of the art which is not considered to be of particular relevance	"T" later document published after the international filing date or priority date and not in conflict with the application but cited to understand the principle or theory underlying the invention	
"E" earlier document but published on or after the international filing date	"X" document of particular relevance; the claimed invention cannot be considered novel or cannot be considered to involve an inventive step when the document is taken alone	
"L" document which may throw doubts on priority claim(s) or which is cited to establish the publication date of another citation or other special reason (as specified)	"Y" document of particular relevance; the claimed invention cannot be considered to involve an inventive step when the document is combined with one or more other such documents, such combination being obvious to a person skilled in the art.	
"O" document referring to an oral disclosure, use, exhibition or other means	"&" document member of the same patent family	
"P" document published prior to the international filing date but later than the priority date claimed		
Date of the actual completion of the international search	Date of mailing of the international search report	
21 August 2007	02. 11. 2007	
Name and mailing address of the ISA/ European Patent Office, P.B. 5818 Patentlaan 2 NL - 2280 HV Rijswijk Tel. (+31-70) 340-2040, Tx. 31 651 epo nl, Fax: (+31-70) 340-3016	Authorized officer Wartenhorst, Frank	

INTERNATIONAL SEARCH REPORT

International application No.
PCT/US2007/004778

Box II Observations where certain claims were found unsearchable (Continuation of item 2 of first sheet)

This International Search Report has not been established in respect of certain claims under Article 17(2)(a) for the following reasons:

1. Claims Nos.:
because they relate to subject matter not required to be searched by this Authority, namely:

2. Claims Nos.:
because they relate to parts of the International Application that do not comply with the prescribed requirements to such an extent that no meaningful International Search can be carried out, specifically:

3. Claims Nos.:
because they are dependent claims and are not drafted in accordance with the second and third sentences of Rule 6.4(a).

Box III Observations where unity of invention is lacking (Continuation of item 3 of first sheet)

This International Searching Authority found multiple inventions in this international application, as follows:

see additional sheet

1. As all required additional search fees were timely paid by the applicant, this International Search Report covers all searchable claims.

2. As all searchable claims could be searched without effort justifying an additional fee, this Authority did not invite payment of any additional fee.

3. As only some of the required additional search fees were timely paid by the applicant, this International Search Report covers only those claims for which fees were paid, specifically claims Nos.:

4. No required additional search fees were timely paid by the applicant. Consequently, this International Search Report is restricted to the invention first mentioned in the claims; it is covered by claims Nos.:

1-19, 31-40, 47-56

Remark on Protest

The additional search fees were accompanied by the applicant's protest.

No protest accompanied the payment of additional search fees.

FURTHER INFORMATION CONTINUED FROM PCT/ISA/ 210

This International Searching Authority found multiple (groups of) inventions in this international application, as follows:

1. claims: 1-19,31-40,47-56

A label applicator head movable toward and away from an item in response to a profile sensed by a contour sensor.

2. claims: 20-30,41-46,57

A web positioning assembly for advancing and retracting the web in response to a difference in product pitch and label pitch.

INTERNATIONAL SEARCH REPORT

Information on patent family members

International application No PCT/US2007/004778

Patent document cited in search report	Publication date	Publication date	Patent family member(s)	Publication date	
US 6199614	B1	13-03-2001	NONE		
US 5306375	A	26-04-1994	NONE		
US 5188696	A	23-02-1993	NONE		
US 5565055	A	15-10-1996	AU	5729396 A	29-11-1996
			WO	9635617 A1	14-11-1996