

(19) World Intellectual Property Organization
International Bureau



(43) International Publication Date
15 April 2004 (15.04.2004)

PCT

(10) International Publication Number
WO 2004/031915 A3

(51) International Patent Classification⁷: **G06K 7/00**,
19/06, H05K 7/00, 5/00, 7/18, 3/36, B23Q 15/00, 17/00,
5/00, B23P 19/00

95148 (US). **VENKIDU, Arockiyaswamy** [IN/US]; 112
Princeton Court, Menlo Park, CA 94025 (US). **JONES,
Larry, Lawson** [US/US]; 1407 Hamilton Avenue, Palo
Alto, CA 94301 (US). **PHOUKONG, Simaly** [US/US];
1740 West Flora Street, Stockton, CA 95203 (US).

(21) International Application Number:
PCT/US2003/031397

(22) International Filing Date: 3 October 2003 (03.10.2003)

(74) Agents: **MALLIE, Michael, J.** et al.; Blakely, Sokoloff,
Taylor & Zafman LLP, 12400 Wilshire Boulevard, 7th
floor, Los Angeles, CA 90025 (US).

(25) Filing Language: English

(26) Publication Language: English

(30) Priority Data:
10/065,325 3 October 2002 (03.10.2002) US

(81) Designated States (*national*): AE, AG, AL, AM, AT, AU,
AZ, BA, BB, BG, BR, BY, BZ, CA, CH, CN, CO, CR, CU,
CZ, DE, DK, DM, DZ, EC, EE, EG, ES, FI, GB, GD, GE,
GH, GM, HR, HU, ID, IL, IN, IS, JP, KE, KG, KP, KR,
KZ, LC, LK, LR, LS, LT, LU, LV, MA, MD, MG, MK,
MN, MW, MX, MZ, NI, NO, NZ, OM, PG, PH, PL, PT,
RO, RU, SC, SD, SE, SG, SK, SL, SY, TJ, TM, TN, TR,
TT, TZ, UA, UG, US, UZ, VC, VN, YU, ZA, ZM, ZW.

(71) Applicant (*for all designated States except US*): **ONSPEC
ELECTRONIC, INC.** [US/US]; 2970 Scott Boulevard,
Santa Clara, CA 95054 (US).

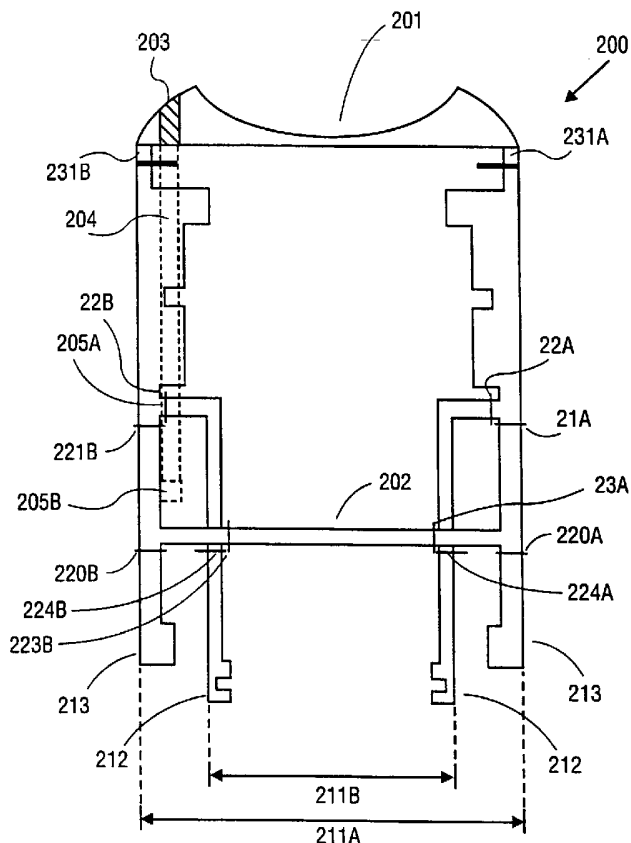
(72) Inventors; and

(75) Inventors/Applicants (*for US only*): **MAMBAKKAM,
Sreenath** [IN/US]; 2841 Rainwood Court, San Jose, CA

(84) Designated States (*regional*): ARIPO patent (GH, GM,
KE, LS, MW, MZ, SD, SL, SZ, TZ, UG, ZM, ZW),

[Continued on next page]

(54) Title: FRAME KIT TO ACCOMMODATE MULTIPLE HOST PROCESSING SYSTEM CONNECTOR INTERFACES



(57) Abstract: An embodiment of the invention provides a connector interface frame comprising a plurality of detachable limbs. When one or more specified limbs are detached, the connector interface frame accommodates a particular one of a plurality of host processing system connector interfaces. Depending on which limbs are detached, the frame can accommodate either a CF card or a PCMCIA card. In alternative embodiments, the frame accommodates other host processing system connector interfaces. Embodiments of the invention, therefore, allow the production of a standard frame kit that can be used for multiple types of host processing system connector interfaces.

WO 2004/031915 A3



Eurasian patent (AM, AZ, BY, KG, KZ, MD, RU, TJ, TM),
European patent (AT, BE, BG, CH, CY, CZ, DE, DK, EE,
ES, FI, FR, GB, GR, HU, IE, IT, LU, MC, NL, PT, RO,
SE, SI, SK, TR), OAPI patent (BF, BJ, CF, CG, CI, CM,
GA, GN, GQ, GW, ML, MR, NE, SN, TD, TG).

(88) Date of publication of the international search report:
28 April 2005

For two-letter codes and other abbreviations, refer to the "Guidance Notes on Codes and Abbreviations" appearing at the beginning of each regular issue of the PCT Gazette.

Published:

- *with international search report*
- *before the expiration of the time limit for amending the claims and to be republished in the event of receipt of amendments*

INTERNATIONAL SEARCH REPORT

International application No.

PCT/US03/31397

A. CLASSIFICATION OF SUBJECT MATTER

IPC(7) : G06K 7/00, 19/06; H05K 7/00, 5/00, 7/18, 3/36; B23Q 15/00, 17/00, 5/00; B23P 19/00
 US CL : 235/486, 492, 435; 361/728-731, 740-742, 686; 29/566.2-.4, 762, 730, 832
 According to International Patent Classification (IPC) or to both national classification and IPC

B. FIELDS SEARCHED

Minimum documentation searched (classification system followed by classification symbols)
 U.S. : 235/486, 492, 435; 361/728-731, 740-742, 686; 29/566.2-.4, 762, 730, 832

Documentation searched other than minimum documentation to the extent that such documents are included in the fields searched

Electronic data base consulted during the international search (name of data base and, where practicable, search terms used)
 EAST Search (database)

C. DOCUMENTS CONSIDERED TO BE RELEVANT

Category *	Citation of document, with indication, where appropriate, of the relevant passages	Relevant to claim No.
Y	US 4,551,912 A (MARKS et al.) 12 November 1985 (12.11.1985), abstract and FIG. 2-4.	1, 5, 6, 10, and 11
A	US 6,381,662 A (HARARI et al.) 30 April 2002 (30.4.2002).	
A	US 6,386,920 A (SUN) 15 May 2002 (15.5.2002).	
A,P	US 6,628,524 A (WASHINO et al.) 30 September 2003 (30.9.2003).	
A,E	US 6,738,259 A (LE et al.) 18 May 2004 (18.5.2004).	
A,P	US 6,641,413 A (KURODA) 04 November 2003 (4.11.2003).	
A,E	US 6,806,559 A (GANN et al.) 19 October 2004 (19.10.2004).	
A	US 4,801,561 A (SANKHAGOWIT) 31 January 1989 (31.1.1989).	

Further documents are listed in the continuation of Box C.

See patent family annex.

* Special categories of cited documents:

"A" document defining the general state of the art which is not considered to be of particular relevance
 "E" earlier application or patent published on or after the international filing date
 "L" document which may throw doubts on priority claim(s) or which is cited to establish the publication date of another citation or other special reason (as specified)
 "O" document referring to an oral disclosure, use, exhibition or other means
 "P" document published prior to the international filing date but later than the priority date claimed

"T" later document published after the international filing date or priority date and not in conflict with the application but cited to understand the principle or theory underlying the invention
 "X" document of particular relevance; the claimed invention cannot be considered novel or cannot be considered to involve an inventive step when the document is taken alone
 "Y" document of particular relevance; the claimed invention cannot be considered to involve an inventive step when the document is combined with one or more other such documents, such combination being obvious to a person skilled in the art
 "&" document member of the same patent family

Date of the actual completion of the international search

03 January 2005 (03.01.2005)

Date of mailing of the international search report

24 FEB 2005

Name and mailing address of the ISA/US

Mail Stop PCT, Attn: ISA/US
 Commissioner for Patents
 P.O. Box 1450
 Alexandria, Virginia 22313-1450

Facsimile No. (703) 305-3230

Authorized officer

Daniel Walsh

**DEBORAH A. THOMAS
 PARALEGAL SPECIALIST**

Telephone No. (571)272-2409 ~~6766-1300~~

DAA