



US00D739978S

(12) **United States Design Patent**  
**Oliveras**

(10) **Patent No.:** **US D739,978 S**

(45) **Date of Patent:** **\*\* Sep. 29, 2015**

(54) **ONE-PIECE COVER FOR A COMPACT FLUORESCENT LIGHT BULB**

*Primary Examiner* — Cynthia Ramirez

*Assistant Examiner* — Llorelyns Martinez-Rivera

(71) Applicant: **Rene-Martin Oliveras**, Florham Park, NJ (US)

(57) **CLAIM**

The ornamental design for a one-piece cover for a compact fluorescent light bulb, as shown and described.

(72) Inventor: **Rene-Martin Oliveras**, Florham Park, NJ (US)

**DESCRIPTION**

(\*\*) Term: **14 Years**

(21) Appl. No.: **29/461,305**

(22) Filed: **Jul. 22, 2013**

(51) **LOC (10) Cl.** ..... **26-99**

(52) **U.S. Cl.**  
USPC ..... **D26/118**

(58) **Field of Classification Search**

USPC ..... D26/24–26, 51, 56, 57, 61, 72–91, D26/92–102, 108, 109, 113, 118, 204; 362/3, 11, 12, 16, 145, 147–150, 362/217.01–217.12, 257, 265, 291, 294, 362/296.01, 296.09, 308, 317, 327, 328, 362/335, 362–368, 373, 404, 407, 412, 416, 362/455, 558, 563, 564, 576, 805–809, 811, 362/134, 153, 154, 186, 189, 207; D21/343, 352, 465, 467, 483, 484, D21/499; D11/131, 142–153

See application file for complete search history.

FIG. 1 is a top plan view of a one-piece cover for a compact fluorescent light bulb showing a first embodiment of my new design;

FIG. 2 is a bottom view thereof;

FIG. 3 is a left side view thereof;

FIG. 4 is a right side view thereof;

FIG. 5 is a front view thereof;

FIG. 6 is a rear view thereof;

FIG. 7 is a right cross-section view thereof; taken along line 7-7;

FIG. 8 is a top cross-section view thereof; taken along line 8-8;

FIG. 9 is a rear view thereof, showing a second embodiment of my new design; the top, bottom, left, right, and front views appearing identically to those of the first embodiment;

FIG. 10 is a right cross-section view thereof; taken along line 10-10;

FIG. 11 is a top cross-section view thereof; taken along line 11-11;

FIG. 12 is a rear view thereof, showing a third embodiment of my new design; the top, bottom, left, right, and front views appearing identically to those of the first embodiment;

FIG. 13 is a right cross-section view thereof; taken along line 13-13;

FIG. 14 is a top cross-section view thereof; taken along line 14-14;

FIG. 15 is a rear view thereof, showing a fourth embodiment of my new design; the top, bottom, left, right, and front views appearing identically to those of the first embodiment;

FIG. 16 is a right cross-section view thereof; taken along line 16-16; and,

FIG. 17 is a top cross-section view thereof; taken along line 17-17.

(56) **References Cited**

**U.S. PATENT DOCUMENTS**

D109,740 S \* 5/1938 Stewart ..... D26/137  
2,570,625 A \* 10/1951 Zimmerman et al. .... 434/403

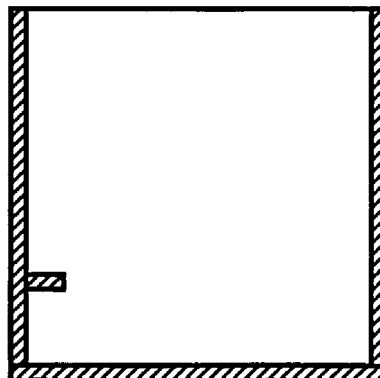
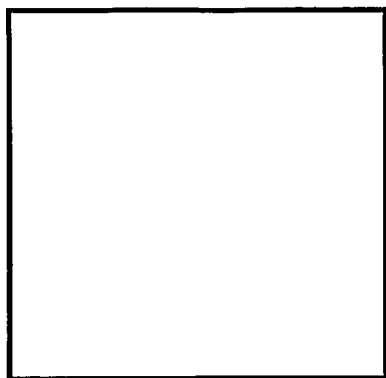
(Continued)

**OTHER PUBLICATIONS**

White Cotton Drum Cylinder Shade, LampsPlus.com, first reviewed on Nov. 4, 2009, online. Site visited Jun. 25, 2014. Internet URL: <"http://www.lampsplus.com/products/white-cotton-drum-cylinder-shade-8x8x11-spider\_00107.html#read-reviews-tab">.\*

(Continued)

**1 Claim, 5 Drawing Sheets**



(56)

References Cited

U.S. PATENT DOCUMENTS

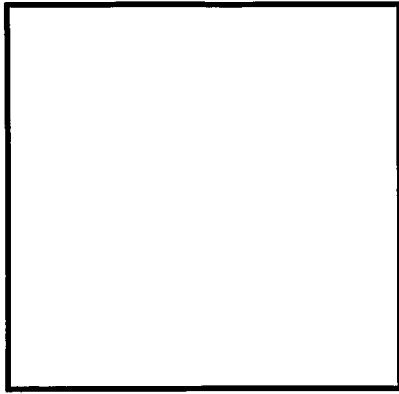
D177,631 S \* 5/1956 Lagin ..... D26/105  
 3,309,893 A \* 3/1967 Heffler et al. .... 206/205  
 3,579,859 A \* 5/1971 Malenge ..... 40/437  
 3,998,350 A \* 12/1976 Massac ..... 220/565  
 D244,875 S \* 6/1977 Baca ..... D26/105  
 4,185,125 A \* 1/1980 Sakakibara et al. .... 426/439  
 4,618,924 A \* 10/1986 Hinds ..... 700/86  
 4,631,453 A \* 12/1986 DeSouza et al. .... 315/340  
 4,838,794 A \* 6/1989 Coddington ..... 434/403  
 5,139,453 A \* 8/1992 Aiken et al. .... 434/259  
 5,943,836 A \* 8/1999 Kassardjian ..... 248/523  
 D455,335 S \* 4/2002 Cort ..... D8/374  
 6,550,936 B2 \* 4/2003 Foley ..... 362/154  
 D489,642 S \* 5/2004 Brumlow ..... D11/143  
 D567,401 S \* 4/2008 Mason, II ..... D26/24  
 D568,418 S \* 5/2008 Webster ..... D21/499

D575,444 S \* 8/2008 Lissoni ..... D26/137  
 8,002,429 B2 \* 8/2011 Ambroggio et al. .... 362/154  
 D659,281 S \* 5/2012 Patkus et al. .... D26/137  
 D683,494 S \* 5/2013 Verdin ..... D26/137  
 D704,278 S \* 5/2014 Reyeroy ..... D21/484  
 2004/0212987 A1 \* 10/2004 Lu ..... 362/154  
 2010/0296273 A1 \* 11/2010 Lien ..... 362/154

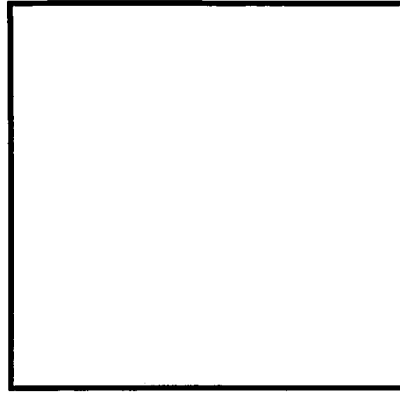
OTHER PUBLICATIONS

Ceiling MERA LED, reigl.com, published Sep. 16, 2013, online.  
 Site visited Jun. 25, 2014. Internet URL:<"http://reigl.com/meraled/">.\*  
 Lamp/light bulb wrapping Paper Tube With Plastic Well Word Cover, Alibaba.com, online. Site visited Jun. 25, 2014. Internet URL:<"http://www.alibaba.com/product-detail/lamp-light-bulb-wrapping-Paper-Tube\_661595373.html">.\*

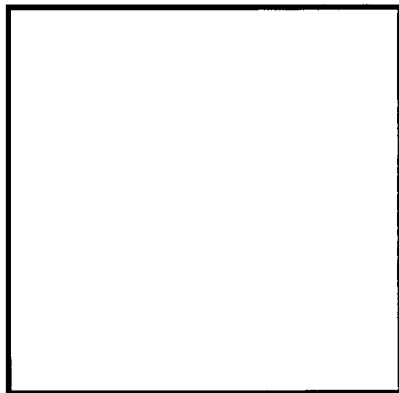
\* cited by examiner



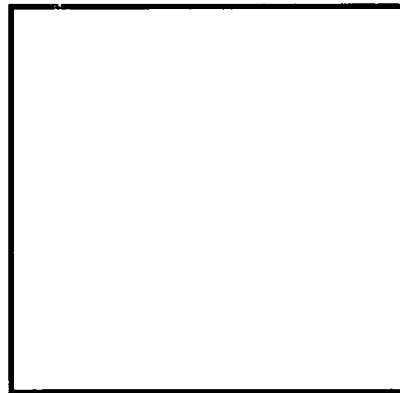
**FIG. 1**



**FIG. 2**



**FIG. 3**



**FIG. 4**

**FIG. 5**

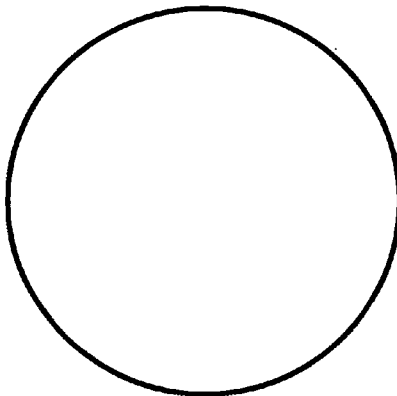


FIG. 6

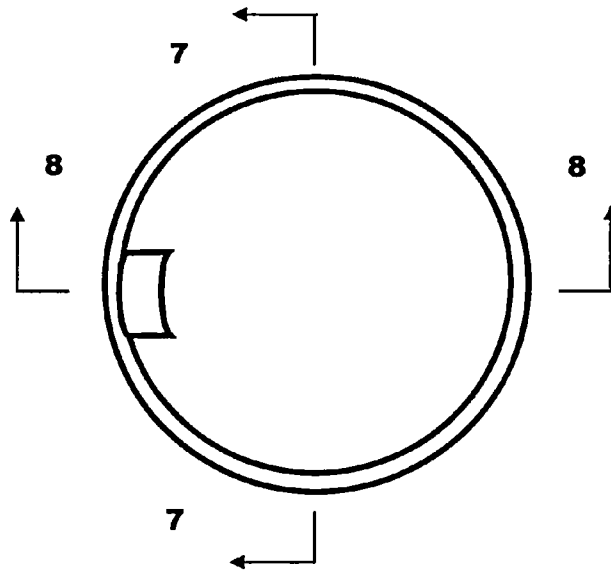


FIG. 7

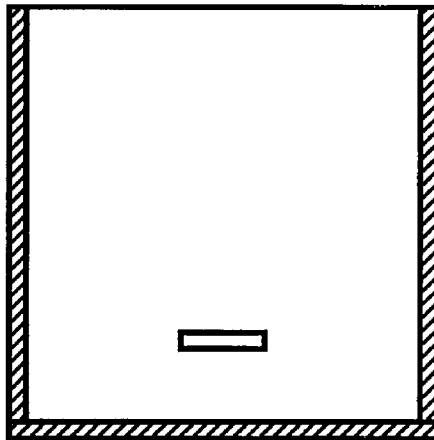


FIG. 8

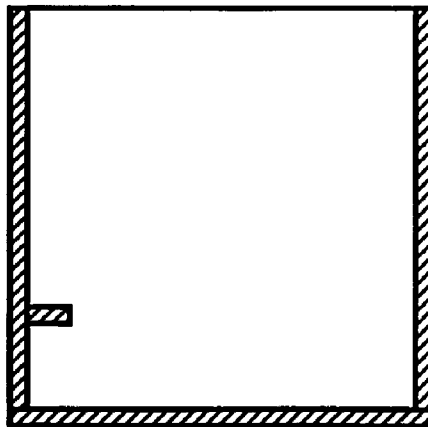


FIG. 9

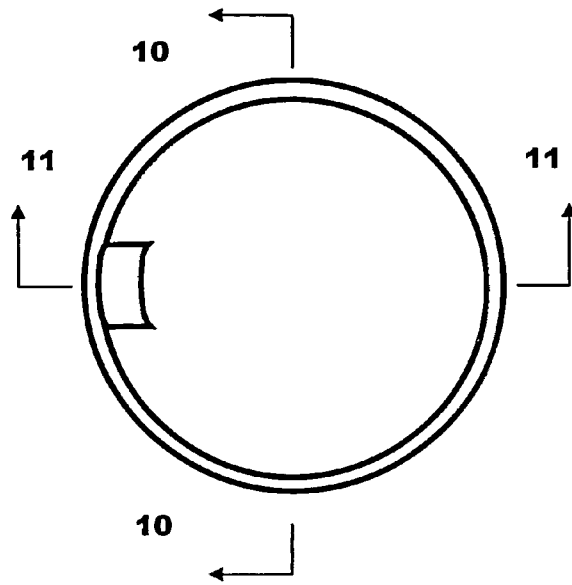


FIG. 10

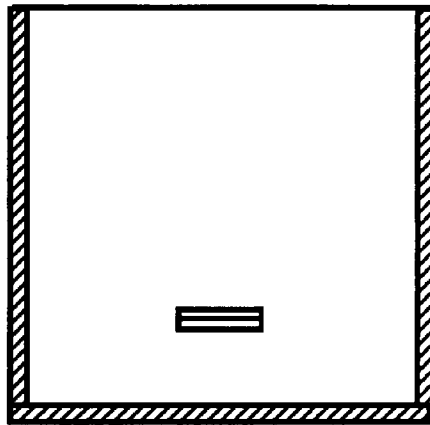


FIG. 11

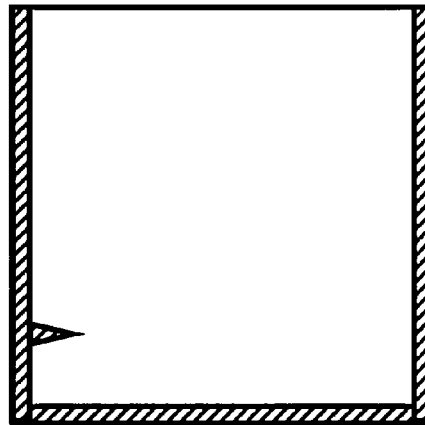


FIG. 12

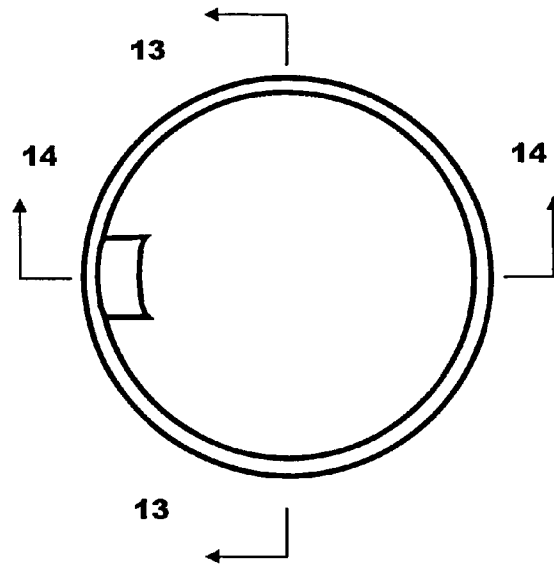


FIG. 13

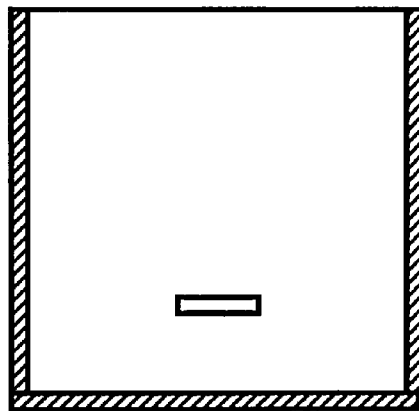


FIG. 14

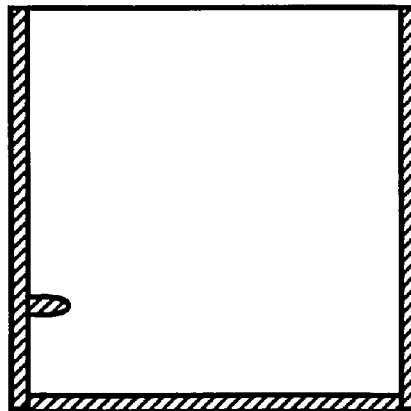


FIG. 15

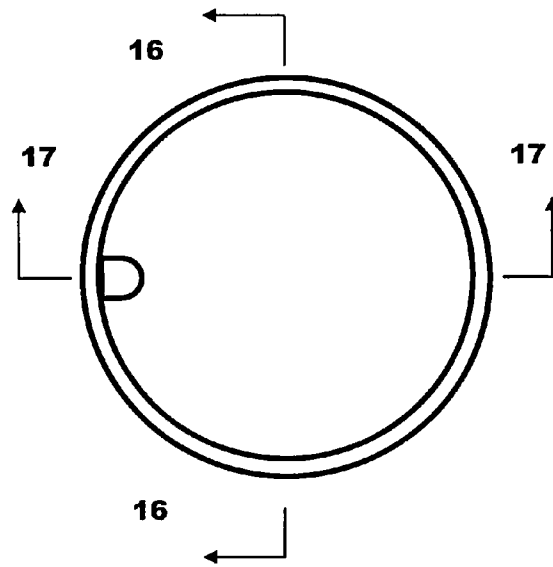


FIG. 16

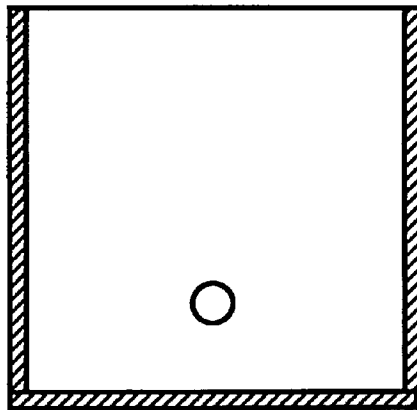


FIG. 17

