



US00D453089S

(12) **United States Design Patent**  
**Neidigh**

(10) **Patent No.:** **US D453,089 S**

(45) **Date of Patent:** **\*\* Jan. 29, 2002**

(54) **MIXING PITCHER**

(75) **Inventor:** **Brian Neidigh, Sandwich, IL (US)**

(73) **Assignee:** **The Pampered Chef, Ltd., Addison, IL (US)**

(\*\*) **Term:** **14 Years**

(21) **Appl. No.:** **29/119,415**

(22) **Filed:** **Feb. 29, 2000**

(51) **LOC (7) Cl.** ..... **07-01**

(52) **U.S. Cl.** ..... **D7/319; D7/317**

(58) **Field of Search** ..... **D7/300, 312, 316, D7/321, 317, 318, 319; 222/144.5, 465.1, 572, 473; 99/275, 285, 297; 215/12.1, 12.2; D23/209, 207; 220/504**

(56) **References Cited**

**U.S. PATENT DOCUMENTS**

D336,760 S	*	6/1993	Raunkjaer	.....	D23/209
D383,351 S	*	9/1997	DeMore	.....	D7/319
D384,237 S	*	9/1997	Hess	.....	D7/319
D386,041 S	*	11/1997	Tanner et al.	.....	D7/319
D389,004 S	*	1/1998	Hampshire et al.	.....	D7/319
D398,184 S	*	9/1998	Silverberg et al.	.....	D7/319
D415,922 S	*	11/1999	Kawasaki et al.	.....	D7/317

D416,163 S	*	11/1999	Doritty et al.	.....	D7/319
D439,790 S	*	4/2001	Matsushita et al.	.....	D7/319
D440,110 S	*	4/2001	Tanner et al.	.....	D7/319
D444,662 S	*	7/2001	McGrath et al.	.....	D7/319
D444,843 S	*	7/2001	Hilgers et al.	.....	D23/207
D445,293 S	*	7/2001	Lillelund et al.	.....	D7/319

\* cited by examiner

*Primary Examiner*—M. N. Pandozzi

(74) *Attorney, Agent, or Firm*—Olson & Hierl, Ltd.

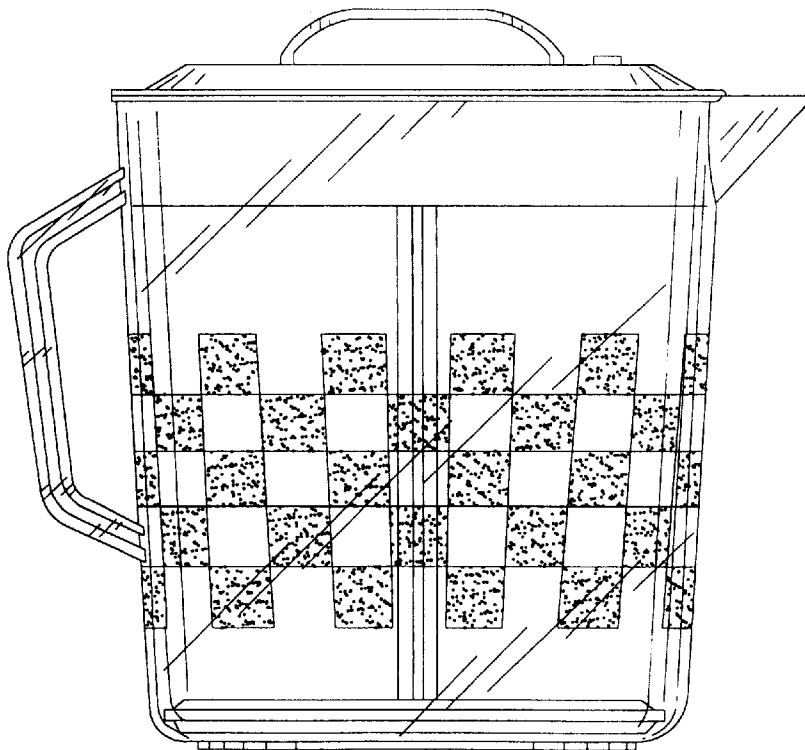
(57) **CLAIM**

The ornamental design for a mixing pitcher, as shown and described.

**DESCRIPTION**

FIG. 1 is a perspective view of the inventive design for a mixing pitcher;  
 FIG. 2 is a side elevational view of the FIG. 1 design;  
 FIG. 3 is an opposite side elevational view of the FIG. 1 design;  
 FIG. 4 is a bottom plan view of the FIG. 1 design;  
 FIG. 5 is a top plan view of the FIG. 1 design;  
 FIG. 6 is a front end elevational view of the FIG. 1 design; and,  
 FIG. 7 is a rear end elevational view of the FIG. 1 design.

**1 Claim, 3 Drawing Sheets**



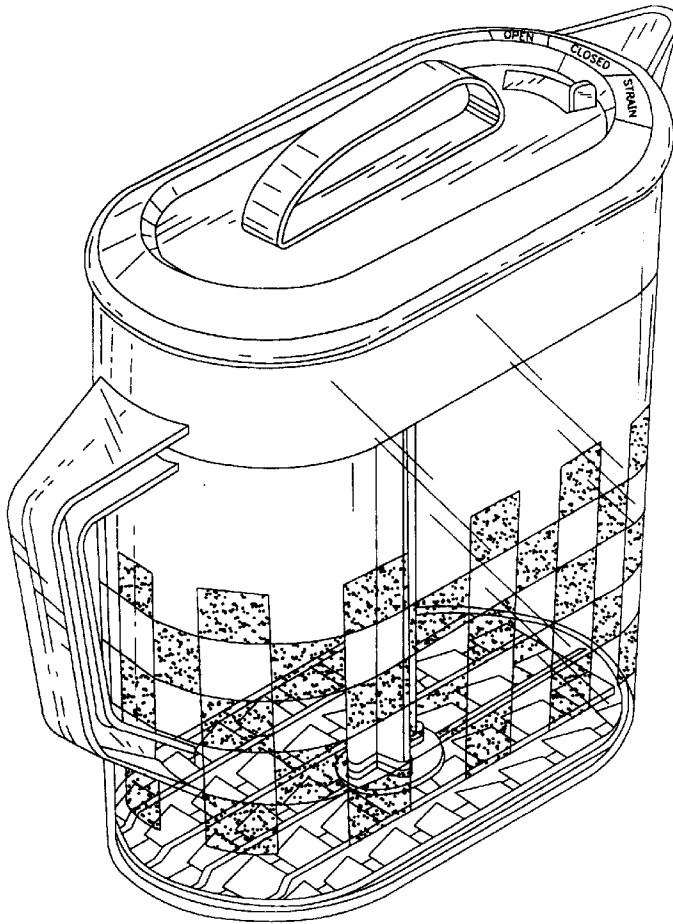


FIG. 1

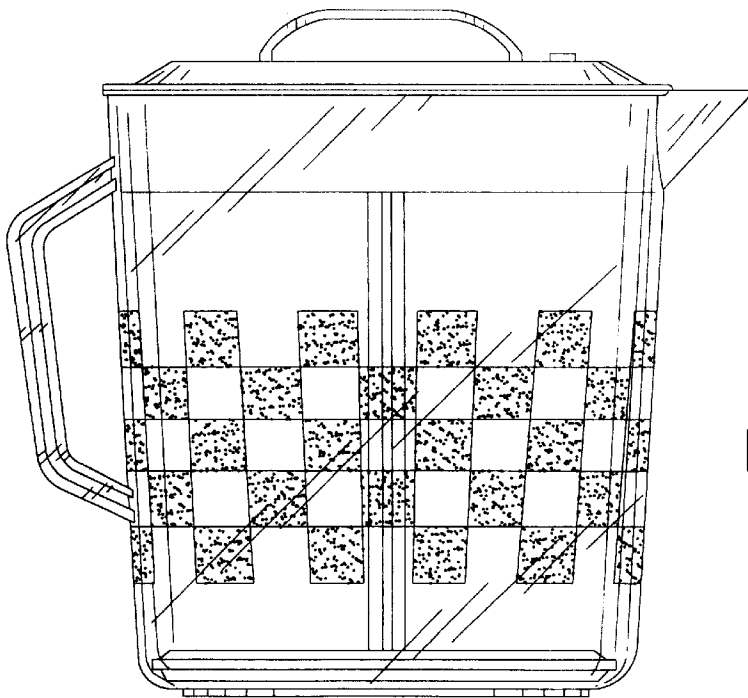


FIG. 2

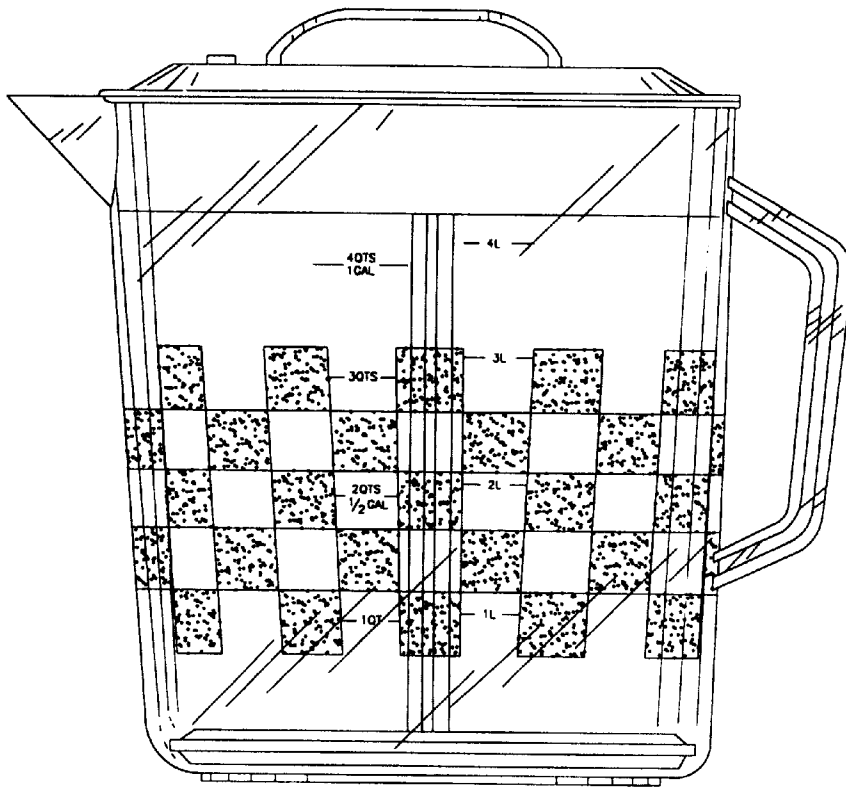


FIG. 3

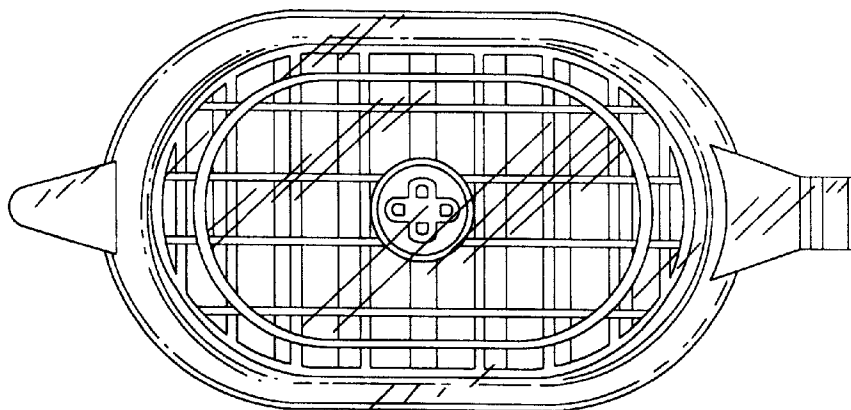


FIG. 4

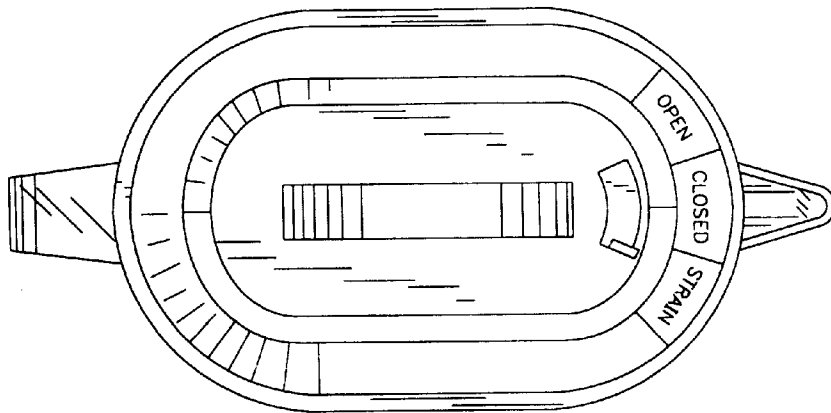


FIG. 5

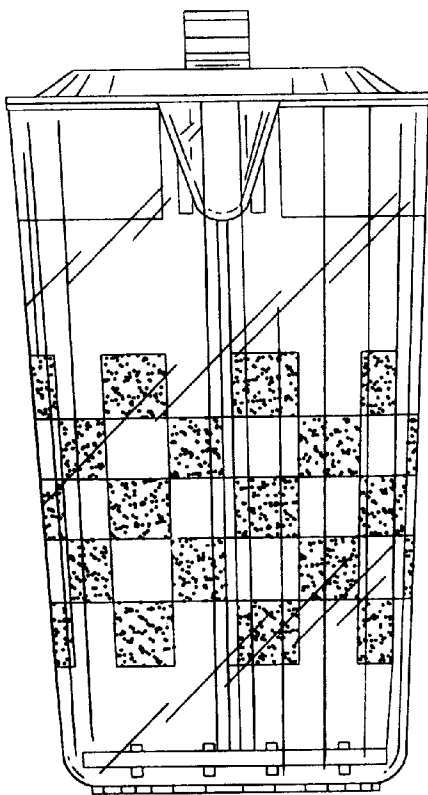


FIG. 6

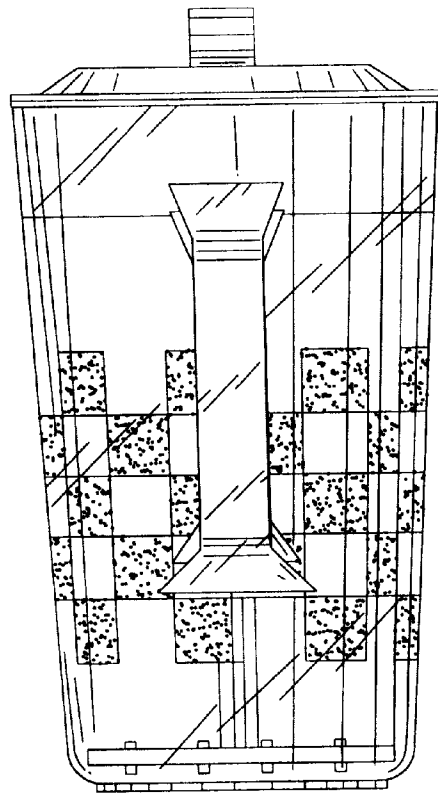


FIG. 7