

(19) World Intellectual Property Organization
International Bureau



(43) International Publication Date
5 November 2009 (05.11.2009)

(10) International Publication Number
WO 2009/134629 A3

- (51) **International Patent Classification:**
H01L 31/09 (2006.01) *H01L 31/115* (2006.01)
H01L 31/101 (2006.01)
- (21) **International Application Number:**
PCT/US2009/040927
- (22) **International Filing Date:**
17 April 2009 (17.04.2009)
- (25) **Filing Language:** English
- (26) **Publication Language:** English
- (30) **Priority Data:**
12/111,413 29 April 2008 (29.04.2008) US
- (71) **Applicant (for all designated States except US):**
REDLEN TECHNOLOGIES [CA/CA]; 9865 West Saanich Road, Suite #107, Sidney, British Columbia, V8L 5Y8 (CA).
- (72) **Inventors; and**
- (75) **Inventors/Applicants (for US only):** **LU, Pinghe** [CA/CA]; C/o Redlen Technologies, 9865 West Saanich Road, Suite #107, Sidney, British Columbia, V8L 5Y8 (CA). **CHEN, Henry** [US/CA]; C/o Redlen Technologies, 9865 West Saanich Road, Suite #107, Sidney, British Columbia, V8L 5Y8 (CA). **BINDLEY, Glenn** [CA/CA]; C/o Redlen Technologies, 9865 West Saanich Road, Suite #107, Sidney, British Columbia, V8L 5Y8 (CA).
- (74) **Agents:** **RADOMSKY, Leon** et al.; Foley & Lardner Llp, 3000 K Street NW, Washington, DC 22428 (US).

- (81) **Designated States (unless otherwise indicated, for every kind of national protection available):** AE, AG, AL, AM, AO, AT, AU, AZ, BA, BB, BG, BH, BR, BW, BY, BZ, CA, CH, CN, CO, CR, CU, CZ, DE, DK, DM, DO, DZ, EC, EE, EG, ES, FI, GB, GD, GE, GH, GM, GT, HN, HR, HU, ID, IL, IN, IS, JP, KE, KG, KM, KN, KP, KR, KZ, LA, LC, LK, LR, LS, LT, LU, LY, MA, MD, ME, MG, MK, MN, MW, MX, MY, MZ, NA, NG, NI, NO, NZ, OM, PG, PH, PL, PT, RO, RS, RU, SC, SD, SE, SG, SK, SL, SM, ST, SV, SY, TJ, TM, TN, TR, TT, TZ, UA, UG, US, UZ, VC, VN, ZA, ZM, ZW.
- (84) **Designated States (unless otherwise indicated, for every kind of regional protection available):** ARIPO (BW, GH, GM, KE, LS, MW, MZ, NA, SD, SL, SZ, TZ, UG, ZM, ZW), Eurasian (AM, AZ, BY, KG, KZ, MD, RU, TJ, TM), European (AT, BE, BG, CH, CY, CZ, DE, DK, EE, ES, FI, FR, GB, GR, HR, HU, IE, IS, IT, LT, LU, LV, MC, MK, MT, NL, NO, PL, PT, RO, SE, SI, SK, TR), OAPI (BF, BJ, CF, CG, CI, CM, GA, GN, GQ, GW, ML, MR, NE, SN, TD, TG).

Published:

- with international search report (Art. 21(3))
- before the expiration of the time limit for amending the claims and to be republished in the event of receipt of amendments (Rule 48.2(h))

(88) **Date of publication of the international search report:**
21 January 2010

(54) **Title:** ANISOTROPIC CONDUCTIVE FILM ATTACHMENT FOR RADIATION DETECTOR

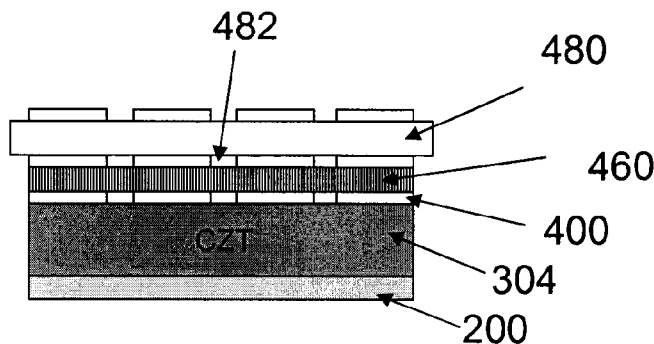


Fig. 4A

(57) **Abstract:** A device includes (a) radiation detector including a semiconductor substrate having opposing front and rear surfaces, a cathode electrode located on the front surface of said semiconductor substrate, and a plurality of anode electrodes on the rear surface of said semiconductor substrate, (b) a printed circuit board, and (c) an electrically conductive polymeric film disposed between circuit board and the anode electrodes. The polymeric film contains electrically conductive wires. The film bonds and electrically connects the printed circuit board and anode electrodes.



WO 2009/134629 A3

A. CLASSIFICATION OF SUBJECT MATTER**H01L 31/09(2006.01)i, H01L 31/101(2006.01)i, H01L 31/115(2006.01)i**

According to International Patent Classification (IPC) or to both national classification and IPC

B. FIELDS SEARCHED

Minimum documentation searched (classification system followed by classification symbols)

IPC: H01L 27/00, H01L 21/52, H01L 31/115, H01L 27/148

Documentation searched other than minimum documentation to the extent that such documents are included in the fields searched

Korean Utility models and applications for Utility models since 1975

Japanese Utility models and applications for Utility models since 1975

Electronic data base consulted during the international search (name of data base and, where practicable, search terms used)

eKOMPASS(KIPO internal) & keywords: radiation, detector, anisotropic, conductive, film or adhesive

C. DOCUMENTS CONSIDERED TO BE RELEVANT

Category*	Citation of document, with indication, where appropriate, of the relevant passages	Relevant to claim No.
X	WO 2004-097938 A1 (VUORELA, M. I.) 11 November 2004	1-3
Y	See figs. 5A-5C, claims 2,5, pages 8-10	4-22
Y	KR 10-2001-0069358 A (HYESUNG ELECTRONICS CO., LTD.) 25 July 2001 See page 3, claims 1-3	4-22
Y	US 06512233 B1 (SATO, T. et al.) 28 January 2003 See figs. 5-6, col. 5 line 58 - col.9 line 3, claim 1	1-25
Y	KR 10-0539082 B1 (NEPES CO., LTD.) 10 January 2006 See page 6, claims 1,9-12,34	1-25

 Further documents are listed in the continuation of Box C. See patent family annex.

* Special categories of cited documents:

"A" document defining the general state of the art which is not considered to be of particular relevance

"E" earlier application or patent but published on or after the international filing date

"L" document which may throw doubts on priority claim(s) or which is cited to establish the publication date of citation or other special reason (as specified)

"O" document referring to an oral disclosure, use, exhibition or other means

"P" document published prior to the international filing date but later than the priority date claimed

"T" later document published after the international filing date or priority date and not in conflict with the application but cited to understand the principle or theory underlying the invention

"X" document of particular relevance; the claimed invention cannot be considered novel or cannot be considered to involve an inventive step when the document is taken alone

"Y" document of particular relevance; the claimed invention cannot be considered to involve an inventive step when the document is combined with one or more other such documents, such combination being obvious to a person skilled in the art

"&" document member of the same patent family

Date of the actual completion of the international search

25 NOVEMBER 2009 (25.11.2009)

Date of mailing of the international search report

01 DECEMBER 2009 (01.12.2009)

Name and mailing address of the ISA/KR

Korean Intellectual Property Office
Government Complex-Daejeon, 139 Seonsa-ro, Seo-gu,
Daejeon 302-701, Republic of Korea

Facsimile No. 82-42-472-7140

Authorized officer

MAENG, Sung Jae

Telephone No. 82-42-481-5727



INTERNATIONAL SEARCH REPORT

Information on patent family members

International application No.

PCT/US2009/040927

Patent document cited in search report	Publication date	Patent family member(s)	Publication date
WO 2004-097938 A1	11.11.2004	AU 2003-232013 A1	23.11.2004
		AU 2003-232013 A8	23.11.2004
		AU 2003-232013 A1	28.04.2003
		AU 2003-232013 A8	28.04.2003
		EP 1606843 A4	21.02.2007
		EP 1606843 A1	21.12.2005
		JP 2006-521683 T	21.09.2006
		JP 2006-521683 A	21.09.2006
		KR 10-0647212 B1	23.11.2006
		KR 20060017741 A	27.02.2006
		US 07170062 B2	30.01.2007
		US 2003-0215056 A1	20.11.2003
		WO 2004-097938 A8	27.10.2005
		KR 10-2001-0069358 A	25.07.2001
US 06512233 B1	28.01.2003	JP 2001-242255 A	07.09.2001
KR 10-0539082 B1	10.01.2006	JP 2007-507880 A	29.03.2007
		US 07491572 B2	17.02.2009
		US 2007-0085180 A1	19.04.2007
		WO 2005-031875 A1	07.04.2005