



- (51) International Patent Classification:  
*E21B 17/01* (2006.01)
- (21) International Application Number:  
PCT/GB2012/000354
- (22) International Filing Date:  
18 April 2012 (18.04.2012)
- (25) Filing Language:  
English
- (26) Publication Language:  
English
- (30) Priority Data:  
1106473.0 18 April 2011 (18.04.2011) GB  
13/158,100 10 June 2011 (10.06.2011) US  
1112469.0 20 July 2011 (20.07.2011) GB  
1116226.0 20 September 2011 (20.09.2011) GB
- (71) Applicant (for all designated States except US): **MAGMA GLOBAL LIMITED** [GB/GB]; Ground Floor Building, 1000 Lakeside North Harbour, Western Road, Portsmouth P06 3EZ (GB).

AO, AT, AU, AZ, BA, BB, BG, BH, BR, BW, BY, BZ, CA, CH, CL, CN, CO, CR, CU, CZ, DE, DK, DM, DO, DZ, EC, EE, EG, ES, FI, GB, GD, GE, GH, GM, GT, HN, HR, HU, ID, IL, IN, IS, JP, KE, KG, KM, KN, KP, KR, KZ, LA, LC, LK, LR, LS, LT, LU, LY, MA, MD, ME, MG, MK, MN, MW, MX, MY, MZ, NA, NG, NI, NO, NZ, OM, PE, PG, PH, PL, PT, QA, RO, RS, RU, RW, SC, SD, SE, SG, SK, SL, SM, ST, SV, SY, TH, TJ, TM, TN, TR, TT, TZ, UA, UG, US, UZ, VC, VN, ZA, ZM, ZW.

- (84) Designated States (unless otherwise indicated, for every kind of regional protection available): ARIPO (BW, GH, GM, KE, LR, LS, MW, MZ, NA, RW, SD, SL, SZ, TZ, UG, ZM, ZW), Eurasian (AM, AZ, BY, KG, KZ, MD, RU, TJ, TM), European (AL, AT, BE, BG, CH, CY, CZ, DE, DK, EE, ES, FI, FR, GB, GR, HR, HU, IE, IS, IT, LT, LU, LV, MC, MK, MT, NL, NO, PL, PT, RO, RS, SE, SI, SK, SM, TR), OAPI (BF, BJ, CF, CG, CI, CM, GA, GN, GQ, GW, ML, MR, NE, SN, TD, TG).

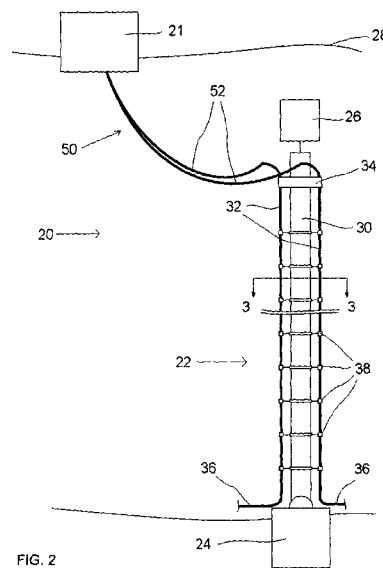
**Published:**

- with international search report (Art. 21(3))
- before the expiration of the time limit for amending the claims and to be republished in the event of receipt of amendments (Rule 48.2(h))

- (72) Inventor; and
- (75) Inventor/Applicant (for US only): **HATTON, Stephen** [GB/GB]; Waverley, Send Marsh Road, Woking, Surrey GU23 6JB (GB).
- (74) Agent: **DOCHERTY, Andrew**; Marks & Clerk LLP, Aurora, 120 Bothwell Street, Glasgow G2 7JS (GB).
- (81) Designated States (unless otherwise indicated, for every kind of national protection available): AE, AG, AL, AM,

- (88) Date of publication of the international search report:  
10 October 2013

(54) Title: HYBRID RISER SYSTEM



(57) Abstract: A hybrid riser system (20) comprises a lower riser section (22) secured between a lower subsea anchor (24) and an upper buoyant structure (26), and an upper riser section (50) extending between the lower riser section (22) and a surface or near surface vessel (21). The lower riser section (22) comprises an elongate support (30) and one or more composite fluid conduits (32) secured to and extending adjacent to the elongate support (30). The composite fluid conduits (32) comprise a composite material formed of at least a matrix and one or more reinforcing elements embedded within the matrix. The upper riser section (50) comprises one or more flexible conduits (52) in fluid communication with the composite fluid conduits (32).



INTERNATIONAL SEARCH REPORT

International application No  
PCT/GB2012/000354

A. CLASSIFICATION OF SUBJECT MATTER  
INV. E21B17/01  
ADD.  
According to International Patent Classification (IPC) or to both national classification and IPC

B. FIELDS SEARCHED  
Minimum documentation searched (classification system followed by classification symbols)  
E21B

Documentation searched other than minimum documentation to the extent that such documents are included in the fields searched

Electronic data base consulted during the international search (name of data base and, where practicable, search terms used)  
EPO-Internal

C. DOCUMENTS CONSIDERED TO BE RELEVANT

Category*	Citation of document, with indication, where appropriate, of the relevant passages	Relevant to claim No.
Y	WO 99/57413 A1 (KVAERNER OILFIELD PROD AS [NO]; JAHNSEN OVE F [NO]; BAALERUD PER OLA [ ]) 11 November 1999 (1999-11-11) page 3, lines 1-15 page 4, lines 6-15; figures 1, 2 -----	1-38
Y	WO 02/072995 A1 (CSO AKER MARINE CONTRACTORS IN [US]) 19 September 2002 (2002-09-19) page 4, lines 10-14 page 14, lines 19-23; figures 1-9 -----	1-38
Y	FR 2 852 677 A1 (SAIPEM SA [FR]) 24 September 2004 (2004-09-24) page 21, line 8 - page 22, line 24; figures 1-11 -----	1-38
	-/--	

Further documents are listed in the continuation of Box C.

See patent family annex.

\* Special categories of cited documents :

- "A" document defining the general state of the art which is not considered to be of particular relevance
- "E" earlier application or patent but published on or after the international filing date
- "L" document which may throw doubts on priority claim(s) or which is cited to establish the publication date of another citation or other special reason (as specified)
- "O" document referring to an oral disclosure, use, exhibition or other means
- "P" document published prior to the international filing date but later than the priority date claimed

- "T" later document published after the international filing date or priority date and not in conflict with the application but cited to understand the principle or theory underlying the invention
- "X" document of particular relevance; the claimed invention cannot be considered novel or cannot be considered to involve an inventive step when the document is taken alone
- "Y" document of particular relevance; the claimed invention cannot be considered to involve an inventive step when the document is combined with one or more other such documents, such combination being obvious to a person skilled in the art
- "&" document member of the same patent family

Date of the actual completion of the international search  2 August 2013	Date of mailing of the international search report  12/08/2013
--	--

Name and mailing address of the ISA/ European Patent Office, P.B. 5818 Patentlaan 2 NL - 2280 HV Rijswijk Tel. (+31-70) 340-2040, Fax: (+31-70) 340-3016	Authorized officer  Manolache, Iustin
--	---

## INTERNATIONAL SEARCH REPORT

International application No  
PCT/GB2012/000354

C(Continuation). DOCUMENTS CONSIDERED TO BE RELEVANT		
Category*	Citation of document, with indication, where appropriate, of the relevant passages	Relevant to claim No.
Y	US 5 657 823 A (KOGURE EIJI [JP] ET AL) 19 August 1997 (1997-08-19) column 5, line 44 - column 6, line 39; figures 1-4 -----	1-38
Y	US 4 462 717 A (FALCIMAIGNE JEAN [FR]) 31 July 1984 (1984-07-31) column 3, line 15 - column 4, line 56; figures 1-5 -----	1-38

## INTERNATIONAL SEARCH REPORT

Information on patent family members

International application No

PCT/GB2012/000354

Patent document cited in search report	Publication date	Patent family member(s)	Publication date	
WO 9957413	A1	11-11-1999	AU 3854399 A	23-11-1999
			BR 9909671 A	19-12-2000
			GB 2353309 A	21-02-2001
			US 6612370 B1	02-09-2003
			WO 9957413 A1	11-11-1999
WO 02072995	A1	19-09-2002	US 2002168232 A1	14-11-2002
			WO 02072995 A1	19-09-2002
FR 2852677	A1	24-09-2004	AT 333567 T	15-08-2006
			BR PI0408419 A	21-03-2006
			EP 1606490 A1	21-12-2005
			FR 2852677 A1	24-09-2004
			US 2006131027 A1	22-06-2006
			WO 2004085794 A1	07-10-2004
US 5657823	A	19-08-1997	EP 0802302 A1	22-10-1997
			JP 3843334 B2	08-11-2006
			NO 973051 A	06-08-1997
			US 5657823 A	19-08-1997
			WO 9718380 A1	22-05-1997
US 4462717	A	31-07-1984	BR 8203460 A	07-06-1983
			ES 8307978 A1	01-11-1983
			FR 2507672 A1	17-12-1982
			GB 2103570 A	23-02-1983
			IT 1151630 B	24-12-1986
			JP S58588 A	05-01-1983
			JP H0158314 B2	11-12-1989
			MX 7515 E	29-05-1989
			NL 8202329 A	03-01-1983
			NO 821919 A	13-12-1982
			US 4462717 A	31-07-1984