



US00D669282S

(12) **United States Design Patent**  
**Yamamoto**

(10) **Patent No.:** **US D669,282 S**

(45) **Date of Patent:** **\*\* Oct. 23, 2012**

(54) **TABLE**

(75) Inventor: **Takayuki Yamamoto**, Yokohama (JP)

(73) Assignee: **Okamura Corporation**, Yokohama-shi (JP)

(\*\*) Term: **14 Years**

(21) Appl. No.: **29/417,520**

(22) Filed: **Apr. 4, 2012**

**Related U.S. Application Data**

(62) Division of application No. 29/387,367, filed on Mar. 11, 2011.

(30) **Foreign Application Priority Data**

Sep. 13, 2010 (JP) ..... 2010-022071  
Sep. 13, 2010 (JP) ..... 2010-022072  
Sep. 13, 2010 (JP) ..... 2010-022073

(51) **LOC (9) Cl.** ..... **06-03**

(52) **U.S. Cl.** ..... **D6/429; D6/486**

(58) **Field of Classification Search** ..... D6/480-489,  
D6/429-431, 495-499; 108/150, 152, 153.1,  
108/157.1, 161, 144.11, 147.19, 145-147;  
248/188, 188.1, 188.7, 188.8  
See application file for complete search history.

(56) **References Cited**

**U.S. PATENT DOCUMENTS**

D165,584 S 1/1952 Johnson  
5,823,120 A 10/1998 Holmquist

D403,900 S \* 1/1999 Hutton ..... D6/484  
D414,634 S 10/1999 Smith et al.  
D441,224 S 5/2001 Scheper et al.  
D463,168 S 9/2002 Goodworth  
D480,900 S 10/2003 Tolfsen et al.  
D611,737 S \* 3/2010 Miller et al. .... D6/486  
D615,324 S 5/2010 Yamamoto  
D640,486 S 6/2011 Saelid

\* cited by examiner

*Primary Examiner* — Janice Seeger

(74) *Attorney, Agent, or Firm* — Sughrue Mion, PLLC

(57) **CLAIM**

The ornamental design for a table, as shown and described.

**DESCRIPTION**

FIG. 1 is a perspective view of a table according to my new design.

FIG. 2 is a front elevation view thereof.

FIG. 3 is a right side elevation view thereof.

FIG. 4 is a rear elevation view thereof.

FIG. 5 is a left side elevation view thereof.

FIG. 6 is a top plan view thereof.

FIG. 7 is a bottom plan view thereof.

FIG. 8 is a sectional view of Line 8-8 in FIG. 2.

FIG. 9 is a sectional view of Line 9-9 in FIG. 2.

FIG. 10 is a sectional view of Line 10-10 in FIG. 2.

FIG. 11 is a right side elevation view thereof with the top board lifted; and,

FIG. 12 is a perspective view thereof with the top board lifted.

**1 Claim, 12 Drawing Sheets**

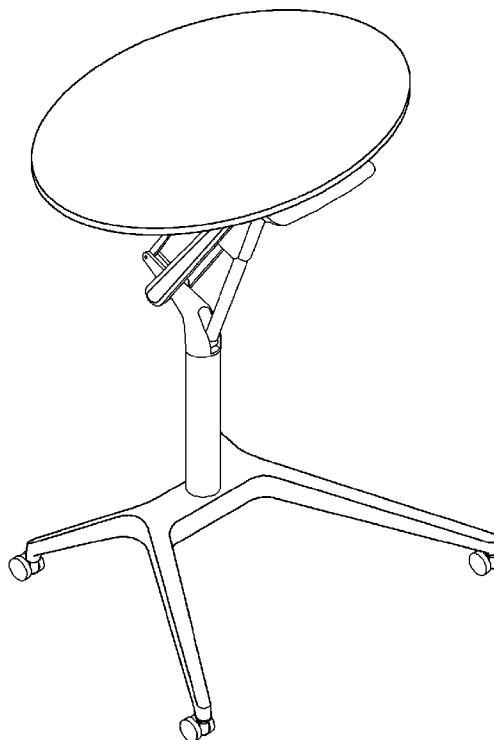
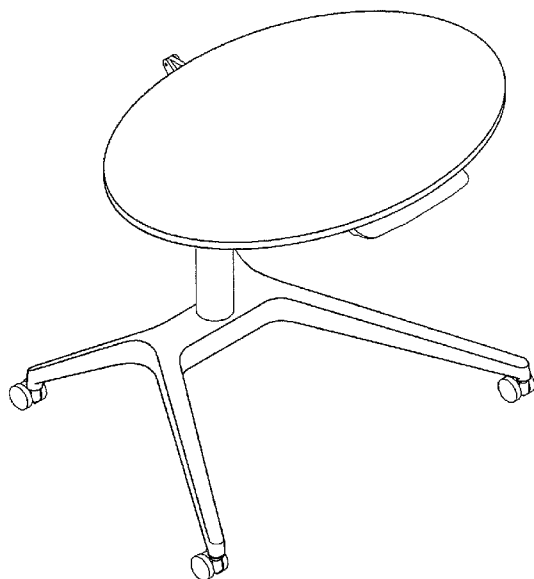


FIG. 1

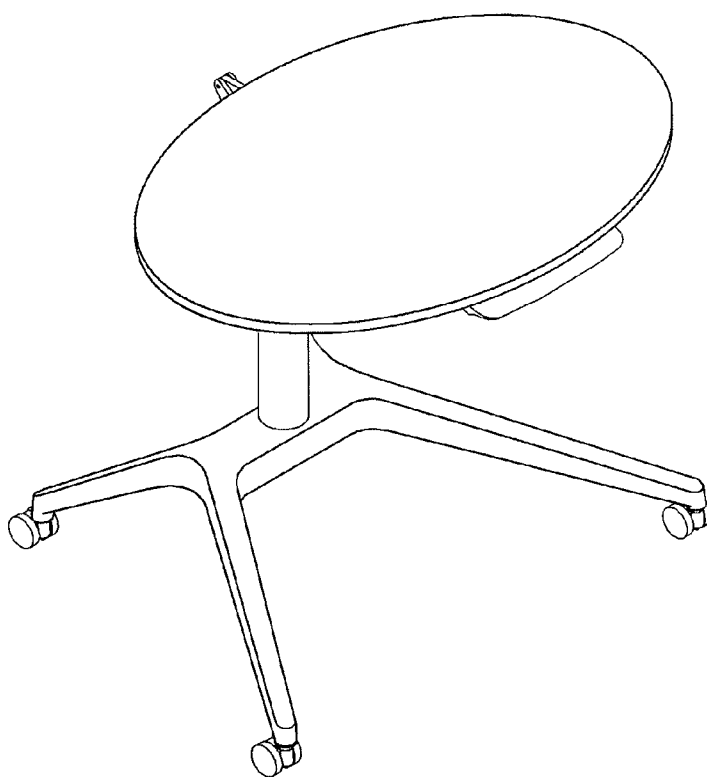


FIG. 2

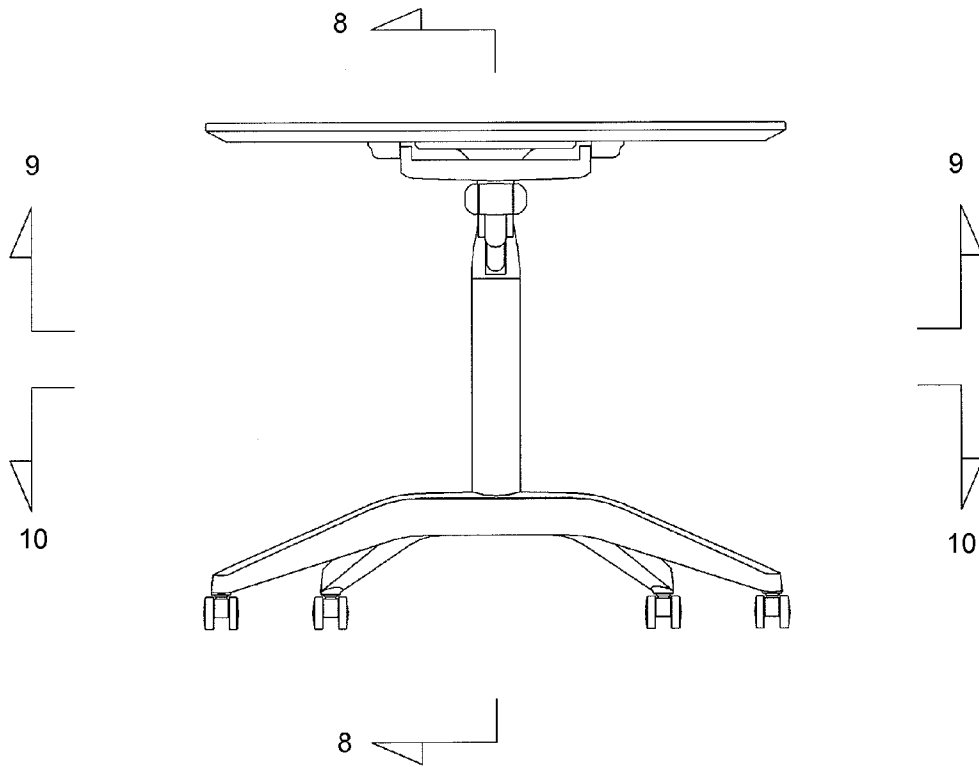


FIG. 3

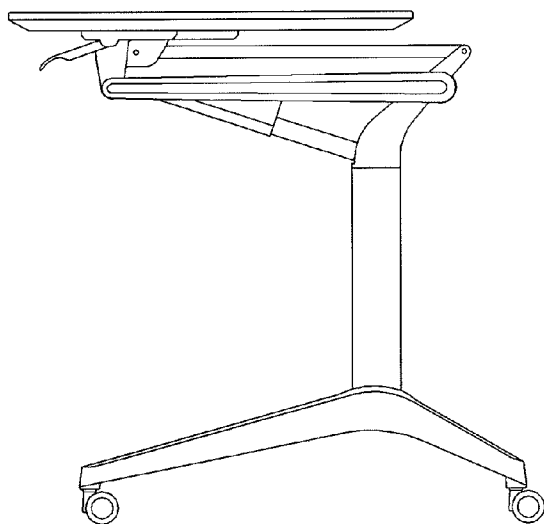


FIG. 4

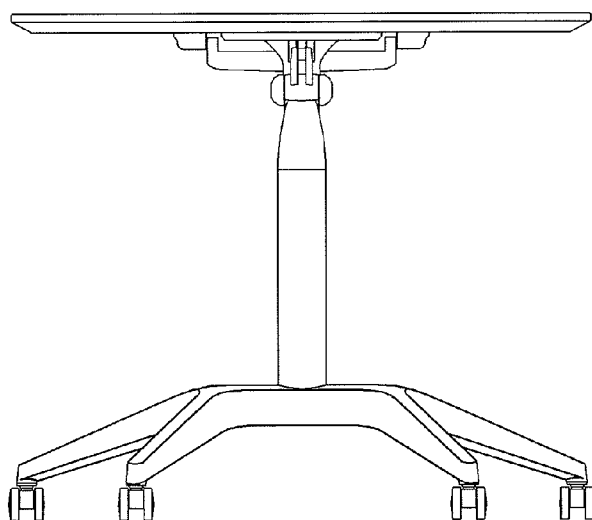


FIG. 5

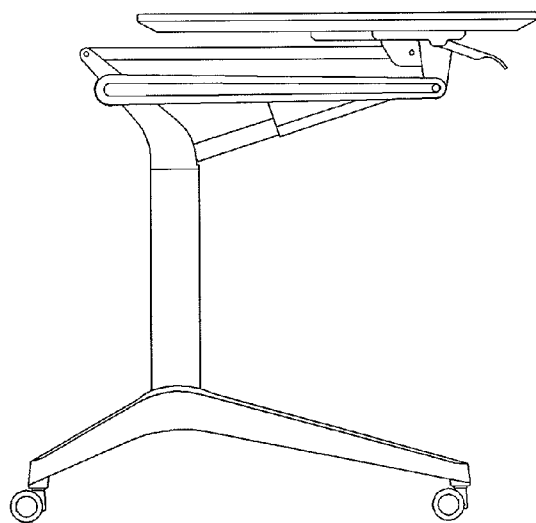


FIG. 6

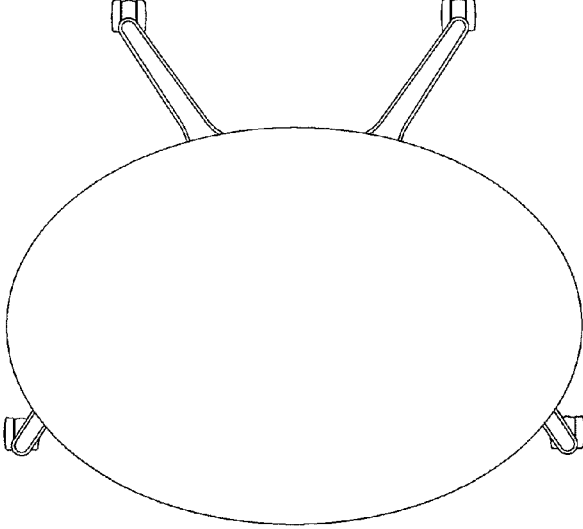


FIG. 7

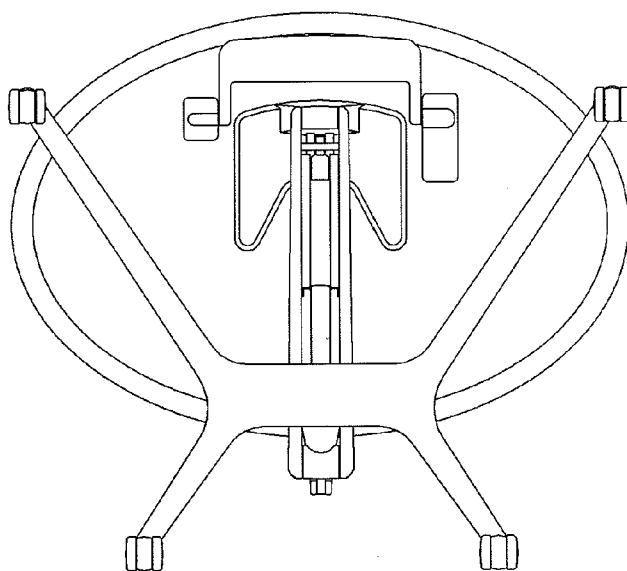


FIG. 8

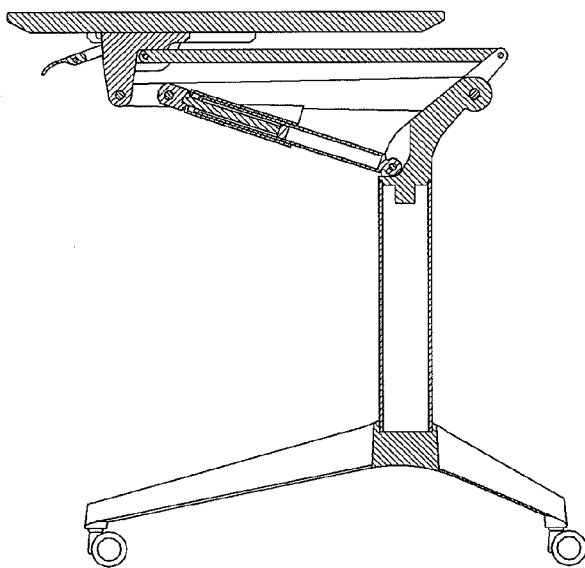


FIG. 9

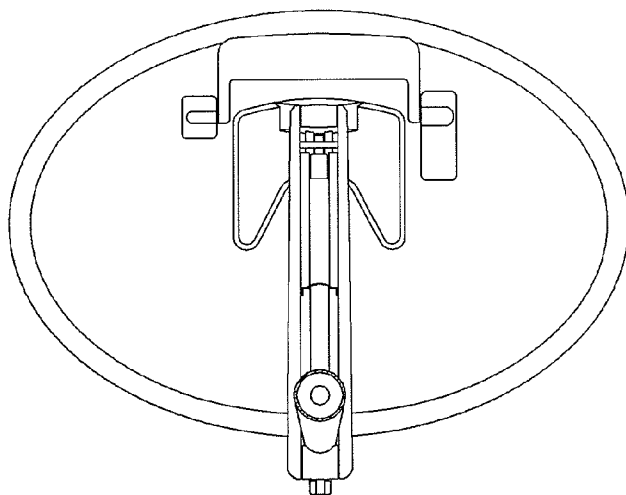


FIG. 10

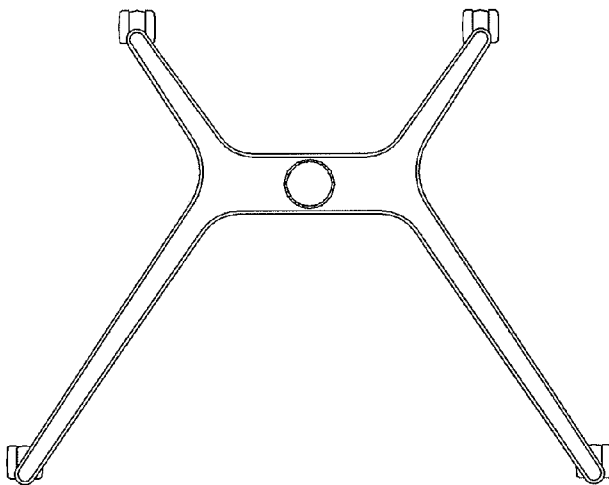


FIG. 11

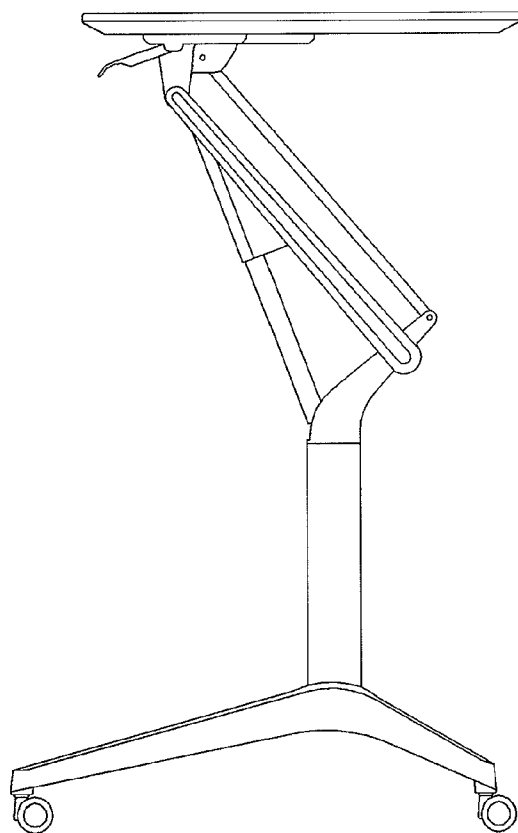


FIG. 12

