



US00D605149S

(12) **United States Design Patent**
Kim et al.

(10) **Patent No.:** **US D605,149 S**

(45) **Date of Patent:** **** Dec. 1, 2009**

(54) **TV RECEIVER**

(75) Inventors: **Kyoung Hoon Kim**, Seoul (KR); **Jun Ho Yang**, Kyungki-do (KR); **Yun Je Kang**, Kyungki-Do (KR)

(73) Assignee: **Samsung Electronics Co., Ltd.**, Suwon (KR)

(**) Term: **14 Years**

(21) Appl. No.: **29/335,499**

(22) Filed: **Apr. 16, 2009**

(51) **LOC (9) Cl.** **14-03**

(52) **U.S. Cl.** **D14/126**

(58) **Field of Classification Search** D14/126, D14/239, 371, 374-377, 440, 450, 448, 336, D14/342; 348/836, 838, 180, 184, 325, 739; 341/12; 248/917-924, 465; 345/104, 133, 345/156, 168, 87, 173; 720/605, 669, 600, 720/655; 369/99, 197; 455/344, 347; D21/329, D21/515, 577, 622, 333, 433, 448, 452, 450, D21/331; D6/477, 479, 300; 273/148 B; 446/484, 175, 356; D10/15, 26
See application file for complete search history.

(56) **References Cited**

U.S. PATENT DOCUMENTS

D563,916 S * 3/2008 Shimizu et al. D14/126
D566,068 S * 4/2008 Shimizu et al. D14/126

D572,684 S * 7/2008 Suzuki et al. D14/126
D578,972 S * 10/2008 Oh et al. D14/126
D584,704 S * 1/2009 Quaglio D14/126
D584,705 S * 1/2009 Shimamoto D14/126
D585,853 S * 2/2009 Lee et al. D14/126
D587,665 S * 3/2009 Isshiki D14/126
D589,917 S * 4/2009 Kaneko et al. D14/126
D593,974 S * 6/2009 Yang et al. D14/126
D594,830 S * 6/2009 Shiraki et al. D14/129

* cited by examiner

Primary Examiner—Joel Sincavage

Assistant Examiner—Abraham Bahta

(74) *Attorney, Agent, or Firm*—Ladas and Parry LLP

(57) **CLAIM**

The ornamental design for a TV receiver, as shown and described.

DESCRIPTION

FIG. 1 is a front/right-side/top perspective view of a TV receiver showing our new design;

FIG. 2 is a front-side elevational view thereof;

FIG. 3 is a rear-side elevational view thereof;

FIG. 4 is a left-side elevational view thereof;

FIG. 5 is a right-side elevational view thereof;

FIG. 6 is a top-side elevational view thereof; and,

FIG. 7 is a bottom-side elevational view thereof.

1 Claim, 6 Drawing Sheets

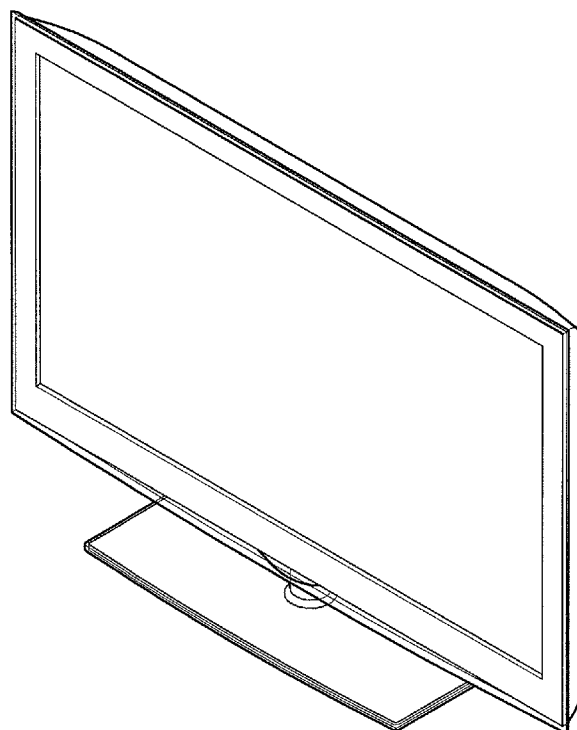


FIG. 1

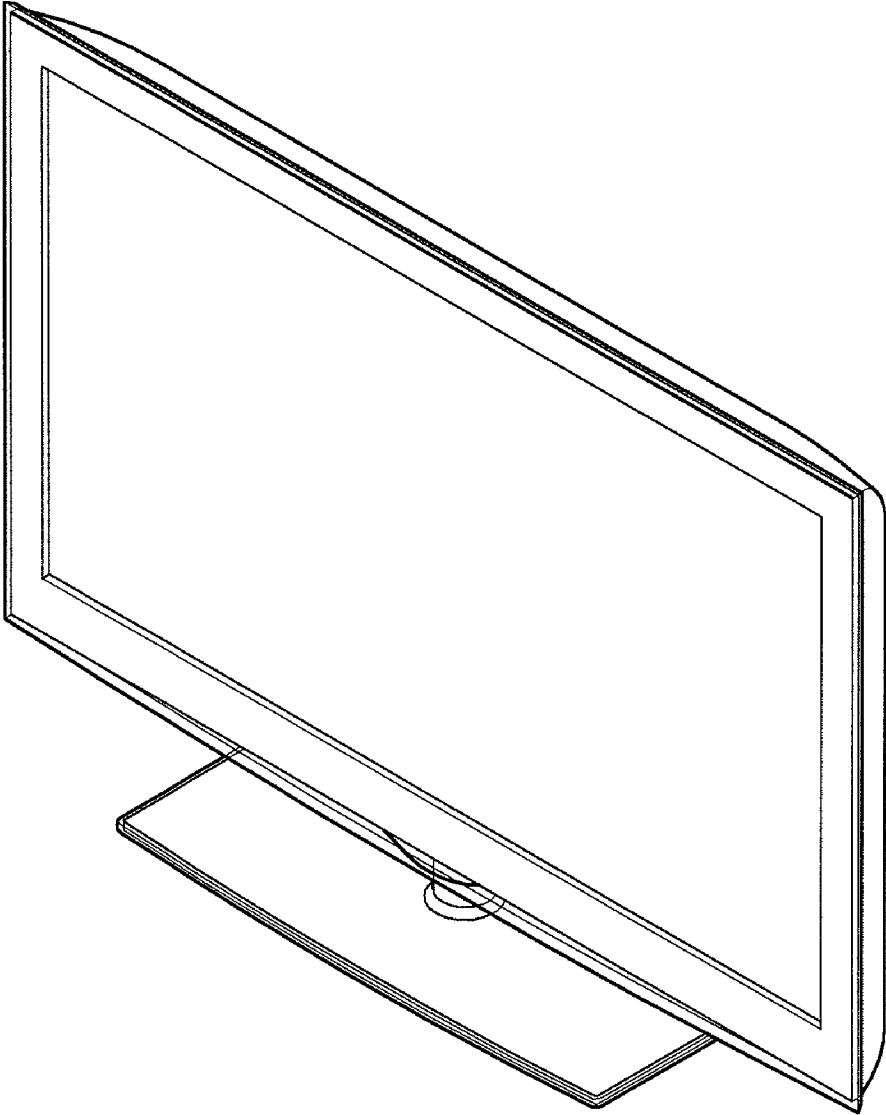


FIG. 2

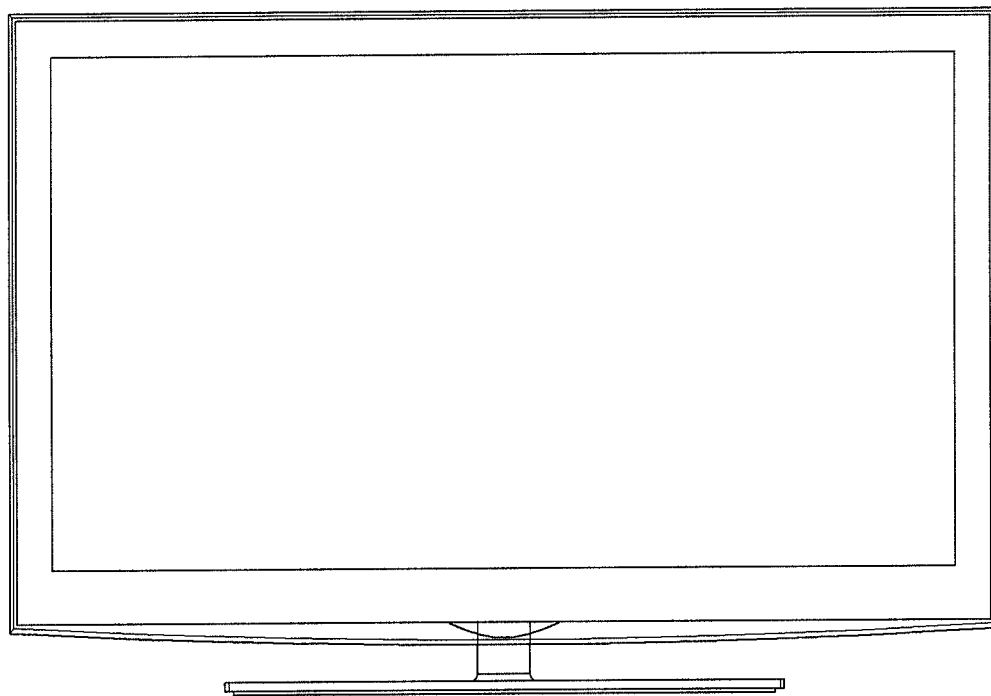


FIG. 3

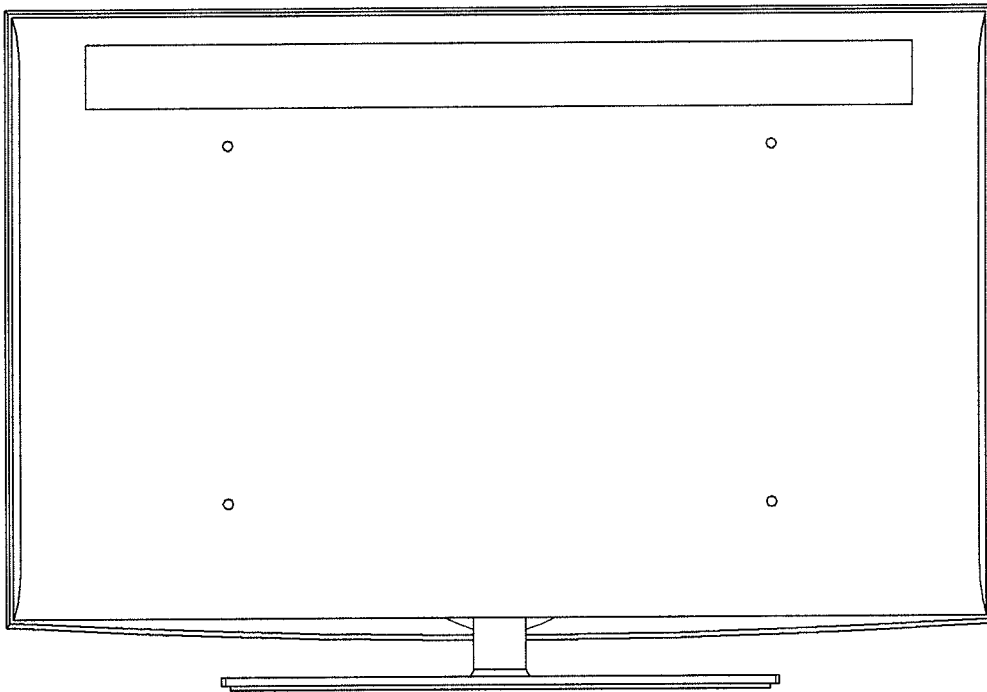


FIG. 4

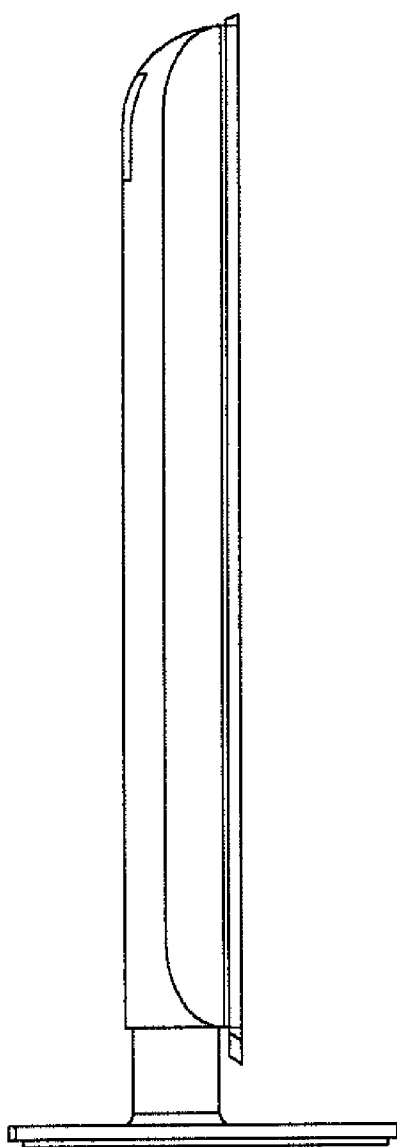


FIG. 5

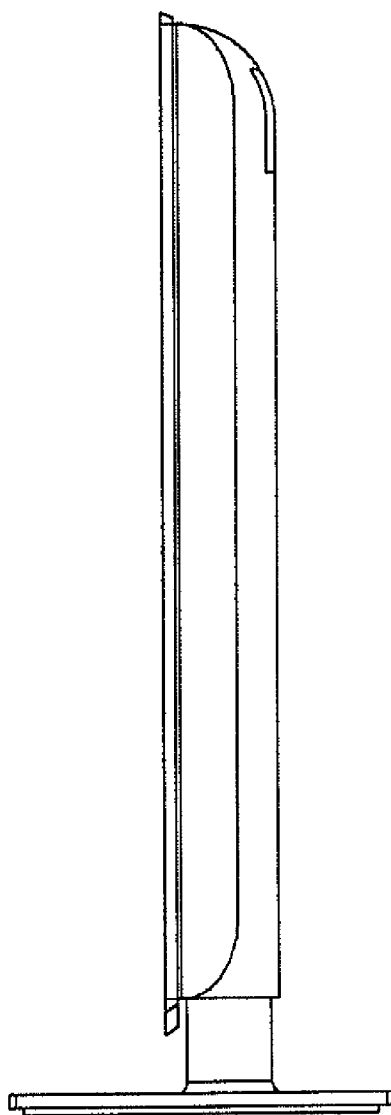


FIG. 6

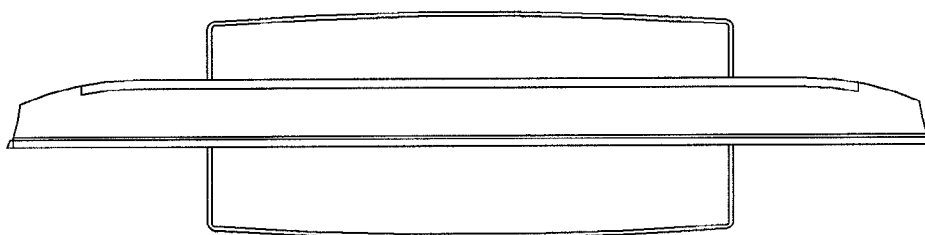


FIG. 7

