

(12) **United States Design Patent**
Choi et al.

(10) **Patent No.:** **US D778,010 S**
(45) **Date of Patent:** **** *Jan. 31, 2017**

(54) **DRYER**

(71) Applicant: **Samsung Electronics Co., Ltd.**,
Suwon-si (KR)

(72) Inventors: **Hyoung-Sub Choi**, Goyang-si (KR);
Deok-Sang Yun, Ansan-si (KR)

(73) Assignee: **SAMSUNG ELECTRONICS CO., LTD.** (KR)

(*) Notice: This patent is subject to a terminal disclaimer.

(**) Term: **15 Years**

(21) Appl. No.: **29/530,970**

(22) Filed: **Jun. 22, 2015**

D289,212	S	*	4/1987	Nakamura	D32/6
D300,279	S	*	3/1989	Umehara	D32/6
D313,679	S	*	1/1991	Sakamoto	D32/6
5,783,918	A	*	7/1998	Choi	G05B 19/042 312/319.5
D422,387	S	*	4/2000	Mutoh	D32/25
D465,307	S	*	11/2002	Du	D32/6
D470,632	S	*	2/2003	Oda	D32/6
D479,373	S	*	9/2003	Silva	D32/25
D481,499	S	*	10/2003	Moreira da Silva	D32/25
D492,073	S	*	6/2004	Sneddon	D32/6
D516,258	S	*	2/2006	Matsusaki	D32/1
D519,692	S	*	4/2006	Jun	D32/6
D521,197	S	*	5/2006	Kim	D32/8
D537,991	S	*	3/2007	Jun	D32/6
D547,915	S	*	7/2007	Jun	D32/6
D557,466	S	*	12/2007	Suh	D32/6
D583,114	S	*	12/2008	Jeon	D32/8
D642,753	S	*	8/2011	Ha	D32/6
D658,340	S	*	4/2012	Jeon	D32/6

(Continued)

Primary Examiner — T. Chase Nelson
Assistant Examiner — Michelle E Wilson
(74) *Attorney, Agent, or Firm* — Cantor Colburn LLP

(30) **Foreign Application Priority Data**

Dec. 22, 2014 (KR) 30-2014-0062388

(51) **LOC (10) Cl.** **15-05**

(52) **U.S. Cl.**
USPC **D32/8**

(58) **Field of Classification Search**
USPC D32/6, 8, 1, 25, 5; D7/340, 405
CPC D06F 58/00; D06F 58/02; D06F 58/04;
D06F 58/20
See application file for complete search history.

(57) **CLAIM**
The ornamental design for a dryer, as shown and described.

(56) **References Cited**

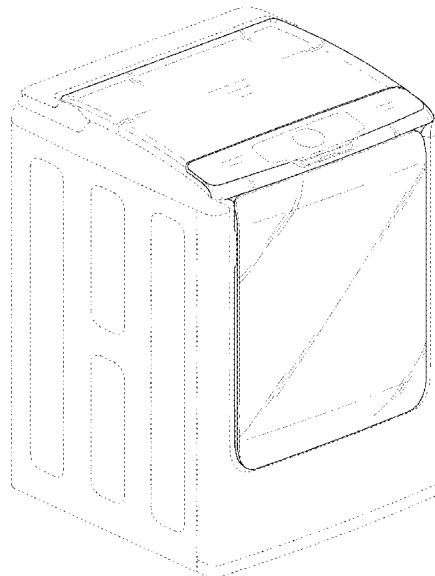
U.S. PATENT DOCUMENTS

2,416,405 A * 2/1947 Purpura D06F 58/02
34/134
D170,350 S * 9/1953 Bourner D32/8
4,631,934 A * 12/1986 Imanishi D06F 23/04
68/154

DESCRIPTION

FIG. 1 is a perspective view of a dryer, showing our new design;
FIG. 2 is a front view thereof;
FIG. 3 is a rear view thereof;
FIG. 4 is a side view thereof;
FIG. 5 is another side view thereof;
FIG. 6 is a top view thereof; and,
FIG. 7 is a bottom view thereof.
The broken lines in the figures are for environmental purposes only and form no part of the claimed design.

1 Claim, 7 Drawing Sheets



(56)

References Cited

U.S. PATENT DOCUMENTS

D663,907	S	*	7/2012	Jeon	D32/6
D663,908	S	*	7/2012	Jeon	D32/6
D664,313	S	*	7/2012	Chung	D32/6
D703,887	S	*	4/2014	Lee	D32/8
D729,467	S	*	5/2015	Jee	D32/6
D730,597	S	*	5/2015	Jeon	D32/8
D738,582	S	*	9/2015	Chung	D32/6

* cited by examiner

FIG. 1

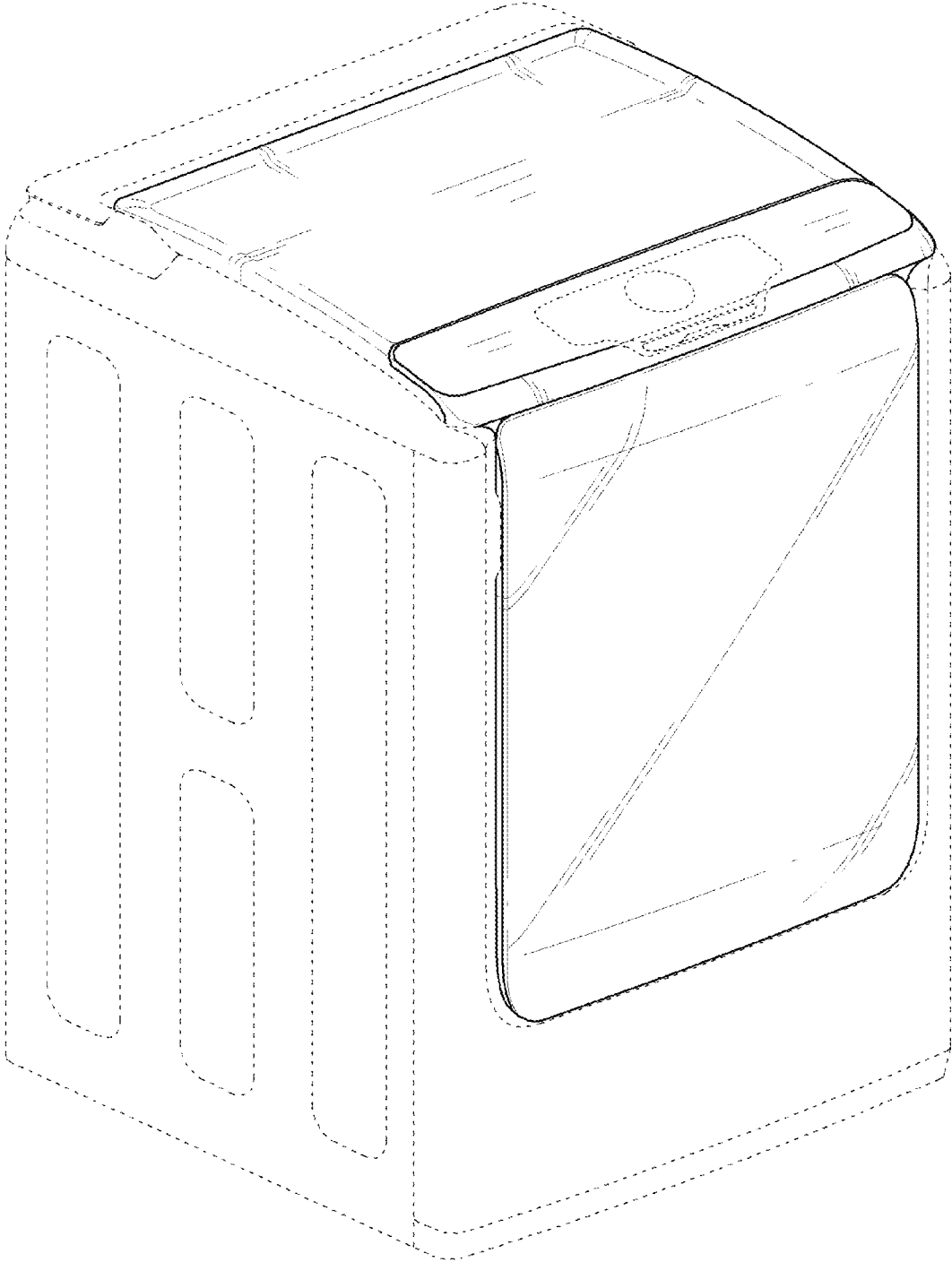


FIG. 2

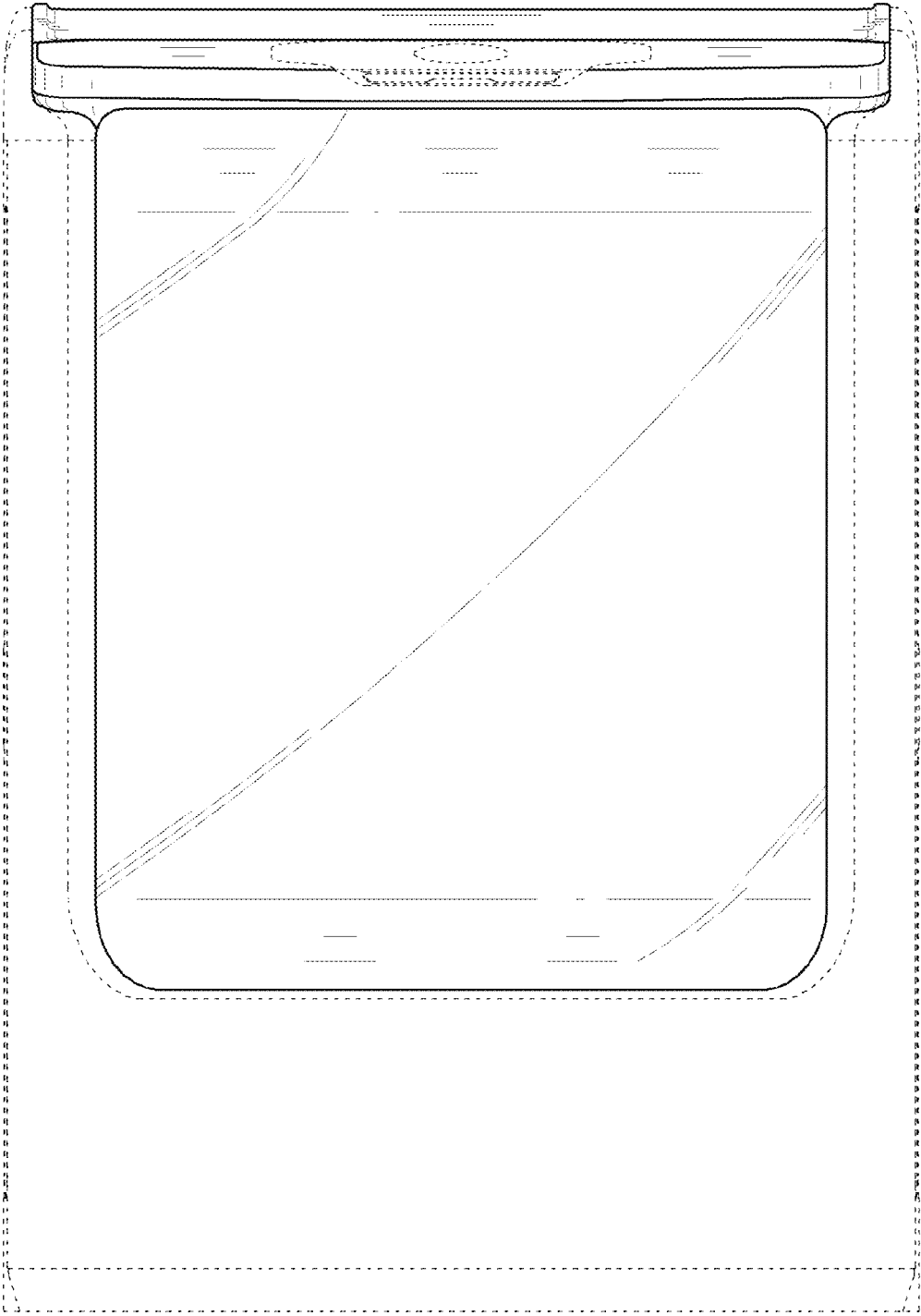


FIG. 3

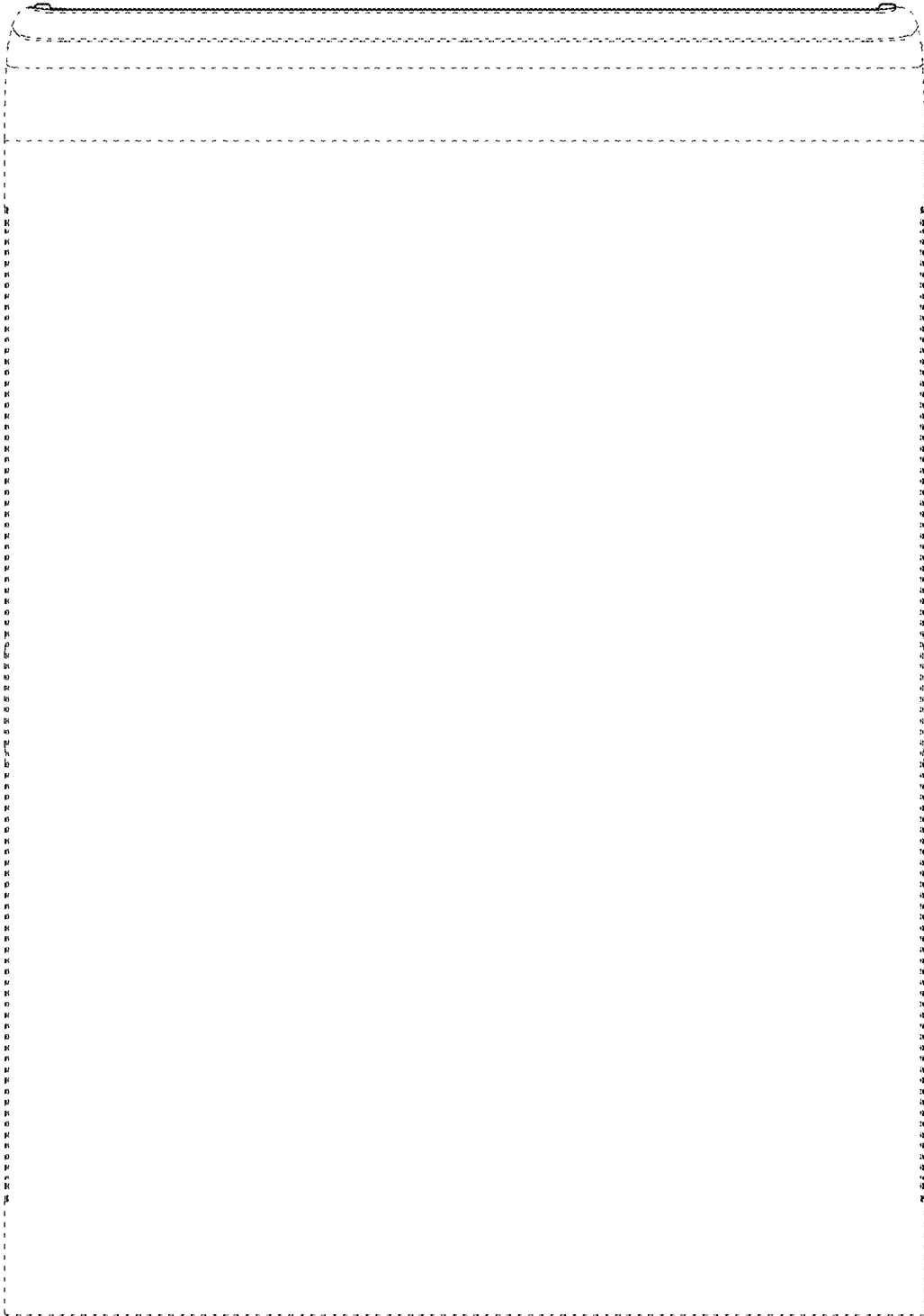


FIG. 4

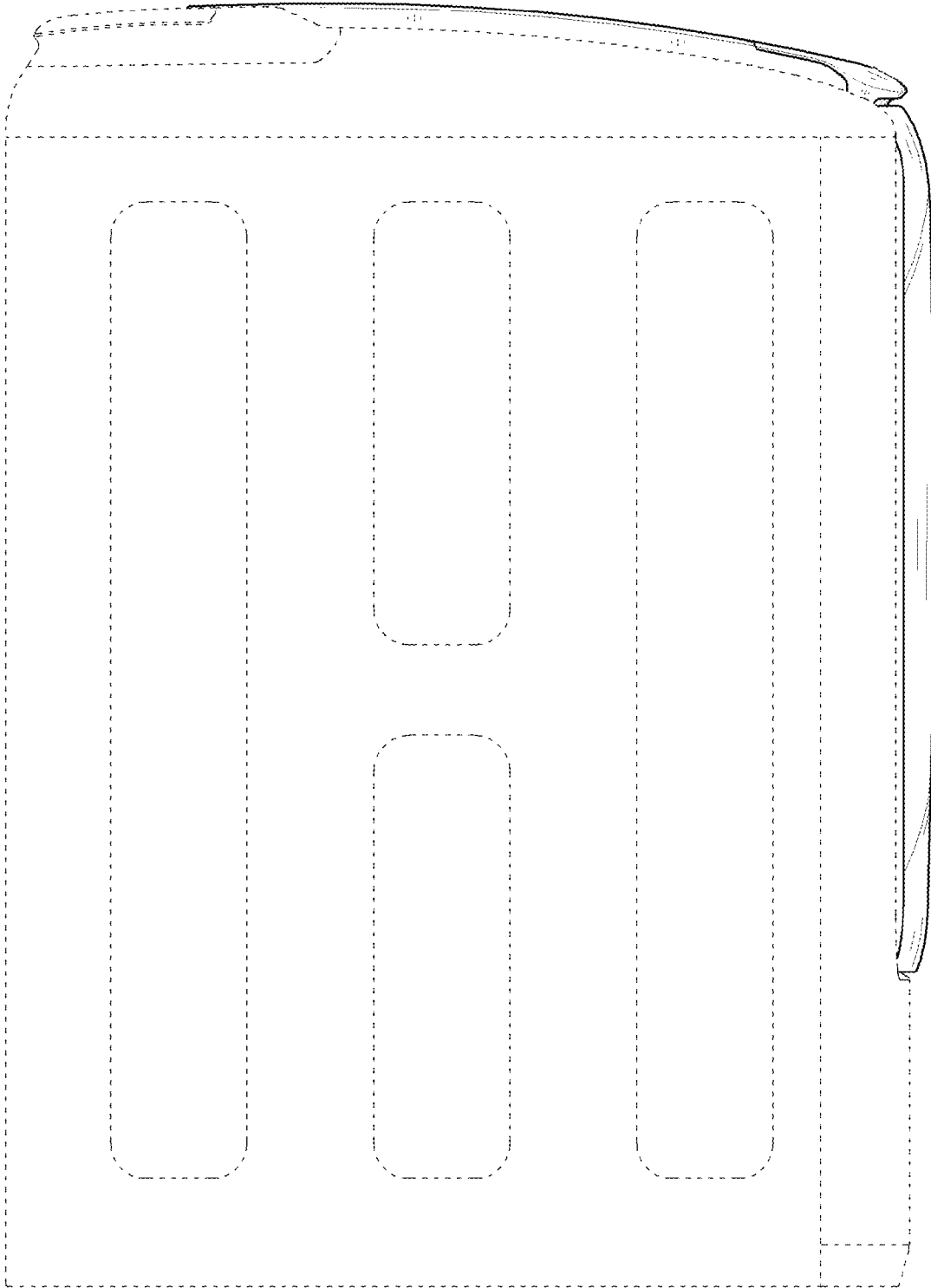


FIG. 5

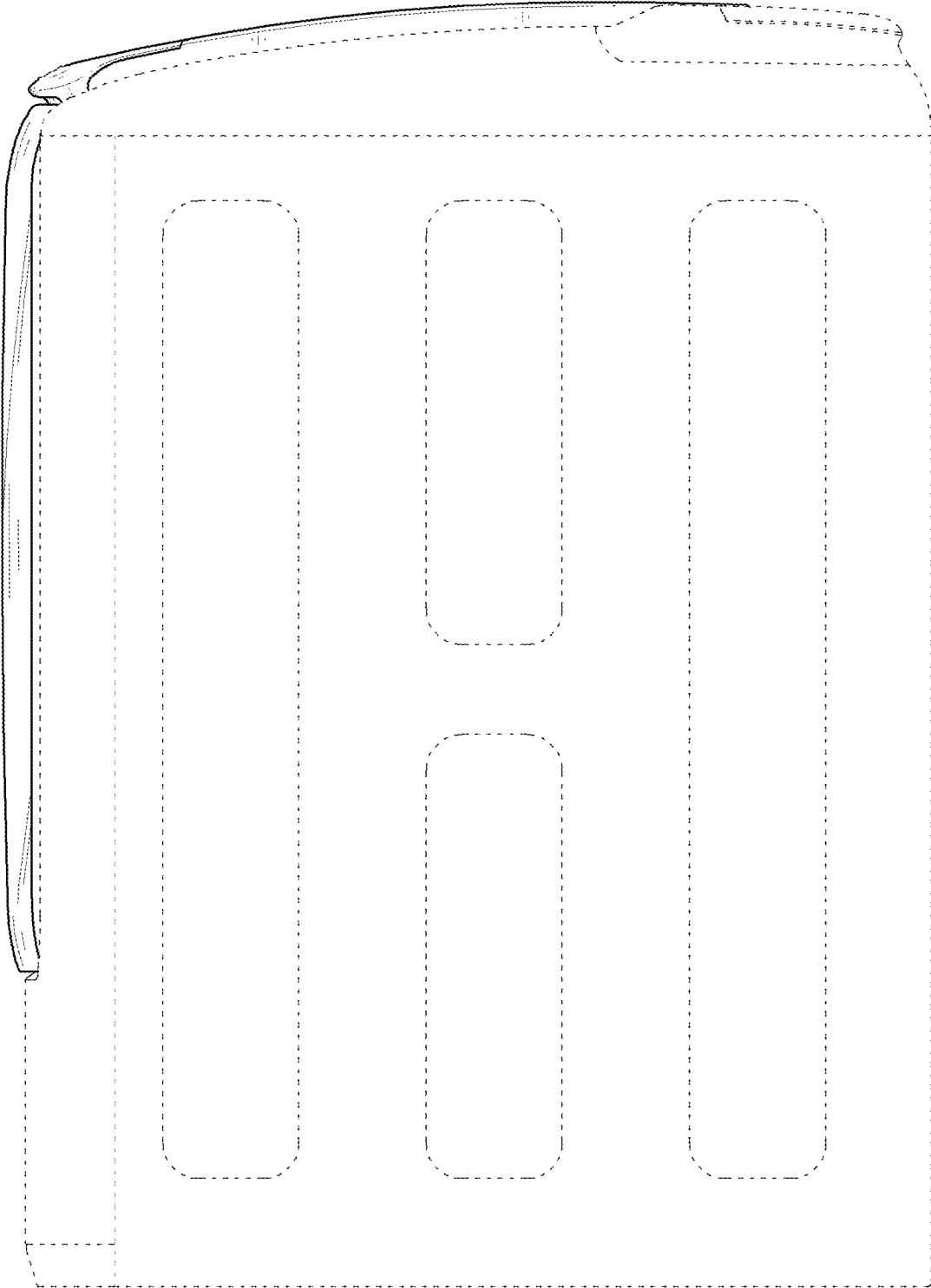


FIG. 6

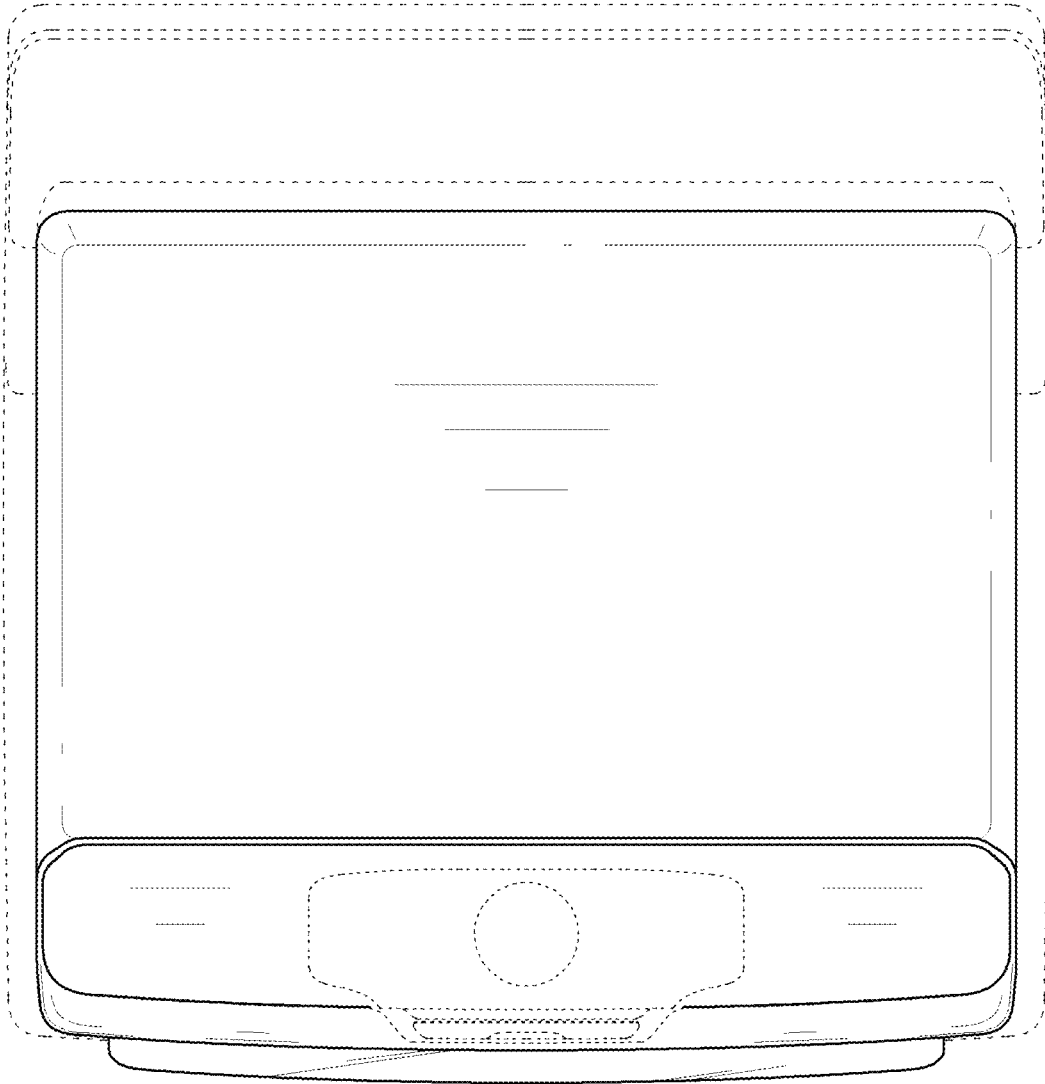


FIG. 7

