



US0D1024253S

(12) **United States Design Patent**
Bender

(10) **Patent No.:** **US D1,024,253 S**

(45) **Date of Patent:** **** Apr. 23, 2024**

- (54) **TRIGGER CASSETTE**
- (71) Applicant: **In Ovation LLC**, Vadnais Heights, MN (US)
- (72) Inventor: **Terrence Dwight Bender**, Minneapolis, MN (US)
- (73) Assignee: **In Ovation LLC**, Vadnais Heights, MN (US)
- (**) Term: **15 Years**
- (21) Appl. No.: **29/740,474**
- (22) Filed: **Jul. 3, 2020**
- (51) **LOC (14) Cl.** **22-01**
- (52) **U.S. Cl.**
USPC **D22/108**
- (58) **Field of Classification Search**
USPC D22/108, 199
CPC F41A 17/82; F41A 19/10; F41A 19/15
See application file for complete search history.
- (56) **References Cited**

U.S. PATENT DOCUMENTS

2,457,296	A	12/1948	Yawman
2,920,413	A	1/1960	Marhefka et al.
3,206,884	A	9/1965	Purvis
3,768,190	A	10/1973	Ruger et al.
4,004,496	A	1/1977	Snodgrass et al.
4,005,540	A	2/1977	Robinson
4,310,981	A	1/1982	Waddell
4,433,610	A	2/1984	Tatro
4,667,429	A	5/1987	Perazzi
4,680,884	A	7/1987	Smith, Jr. et al.
4,691,461	A	9/1987	Behlert
4,955,155	A	9/1990	Jones
5,018,292	A	5/1991	West
5,463,829	A	11/1995	Sprangers
5,503,137	A	4/1996	Fusco
5,548,914	A	8/1996	Anderson
5,623,114	A	4/1997	Soper

5,822,903	A	10/1998	Davis, Sr.
5,881,485	A	3/1999	Milazzo
5,904,132	A	5/1999	Biller
6,164,001	A	12/2000	Lee
6,298,594	B1	10/2001	Strayer
6,367,465	B1	4/2002	Buccieri, Jr.
6,615,527	B1	9/2003	Martin
6,651,642	B1	11/2003	Powers

(Continued)

OTHER PUBLICATIONS

Instagram post "PDI". 1 page, posted Jan. 17, 2020 by user "hiperfire." Date Accessed: Jul. 25, 2023. Retrieved from Internet URL: https://www.instagram.com/p/B7bTzqyJ_V7/?hl=en (Year: 2020).*

(Continued)

Primary Examiner — S. Bryan Reinholdt, Jr.
Assistant Examiner — Kaitlan Walker
(74) *Attorney, Agent, or Firm* — Laabs Intellectual Property

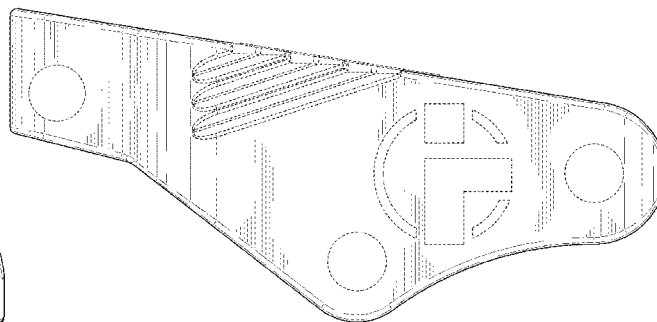
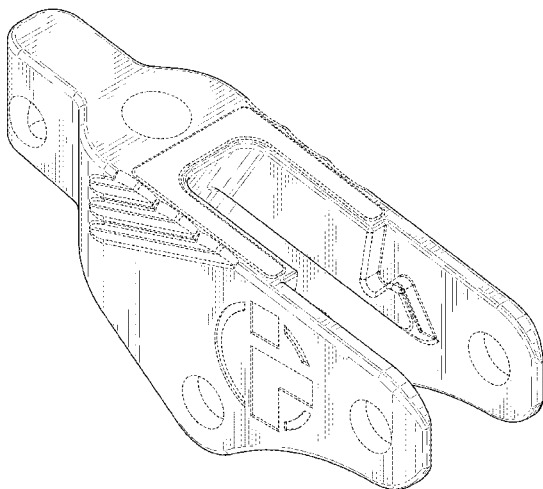
(57) **CLAIM**

The ornamental design for a trigger cassette, as shown and described.

DESCRIPTION

FIG. 1 is a right-front angled view of the trigger cassette, showing the new design.
FIG. 2 is a front view thereof.
FIG. 3 is a back view thereof.
FIG. 4 is a right-side view thereof.
FIG. 5 is a left-side view thereof.
FIG. 6 is a top view thereof; and,
FIG. 7 is a bottom view thereof.
The broken lines in the Figures depict unclaimed portions of the device and are for illustrative purposes only. The broken lines form no part of the claimed design.

1 Claim, 6 Drawing Sheets



(56)

References Cited

U.S. PATENT DOCUMENTS

6,659,324	B1 *	12/2003	Liu	B25C 1/008 227/8	2006/0207149	A1	9/2006	Lazor	
6,722,072	B1	4/2004	Mccormick		2008/0010889	A1	1/2008	Metzger et al.	
6,772,072	B2	8/2004	Ganguli et al.		2009/0183414	A1	7/2009	Geissele	
7,010,878	B1 *	3/2006	du Plessis	F41A 19/10 42/69.01	2009/0266348	A1	10/2009	Yeh	
7,162,824	B1	1/2007	Mccormick		2010/0229843	A1 *	9/2010	Hu	F41B 11/62 124/80
7,188,561	B1	3/2007	Kelbly		2010/0281739	A1	11/2010	Geissele	
7,293,385	B2	11/2007	Mccormick		2011/0167691	A1	7/2011	Bowman et al.	
7,331,136	B2	2/2008	Geissele et al.		2011/0167697	A1	7/2011	Geissele	
D580,007	S *	11/2008	Luth	D22/108	2012/0117841	A1	5/2012	Joubert et al.	
D593,617	S *	6/2009	Dochterman	D21/573	2012/0186122	A1 *	7/2012	Zamlinsky	F41A 19/10 42/71.01
D595,385	S *	6/2009	Luth	D22/108	2013/0047484	A1	2/2013	Wickser, Jr.	
7,600,338	B2	10/2009	Geissele		2013/0062390	A1 *	3/2013	Yeh	B25C 1/047 227/8
7,661,220	B2	2/2010	Crandall et al.		2013/0118050	A1	5/2013	Alicea	
7,854,084	B1	12/2010	Rutherford		2013/0167423	A1	7/2013	Lupher et al.	
7,992,338	B2	8/2011	Bowman et al.		2013/0213376	A1	8/2013	Kenworthy	
8,740,031	B2 *	6/2014	Lin	B25F 5/00 227/8	2013/0269233	A1	10/2013	Chin	
8,851,351	B2 *	10/2014	Yeh	B25C 1/047 227/8	2014/0366418	A1	12/2014	Stakes	
8,893,607	B2	11/2014	Audibert et al.		2016/0018176	A1	1/2016	Fellows et al.	
9,046,313	B1	6/2015	Lutton et al.		2016/0341507	A1 *	11/2016	Elftmann, Jr.	F41A 19/10
9,322,605	B1 *	4/2016	Noyons	F41A 17/54	2019/0368834	A1 *	12/2019	Schacht	F41A 19/14
D768,253	S *	10/2016	Bender	D22/108	2019/0368835	A1 *	12/2019	Schacht	F41A 19/15
10,006,733	B2 *	6/2018	Bender	F41A 19/16	2020/0088485	A1 *	3/2020	Martinez	F41A 19/15
D833,561	S *	11/2018	Pavlick	D22/108	2023/0221087	A1 *	7/2023	Strbac	F41A 19/15 42/69.01
D868,928	S *	12/2019	Geissele	D22/108					
10,514,223	B1 *	12/2019	Rounds	F41A 19/12					
10,731,937	B2 *	8/2020	Schacht	F41A 19/14					
11,231,246	B2 *	1/2022	Schacht	F41A 19/10					
11,274,894	B1 *	3/2022	Hill	F41A 17/46					
11,346,627	B1 *	5/2022	DeMonico	F41A 3/66					
11,592,255	B2 *	2/2023	Bender	F41A 19/14					
2003/0172571	A1 *	9/2003	West	F41A 19/10 42/69.01					
2005/0229911	A1	10/2005	Simo et al.						

OTHER PUBLICATIONS

Hiperfire's Way to Design a Drop-In, Online Article. Earliest Publication Date: Jan. 18, 2020. Date Accessed: Jul. 25, 2023. Retrieved from Internet URL: <https://www.hiperfire.com/hiperfires-way-to-design-a-drop-in/> (Year: 2020).*

Hiperfire Power Drop-In Triggers—Shot Show 2020, YouTube—AR15.com. Publication Date: Jan. 24, 2020. Date Accessed: Jul. 25, 2023. Retrieved from YouTube URL: <https://www.youtube.com/watch?v=tZhefJg9lgY> (Year: 2020).*

* cited by examiner

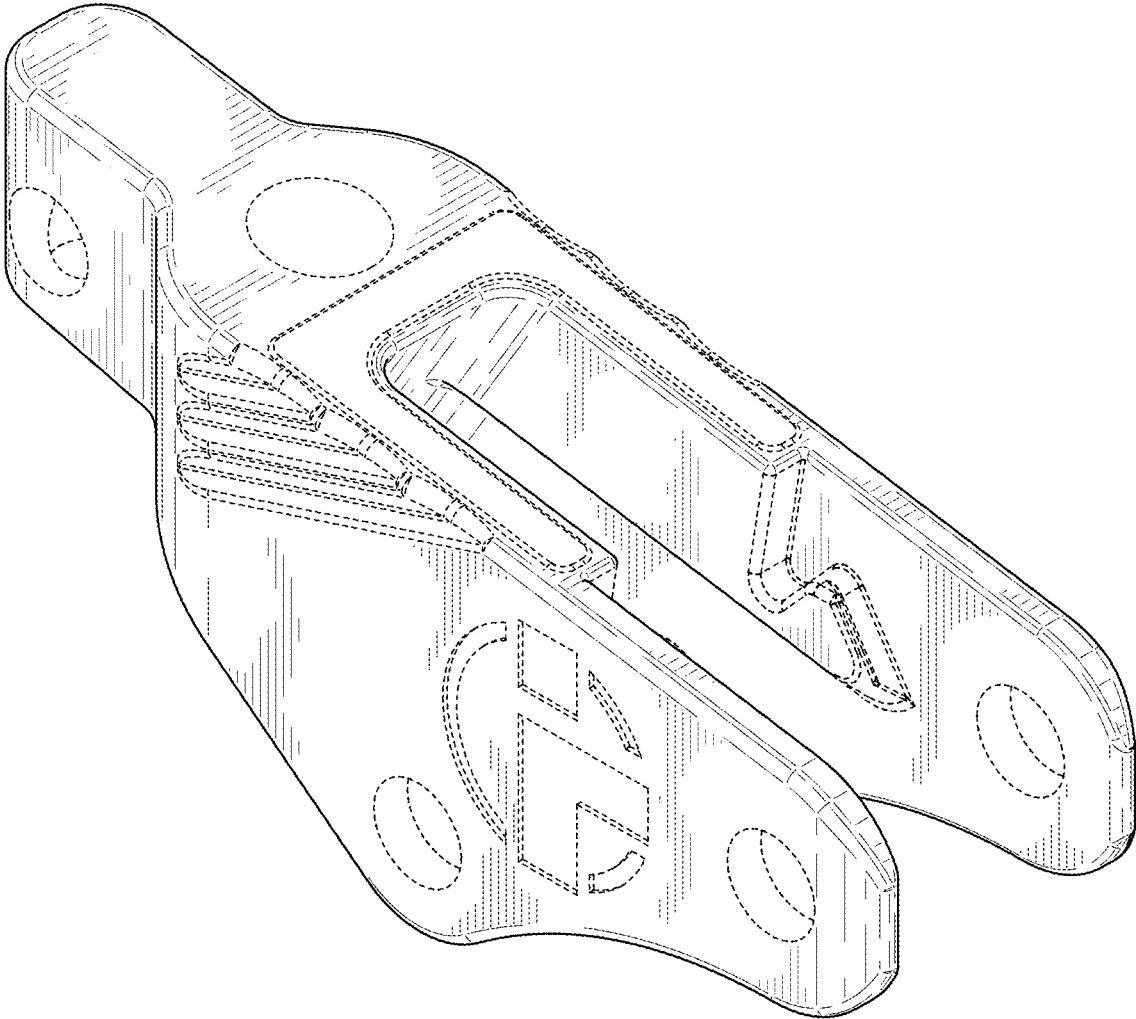


FIG. 1

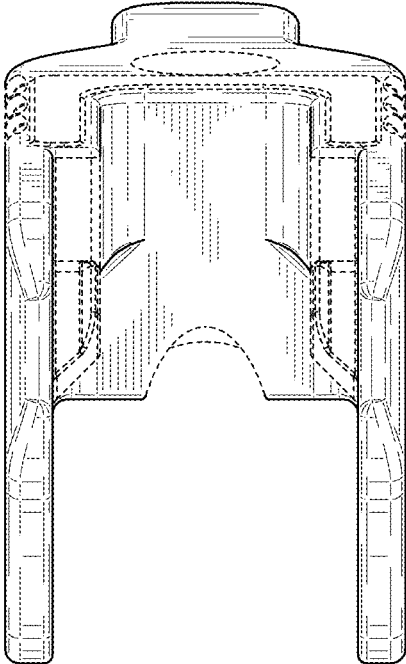


FIG. 2

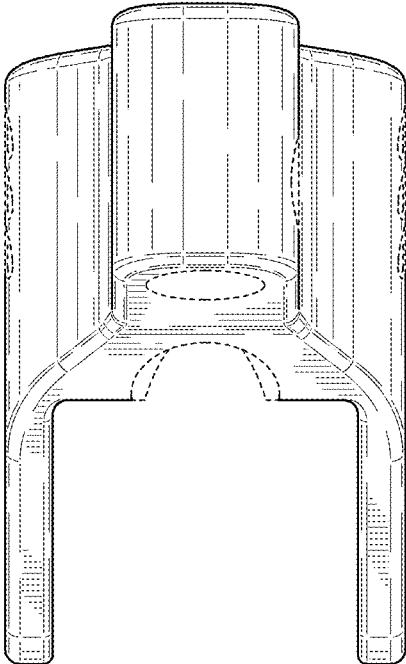


FIG. 3

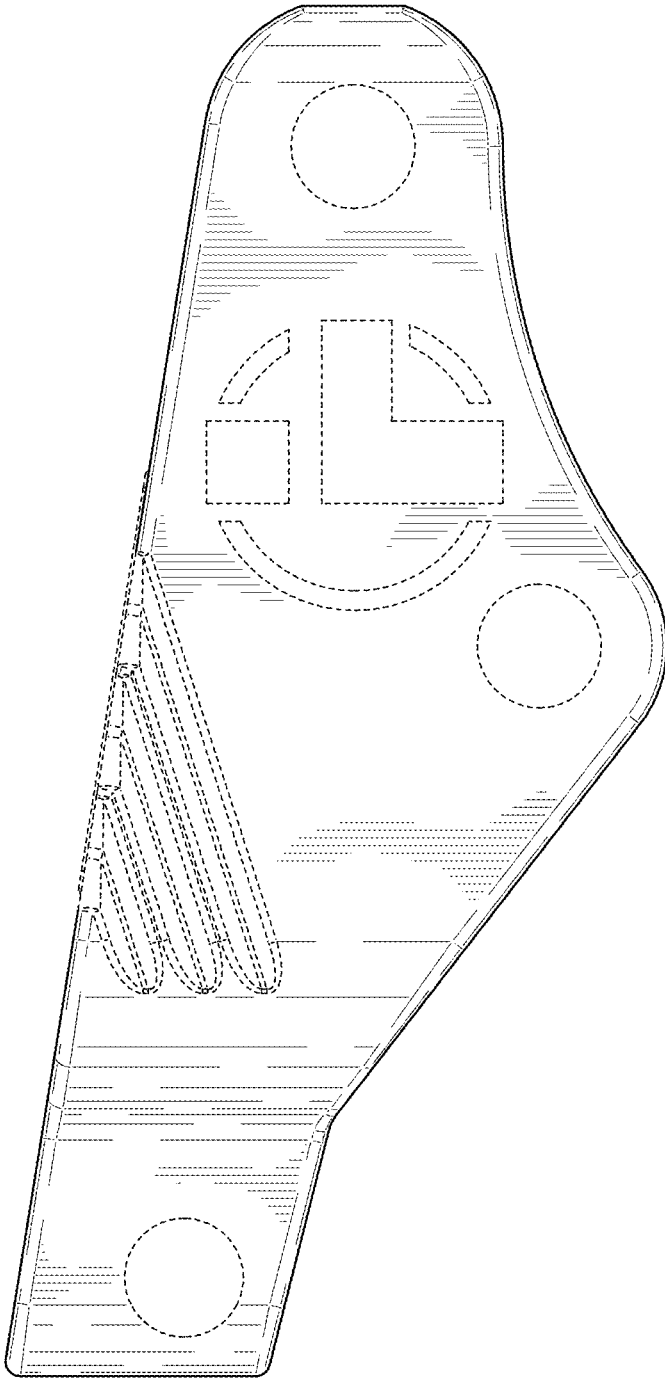


FIG. 4

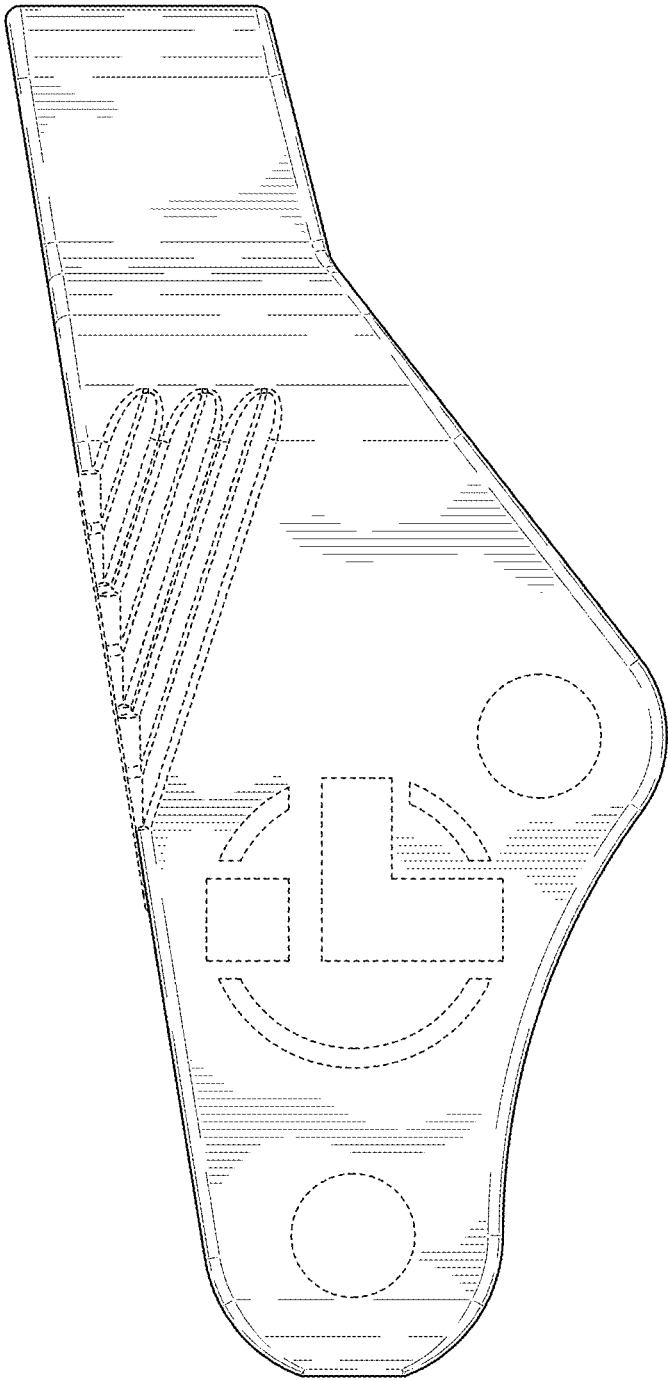


FIG. 5

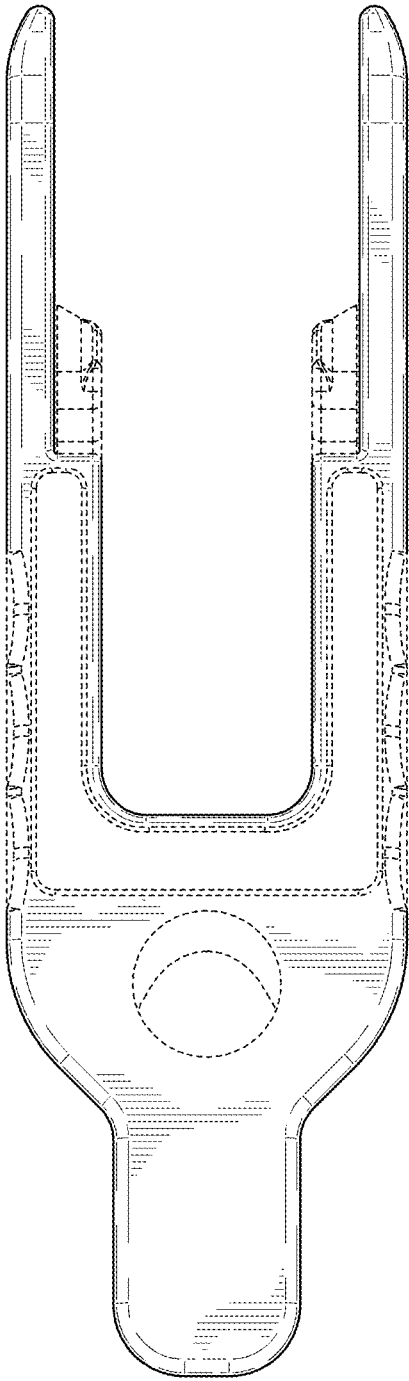


FIG. 6

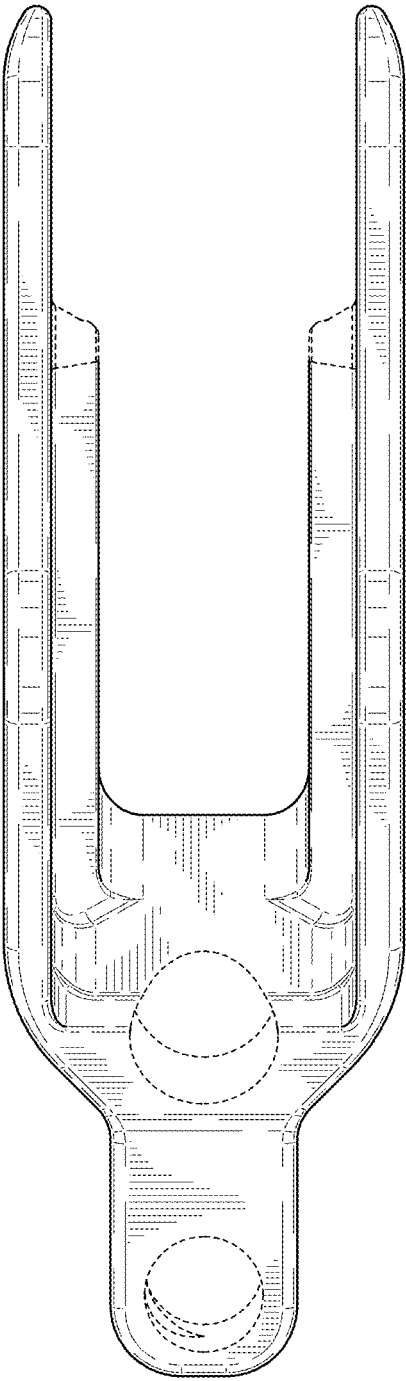


FIG. 7