



US00D775935S

(12) **United States Design Patent**
Sarajian et al.

(10) **Patent No.:** **US D775,935 S**

(45) **Date of Patent:** **** Jan. 10, 2017**

- (54) **TILE LEVELER CAP ASSEMBLY**
- (71) Applicant: **Engineered Products and Services, Inc.**, Franksville, WI (US)
- (72) Inventors: **Kissak Sarajian**, Hartland, WI (US); **Chad M. Cushman**, Racine, WI (US); **Andrew W. Oniszczuk**, Pleasant Prairie, WI (US)

7,946,093 B1 5/2011 Sturino
 7,954,300 B1 6/2011 Kufner et al.
 8,079,199 B1 * 12/2011 Kufner E04F 13/0892
 33/526

8,181,420 B2 5/2012 Torrents I Comas
 8,336,279 B2 12/2012 Kufner et al.
 8,429,878 B1 4/2013 Hoffman et al.
 8,607,530 B2 12/2013 Hoffman et al.

(Continued)

- (73) Assignee: **Engineered Products and Services, Inc.**, Franksville, WI (US)
- (**) Term: **15 Years**

(21) Appl. No.: **29/530,546**

(22) Filed: **Jun. 17, 2015**

(51) **LOC (10) Cl.** **08-08**

(52) **U.S. Cl.** **D8/354**
USPC

(58) **Field of Classification Search**
 USPC D8/354, 349; 52/747.11, 749.11, 126.7,
 52/389 M, 126.1, 127.7, 126.6, 127.3,
 52/DIG. 1; 33/533, 526, 527; 411/82, 435,
 411/427, 534; 248/188.4, 354.3; 249/192
 CPC E04F 21/0092; E04F 21/22; E04F 21/00;
 E04F 21/1877; E04F 15/02005; E04F
 15/02022; Y10S 33/20; Y10S
 52/01; E04G 21/00; G01B 5/285; F16B
 37/00; F16B 37/16; F16B 11/006; F16B
 43/002

See application file for complete search history.

(56) **References Cited**

U.S. PATENT DOCUMENTS

3,552,257 A * 1/1971 Tanabe F16B 37/16
 411/368

4,397,125 A 8/1983 Gussler

5,288,534 A 2/1994 Tavshanjian

5,359,783 A 11/1994 Smith

7,650,700 B1 * 1/2010 Blankenship E04F 21/0092
 33/527

7,861,487 B2 1/2011 Kufner et al.

OTHER PUBLICATIONS

Bruno Plast Tile-Laying System, <<http://www.brunoplast.de/gambio/index.php>> downloaded Jun. 3, 2015 (2 pages).
 Proleveling Universal Rotating Pommel Cap 50, <<http://www.flooringsupplyshop.com/tools-109/proleveling-leveling-system-609/proleveling-universal-rotating-pommel-cap-50-618.html>> downloaded Jun. 3, 2015 (3 pages).

(Continued)

Primary Examiner — Mark Goodwin
 (74) *Attorney, Agent, or Firm* — Michael Best & Friedrich LLP

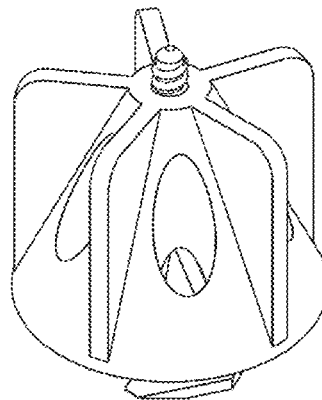
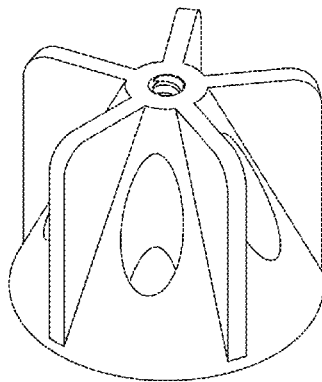
(57) **CLAIM**

We claim the ornamental design for a tile leveler cap assembly, as shown in the drawings.

DESCRIPTION

FIG. 1 is a top perspective view of the cap portion of a tile leveler cap assembly showing our new design.
 FIG. 2 is a top view thereof.
 FIG. 3 is a side view thereof.
 FIG. 4 is a bottom view thereof.
 FIG. 5 is a bottom perspective view thereof.
 FIG. 6 is a top perspective view of a tile leveler cap assembly showing our new design with the cap and base portion in assembled condition.
 FIG. 7 is a top view thereof.
 FIG. 8 is a side view thereof.
 FIG. 9 is a bottom view thereof; and,
 FIG. 10 is another side view thereof.

1 Claim, 6 Drawing Sheets



(56)

References Cited

U.S. PATENT DOCUMENTS

8,628,049	B2 *	1/2014	Ghatikar	E04F 13/0853 248/201
8,635,815	B2	1/2014	Bordin	
8,689,522	B2 *	4/2014	Hoffman	E04F 21/00 52/747.11
8,800,246	B2	8/2014	Gorton	
9,097,026	B2	8/2015	Hoffman et al.	
D742,719	S *	11/2015	Komura	D8/349
9,228,363	B2 *	1/2016	Kufner	E04F 21/0092
9,279,259	B1	3/2016	Russo	
9,322,185	B1	4/2016	Russo	
9,328,522	B2 *	5/2016	Bordin	E04F 21/20
2013/0067854	A1 *	3/2013	Bordin	E04F 15/02022 52/749.11
2014/0325936	A1 *	11/2014	Psaila	E04F 21/1877 52/749.11
2015/0211243	A1 *	7/2015	Irvine	E04F 21/0092 52/126.1

OTHER PUBLICATIONS

Tuscan SeamClip Leveling System, <<http://www.tuscanleveling.com/Products/Seamclip/seamclip.html>> downloaded Jun. 3, 2015 (3 pages).

RTC Tornado Leveling System, <<http://rtcproducts.com/us/tornado-tile-leveling-system/>> downloaded Jun. 3, 2015 (4 pages).

Raimondi RLS Tile Leveling Spacers System, <<http://www.flooringsupplyshop.com/blog/cool-tools/raimondi-rls-tile-leveling-spacers-system#>> downloaded Jun. 3, 2015 (11 pages).

* cited by examiner

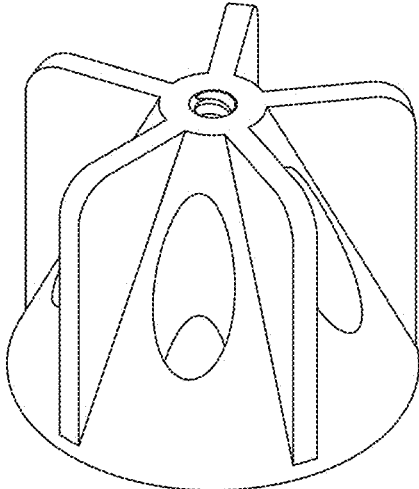


FIG. 1

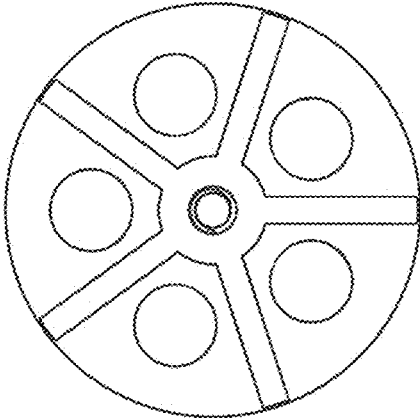


FIG. 2

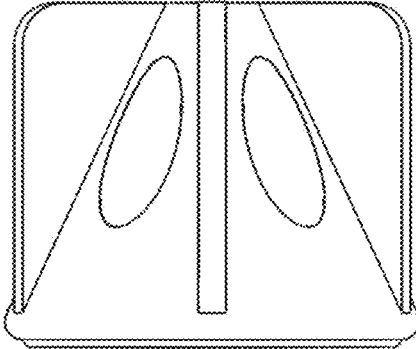


FIG. 3

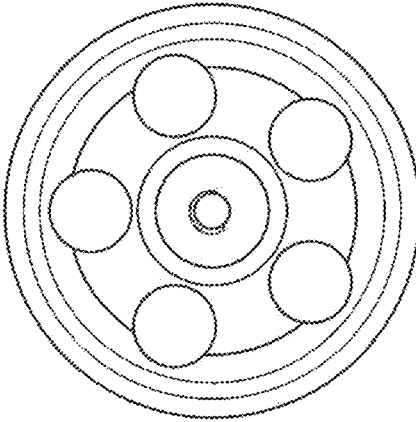


FIG. 4

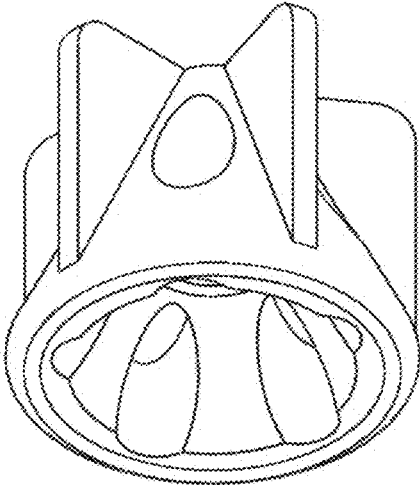


FIG. 5

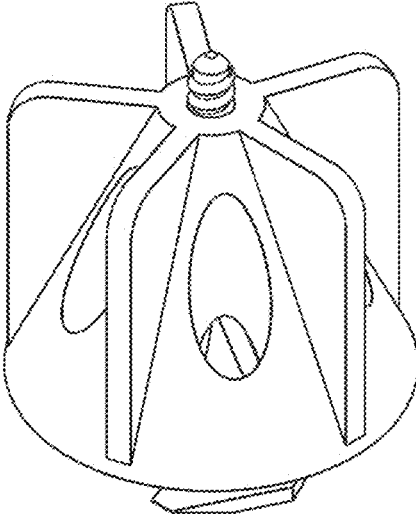


FIG. 6

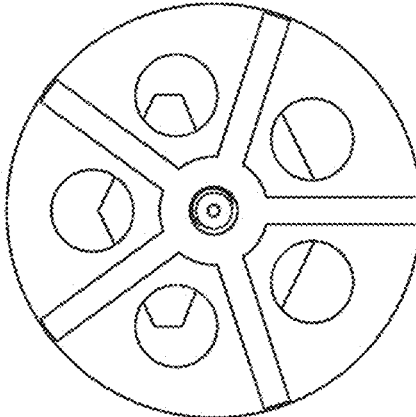


FIG. 7

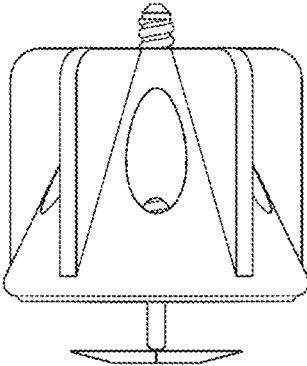


FIG. 8

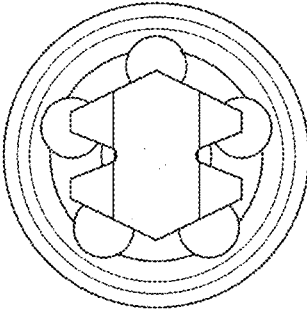


FIG. 9

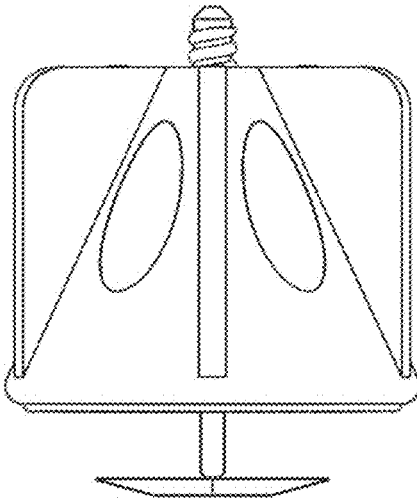


FIG. 10