

(19) World Intellectual Property Organization  
International Bureau



(43) International Publication Date  
23 February 2006 (23.02.2006)

PCT

(10) International Publication Number  
**WO 2006/020306 A3**

- (51) International Patent Classification:  
G03B 21/14 (2006.01)
- (21) International Application Number:  
PCT/US2005/025660
- (22) International Filing Date: 19 July 2005 (19.07.2005)
- (25) Filing Language: English
- (26) Publication Language: English
- (30) Priority Data:  
10/917,568 13 August 2004 (13.08.2004) US
- (71) Applicant (for all designated States except US): **INFOCUS CORPORATION** [US/US]; 27700B S.W. Parkway Avenue, Wilsonville, OR 97070 (US).
- (72) Inventor; and
- (75) Inventor/Applicant (for US only): **ENGLE, T., Scott** [US/US]; 21449 S.W. 90th Court, Tualatin, OR 97062 (US).
- (74) Agent: **McCOY, Anna, B.**; Alleman Hall McCoy Russell & Tuttle LLP, Suite 600, 806 S.W. Broadway, Portland, OR 97205 (US).

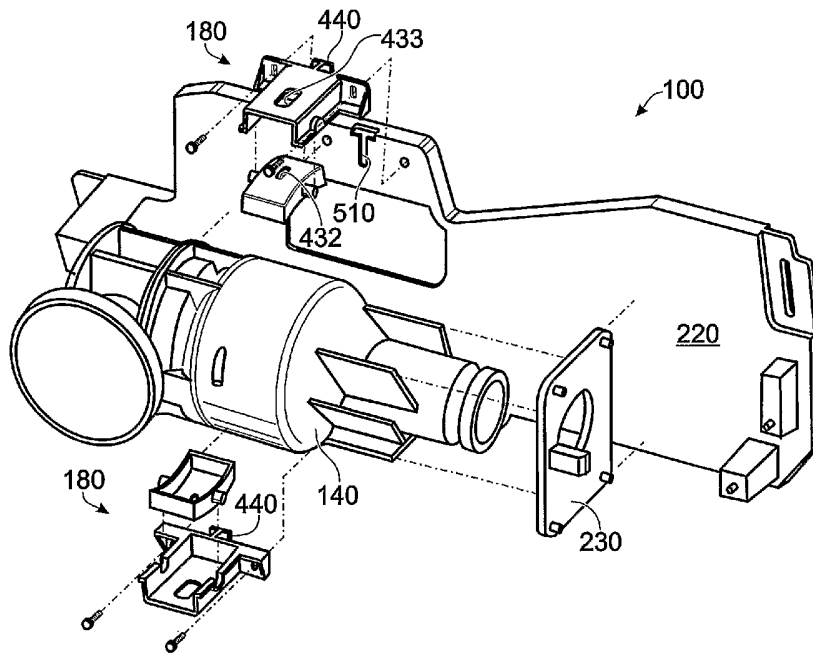
- (81) Designated States (unless otherwise indicated, for every kind of national protection available): AE, AG, AL, AM, AT, AU, AZ, BA, BB, BG, BR, BW, BY, BZ, CA, CH, CN, CO, CR, CU, CZ, DE, DK, DM, DZ, EC, EE, EG, ES, FI, GB, GD, GE, GH, GM, HR, HU, ID, IL, IN, IS, JP, KE, KG, KM, KP, KR, KZ, LC, LK, LR, LS, LT, LU, LV, MA, MD, MG, MK, MN, MW, MX, MZ, NA, NG, NI, NO, NZ, OM, PG, PH, PL, PT, RO, RU, SC, SD, SE, SG, SK, SL, SM, SY, TJ, TM, TN, TR, TT, TZ, UA, UG, US, UZ, VC, VN, YU, ZA, ZM, ZW.
- (84) Designated States (unless otherwise indicated, for every kind of regional protection available): ARIPO (BW, GH, GM, KE, LS, MW, MZ, NA, SD, SL, SZ, TZ, UG, ZM, ZW), Eurasian (AM, AZ, BY, KG, KZ, MD, RU, TJ, TM), European (AT, BE, BG, CH, CY, CZ, DE, DK, EE, ES, FI, FR, GB, GR, HU, IE, IS, IT, LT, LU, LV, MC, NL, PL, PT, RO, SE, SI, SK, TR), OAPI (BF, BJ, CF, CG, CI, CM, GA, GN, GQ, GW, ML, MR, NE, SN, TD, TG).

**Published:**

- with international search report
- before the expiration of the time limit for amending the claims and to be republished in the event of receipt of amendments

[Continued on next page]

(54) Title: STABILIZER FOR OPTICAL DEVICES



(57) Abstract: An apparatus, system and method for stabilizing components is provided. In some embodiments, an apparatus for positioning an optical component relative to a frame is provided including a stabilizer. The stabilizer may be configured to be coupled to the optical component and the frame, wherein in a first configuration the stabilizer is configured to enable select adjustment of the optical component in at least two directions and in a second configuration a position of the optical component may be fixed.

WO 2006/020306 A3



---

**(88) Date of publication of the international search report:**

19 October 2006

*For two-letter codes and other abbreviations, refer to the "Guidance Notes on Codes and Abbreviations" appearing at the beginning of each regular issue of the PCT Gazette.*

# INTERNATIONAL SEARCH REPORT

International application No.

PCT/US05/25660

**A. CLASSIFICATION OF SUBJECT MATTER**

IPC: **G03B 21/14**( 2006.01)

USPC: 353/119

According to International Patent Classification (IPC) or to both national classification and IPC

**B. FIELDS SEARCHED**

Minimum documentation searched (classification system followed by classification symbols)  
U.S. : 353/119, 10, 121; 359/813

Documentation searched other than minimum documentation to the extent that such documents are included in the fields searched  
NONE

Electronic data base consulted during the international search (name of data base and, where practicable, search terms used)  
Please See Continuation Sheet

**C. DOCUMENTS CONSIDERED TO BE RELEVANT**

| Category * | Citation of document, with indication, where appropriate, of the relevant passages | Relevant to claim No. |
|------------|--|-----------------------|
| Y          | US 2005/185152 A1 (VELDE et al) 25 August 2005 (25.08.2005), see entire document.  | 1-37                  |
| A          | US 5,659,806 A (MIYAMOTO et al) 19 August 1997 (19.08.1997), see entire document.  | 1-37                  |
| A          | US 6,811,266 B2 (LUNG et al) 02 November 2004 (02.11.2004), see entire document.   | 1-37                  |
| A          | US 2002/0044264 A1 (WATANABE) 18 July 2002 (18.07.2002), see entire document.      | 1-37                  |
| A          | US 2004/0114115 A1 (RUNCO) 17 June 2004 (17.06.2004), see entire document.         | 1-37                  |

Further documents are listed in the continuation of Box C.

See patent family annex.

| * Special categories of cited documents:  |     |  |
|---|-----|--|
| "A" document defining the general state of the art which is not considered to be of particular relevance  | "T" | later document published after the international filing date or priority date and not in conflict with the application but cited to understand the principle or theory underlying the invention  |
| "E" earlier application or patent published on or after the international filing date   | "X" | document of particular relevance; the claimed invention cannot be considered novel or cannot be considered to involve an inventive step when the document is taken alone   |
| "L" document which may throw doubts on priority claim(s) or which is cited to establish the publication date of another citation or other special reason (as specified) | "Y" | document of particular relevance; the claimed invention cannot be considered to involve an inventive step when the document is combined with one or more other such documents, such combination being obvious to a person skilled in the art |
| "O" document referring to an oral disclosure, use, exhibition or other means  |     |  |
| "P" document published prior to the international filing date but later than the priority date claimed  | "&" | document member of the same patent family  |

Date of the actual completion of the international search  
31 July 2006 (31.07.2006)

Date of mailing of the international search report  
**15 AUG 2006**

Name and mailing address of the ISA/US  
Mail Stop PCT, Attn: ISA/US  
Commissioner for Patents  
P.O. Box 1450  
Alexandria, Virginia 22313-1450  
Facsimile No. (571) 273-3201

Authorized officer  
*J. Dees*  
Jose Dees  
Telephone No. 571-272-1604

**INTERNATIONAL SEARCH REPORT**

International application No.

PCT/US05/25660

Continuation of B. FIELDS SEARCHED Item 3:  
US-PGPUB, USPAT, USOCR, EPO, JPO, DERWENT, IBM\_TDB  
Search Terms: frame and bracket and cradle and stabiliz\$5 and (optic\$2 or image)