

(19) World Intellectual Property Organization
International Bureau



(43) International Publication Date
21 December 2007 (21.12.2007)

PCT

(10) International Publication Number
WO 2007/146354 A3

- (51) International Patent Classification:
A61F 2/90 (2006.01) A61L 31/14 (2006.01)
- (21) International Application Number:
PCT/US2007/013915
- (22) International Filing Date: 13 June 2007 (13.06.2007)
- (25) Filing Language: English
- (26) Publication Language: English
- (30) Priority Data:
11/454,968 15 June 2006 (15.06.2006) US
- (71) Applicant (for all designated States except US): **ABBOTT CARDIOVASCULAR SYSTEMS INC.** [US/US]; 3200 Lakeside Drive, Santa Clara, California 95054-2807 (US).

(81) Designated States (unless otherwise indicated, for every kind of national protection available): AE, AG, AL, AM, AT, AU, AZ, BA, BB, BG, BH, BR, BW, BY, BZ, CA, CH, CN, CO, CR, CU, CZ, DE, DK, DM, DO, DZ, EC, EE, EG, ES, FI, GB, GD, GE, GH, GM, GT, HN, HR, HU, ID, IL, IN, IS, JP, KE, KG, KM, KN, KP, KR, KZ, LA, LC, LK, LR, LS, LT, LU, LY, MA, MD, ME, MG, MK, MN, MW, MX, MY, MZ, NA, NG, NI, NO, NZ, OM, PG, PH, PL, PT, RO, RS, RU, SC, SD, SE, SG, SK, SL, SM, SV, SY, TJ, TM, TN, TR, TT, TZ, UA, UG, US, UZ, VC, VN, ZA, ZM, ZW.

(84) Designated States (unless otherwise indicated, for every kind of regional protection available): ARIPO (BW, GH, GM, KE, LS, MW, MZ, NA, SD, SL, SZ, TZ, UG, ZM, ZW), Eurasian (AM, AZ, BY, KG, KZ, MD, RU, TJ, TM), European (AT, BE, BG, CH, CY, CZ, DE, DK, EE, ES, FI, FR, GB, GR, HU, IE, IS, IT, LT, LU, LV, MC, MT, NL, PL, PT, RO, SE, SI, SK, TR), OAPI (BF, BJ, CF, CG, CI, CM, GA, GN, GQ, GW, ML, MR, NE, SN, TD, TG).

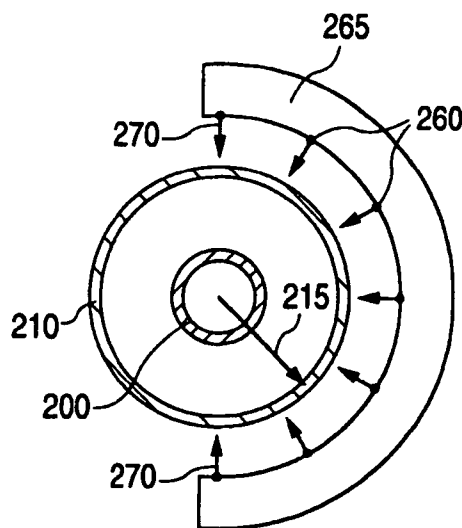
- (72) Inventors; and
- (75) Inventors/Applicants (for US only): **GALE, David C.** [GB/US]; 3276 Amherst Lane, San Jose, California 95117 (US). **HUANG, Bin** [US/US]; 1996 Paseo Del Cajon, Pleasanton, California 94566 (US). **LIMON, Timothy A.** [US/US]; 10354 Byrne Avenue, Cupertino, California 95014 (US). **GUERIGUIAN, Vincent J.** [US/US]; 1324 Willard Street, #1, San Francisco, California 94117 (US).
- (74) Agent: **LUPKOWSKI, Mark**; Squire, Sanders & Dempsey L.L.P., 1 Maritime Plaza, Suite 300, San Francisco, CA 94111-3492 (US).

Published:
— with international search report
— before the expiration of the time limit for amending the claims and to be republished in the event of receipt of amendments

(88) Date of publication of the international search report:
28 February 2008

(54) Title: METHODS OF FABRICATING STENTS WITH ENHANCED FRACTURE TOUGHNESS

(57) Abstract: Stents and methods of manufacturing a stents with enhanced fracture toughness are disclosed.



WO 2007/146354 A3

INTERNATIONAL SEARCH REPORT

International application No

PCT/US2007/013915

A. CLASSIFICATION OF SUBJECT MATTER
 INV. A61F2/90 A61L31/14

According to International Patent Classification (IPC) or to both national classification and IPC

B. FIELDS SEARCHED

Minimum documentation searched (classification system followed by classification symbols)
 A61F A61L B29C

Documentation searched other than minimum documentation to the extent that such documents are included in the fields searched

Electronic data base consulted during the international search (name of data base and, where practical, search terms used)

EPO-Internal

C. DOCUMENTS CONSIDERED TO BE RELEVANT

Category*	Citation of document, with indication, where appropriate, of the relevant passages	Relevant to claim No.
X	US 2006/076708 A1 (HUANG BIN [US] ET AL) 13 April 2006 (2006-04-13) paragraphs [0002] - [0093]; figures 1-6 -----	1-28
X	WO 2006/014747 A (ADVANCED CARDIOVASCULAR SYSTEM [US]; HUANG BIN [US]; SCHAIBLE STEPHEN) 9 February 2006 (2006-02-09) page 1, line 6 - page 20, line 23; figures 1-9 -----	11
X	WO 97/32546 A (MED INST INC [US]; COOK WILLIAM EUROP [DK]) 12 September 1997 (1997-09-12) page 6, line 1 - page 726; figures 1,2 -----	10

Further documents are listed in the continuation of Box C.

See patent family annex.

* Special categories of cited documents :

- *A* document defining the general state of the art which is not considered to be of particular relevance
- *E* earlier document but published on or after the international filing date
- *L* document which may throw doubts on priority claim(s) or which is cited to establish the publication date of another citation or other special reason (as specified)
- *O* document referring to an oral disclosure, use, exhibition or other means
- *P* document published prior to the international filing date but later than the priority date claimed

- *T* later document published after the international filing date or priority date and not in conflict with the application but cited to understand the principle or theory underlying the invention
- *X* document of particular relevance; the claimed invention cannot be considered novel or cannot be considered to involve an inventive step when the document is taken alone
- *Y* document of particular relevance; the claimed invention cannot be considered to involve an inventive step when the document is combined with one or more other such documents, such combination being obvious to a person skilled in the art.
- * & * document member of the same patent family

Date of the actual completion of the international search

14 December 2007

Date of mailing of the international search report

07/01/2008

Name and mailing address of the ISA/

European Patent Office, P.B. 5818 Patentlaan 2
 NL - 2280 HV Rijswijk
 Tel. (+31-70) 340-2040, Tx. 31 651 epo nl,
 Fax: (+31-70) 340-3016

Authorized officer

Skorovs, Peteris

INTERNATIONAL SEARCH REPORT

Information on patent family members

International application No

PCT/US2007/013915

Patent document cited in search report		Publication date	Patent family member(s)	Publication date
US 2006076708	A1	13-04-2006	WO 2007011545 A1	25-01-2007
WO 2006014747	A	09-02-2006	EP 1773566 A1	18-04-2007
			US 2006020330 A1	26-01-2006
WO 9732546	A	12-09-1997	AU 734392 B2	14-06-2001
			AU 2199197 A	22-09-1997
			CA 2247891 A1	12-09-1997
			CN 1219115 A	09-06-1999
			DE 69725120 D1	30-10-2003
			DE 69725120 T2	08-07-2004
			DK 886501 T3	24-11-2003
			EP 0886501 A1	30-12-1998
			ES 2208886 T3	16-06-2004
			JP 3815622 B2	30-08-2006
			JP 2000506753 T	06-06-2000