



- (51) International Patent Classification:
A61F 7/12 (2006.01) A61M 25/10 (2006.01)
- (21) International Application Number:
PCT/US2012/033927
- (22) International Filing Date:
17 April 2012 (17.04.2012)
- (25) Filing Language: English
- (26) Publication Language: English
- (30) Priority Data:
13/098,551 2 May 2011 (02.05.2011) US
13/098,635 2 May 2011 (02.05.2011) US
13/098,709 2 May 2011 (02.05.2011) US
- (71) Applicant (for all designated States except US):
MEDTRONIC CRYOCATH LP [CA/CA]; 199 Bay Street, Suite 5300, Toronto, Ontario M5L 1B9 (CA).
- (72) Inventors; and
- (75) Inventors/Applicants (for US only): MIHALIK, Teresa Ann [CA/CA]; 5085 Hampton Avenue, Montreal, Québec H3X 3P8 (CA). ZARBATANY, David [US/US]; 17 Springbrook Road, Laguna Niguel, CA 92677 (US). PATEL, Kaushik A. [US/US]; 12671 Footman Lane, Poway, California 92064 (US). ASCONEGUY, Alexander J. [US/US]; 37674 Silver Breeze Court, Murrieta, CA 92563 (US). LAY, Sitha [US/US]; 4540 51st Street, Apt. # 5, San Diego, California 92115 (US). ROBISON, Karmi [US/US]; 1541 Harbor Drive, Vista, California 92081 (US).

- (74) Agents: CHRISTOPHER, John et al.; CHRISTOPHER & WEISBERG, P.A., 200 East Las Olas Boulevard Suite 2040, Fort Lauderdale, Florida 33301 (US).
- (81) Designated States (unless otherwise indicated, for every kind of national protection available): AE, AG, AL, AM, AO, AT, AU, AZ, BA, BB, BG, BH, BR, BW, BY, BZ, CA, CH, CL, CN, CO, CR, CU, CZ, DE, DK, DM, DO, DZ, EC, EE, EG, ES, FI, GB, GD, GE, GH, GM, GT, HN, HR, HU, ID, IL, IN, IS, JP, KE, KG, KM, KN, KP, KR, KZ, LA, LC, LK, LR, LS, LT, LU, LY, MA, MD, ME, MG, MK, MN, MW, MX, MY, MZ, NA, NG, NI, NO, NZ, OM, PE, PG, PH, PL, PT, QA, RO, RS, RU, RW, SC, SD, SE, SG, SK, SL, SM, ST, SV, SY, TH, TJ, TM, TN, TR, TT, TZ, UA, UG, US, UZ, VC, VN, ZA, ZM, ZW.
- (84) Designated States (unless otherwise indicated, for every kind of regional protection available): ARIPO (BW, GH, GM, KE, LR, LS, MW, MZ, NA, RW, SD, SL, SZ, TZ, UG, ZM, ZW), Eurasian (AM, AZ, BY, KG, KZ, MD, RU, TJ, TM), European (AL, AT, BE, BG, CH, CY, CZ, DE, DK, EE, ES, FI, FR, GB, GR, HR, HU, IE, IS, IT, LT, LU, LV, MC, MK, MT, NL, NO, PL, PT, RO, RS, SE, SI, SK, SM, TR), OAPI (BF, BJ, CF, CG, CI, CM, GA, GN, GQ, GW, ML, MR, NE, SN, TD, TG).

Published:

- with international search report (Art. 21(3))
- before the expiration of the time limit for amending the claims and to be republished in the event of receipt of amendments (Rule 48.2(h))

(88) Date of publication of the international search report:
14 February 2013

(54) Title: COMPLIANT SLEEVES COUPLED WITH WIRE STRUCTURES FOR CRYOABLATION

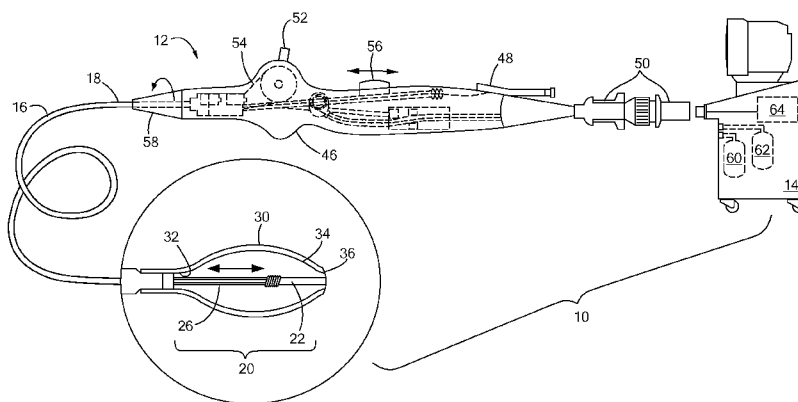


FIG. 1

(57) Abstract: A medical system, including a catheter body, a mesh coupled to the catheter body; an expandable element enclosing the mesh, the expandable element made from a compliant natural rubber emulsion, such as Yulex® HA; and a cryogenic coolant source in fluid communication with the expandable element.

WO 2012/151048 A3

INTERNATIONAL SEARCH REPORT

International application No
PCT/US2012/033927

A. CLASSIFICATION OF SUBJECT MATTER
INV. A61F7/12 A61M25/10
ADD.
According to International Patent Classification (IPC) or to both national classification and IPC

B. FIELDS SEARCHED
Minimum documentation searched (classification system followed by classification symbols)
A61F A61M
Documentation searched other than minimum documentation to the extent that such documents are included in the fields searched

Electronic data base consulted during the international search (name of data base and, where practicable, search terms used)
EPO-Internal

C. DOCUMENTS CONSIDERED TO BE RELEVANT		
Category*	Citation of document, with indication, where appropriate, of the relevant passages	Relevant to claim No.
Y	US 2002/072708 A1 (RAY PINAKI [US] ET AL) 13 June 2002 (2002-06-13) abstract; figures 1,12,22,23,29,30,33,34,40,41 paragraphs [0064], [0093], [0094], [0111] -----	1-20
Y	US 2003/060813 A1 (LOEB MARVIN P [US] ET AL) 27 March 2003 (2003-03-27) abstract paragraphs [0044], [0047] -----	1-20
A	WO 03/089997 A2 (BARD INC C R [US]; KOZEL PETER D [US]) 30 October 2003 (2003-10-30) page 17, line 20 - line 33 -----	11,12
A	US 2009/048668 A1 (WILSON JONATHAN E [US] ET AL) 19 February 2009 (2009-02-19) paragraph [0068] -----	2,17

Further documents are listed in the continuation of Box C.

See patent family annex.

* Special categories of cited documents :

- "A" document defining the general state of the art which is not considered to be of particular relevance
- "E" earlier application or patent but published on or after the international filing date
- "L" document which may throw doubts on priority claim(s) or which is cited to establish the publication date of another citation or other special reason (as specified)
- "O" document referring to an oral disclosure, use, exhibition or other means
- "P" document published prior to the international filing date but later than the priority date claimed

"T" later document published after the international filing date or priority date and not in conflict with the application but cited to understand the principle or theory underlying the invention

"X" document of particular relevance; the claimed invention cannot be considered novel or cannot be considered to involve an inventive step when the document is taken alone

"Y" document of particular relevance; the claimed invention cannot be considered to involve an inventive step when the document is combined with one or more other such documents, such combination being obvious to a person skilled in the art

"&" document member of the same patent family

Date of the actual completion of the international search

1 June 2012

Date of mailing of the international search report

20/12/2012

Name and mailing address of the ISA/

European Patent Office, P.B. 5818 Patentlaan 2
NL - 2280 HV Rijswijk
Tel. (+31-70) 340-2040,
Fax: (+31-70) 340-3016

Authorized officer

Kajzar, Anna

INTERNATIONAL SEARCH REPORT

International application No.
PCT/US2012/033927

Box No. II Observations where certain claims were found unsearchable (Continuation of item 2 of first sheet)

This international search report has not been established in respect of certain claims under Article 17(2)(a) for the following reasons:

1. Claims Nos.:
because they relate to subject matter not required to be searched by this Authority, namely:

2. Claims Nos.:
because they relate to parts of the international application that do not comply with the prescribed requirements to such an extent that no meaningful international search can be carried out, specifically:

3. Claims Nos.:
because they are dependent claims and are not drafted in accordance with the second and third sentences of Rule 6.4(a).

Box No. III Observations where unity of invention is lacking (Continuation of item 3 of first sheet)

This International Searching Authority found multiple inventions in this international application, as follows:

see additional sheet

1. As all required additional search fees were timely paid by the applicant, this international search report covers all searchable claims.
2. As all searchable claims could be searched without effort justifying an additional fees, this Authority did not invite payment of additional fees.
3. As only some of the required additional search fees were timely paid by the applicant, this international search report covers only those claims for which fees were paid, specifically claims Nos.:
4. No required additional search fees were timely paid by the applicant. Consequently, this international search report is restricted to the invention first mentioned in the claims; it is covered by claims Nos.:

1-20

Remark on Protest

- The additional search fees were accompanied by the applicant's protest and, where applicable, the payment of a protest fee.
- The additional search fees were accompanied by the applicant's protest but the applicable protest fee was not paid within the time limit specified in the invitation.
- No protest accompanied the payment of additional search fees.

FURTHER INFORMATION CONTINUED FROM PCT/ISA/ 210

This International Searching Authority found multiple (groups of) inventions in this international application, as follows:

1. claims: 1-20

a cryocatheter with a reinforced balloon made of a natural rubber, pref. guayule

2. claims: 21-41

a cryocatheter with a reinforced balloon; at least two electrically conductive elements located on the inner and outer side of the balloon, respectively;
The elements thus form a capacitor to relay electrical measurement.

INTERNATIONAL SEARCH REPORT

Information on patent family members

International application No PCT/US2012/033927

Patent document cited in search report	Publication date	Patent family member(s)	Publication date	
US 2002072708	A1	13-06-2002	AT 290814 T	15-04-2005
			AU 752773 B2	26-09-2002
			AU 2334599 A	09-08-1999
			CA 2284752 A1	29-07-1999
			DE 69924198 D1	21-04-2005
			DE 69924198 T2	26-01-2006
			EP 0983015 A2	08-03-2000
			EP 1413326 A2	28-04-2004
			ES 2241259 T3	16-10-2005
			US 6159178 A	12-12-2000
			US 6589206 B1	08-07-2003
			US 2001041858 A1	15-11-2001
			US 2001056260 A1	27-12-2001
			US 2002072708 A1	13-06-2002
			US 2002128597 A1	12-09-2002
US 2002151870 A1	17-10-2002			
WO 9937202 A2	29-07-1999			
US 2003060813	A1	27-03-2003	NONE	
WO 03089997	A2	30-10-2003	AT 369084 T	15-08-2007
			DE 60315427 T2	30-04-2008
			EP 1487366 A2	22-12-2004
			US 2005256521 A1	17-11-2005
			WO 03089997 A2	30-10-2003
US 2009048668	A1	19-02-2009	AU 2009257496 A1	17-12-2009
			CA 2729027 A1	17-12-2009
			EP 2291146 A1	09-03-2011
			US 2009048668 A1	19-02-2009
			WO 2009152297 A1	17-12-2009