



(86) **Date de dépôt PCT/PCT Filing Date:** 2013/11/05  
 (87) **Date publication PCT/PCT Publication Date:** 2014/07/24  
 (85) **Entrée phase nationale/National Entry:** 2015/04/22  
 (86) **N° demande PCT/PCT Application No.:** US 2013/068514  
 (87) **N° publication PCT/PCT Publication No.:** 2014/113126  
 (30) **Priorités/Priorities:** 2012/11/05 (US61/722,463);  
 2012/12/19 (US61/739,316)

(51) **Cl.Int./Int.Cl. E21B 43/117** (2006.01),  
**E21B 43/1185** (2006.01)  
 (71) **Demandeur/Applicant:**  
 OWEN OIL TOOLS LP, US  
 (72) **Inventeurs/Inventors:**  
 CLAY, MATTHEW C., US;  
 GEERTS, SHAUN M., US;  
 PRATT, DANIEL W., US;  
 MONTANEZ, THOMAS C., US  
 (74) **Agent:** CASSAN MACLEAN

(54) **Titre : CHARGES FACONNEES BIDIRECTIONNELLES POUR PERFORATION D'UN Puits DE FORAGE**  
 (54) **Title: BI-DIRECTIONAL SHAPED CHARGES FOR PERFORATING A WELLBORE**

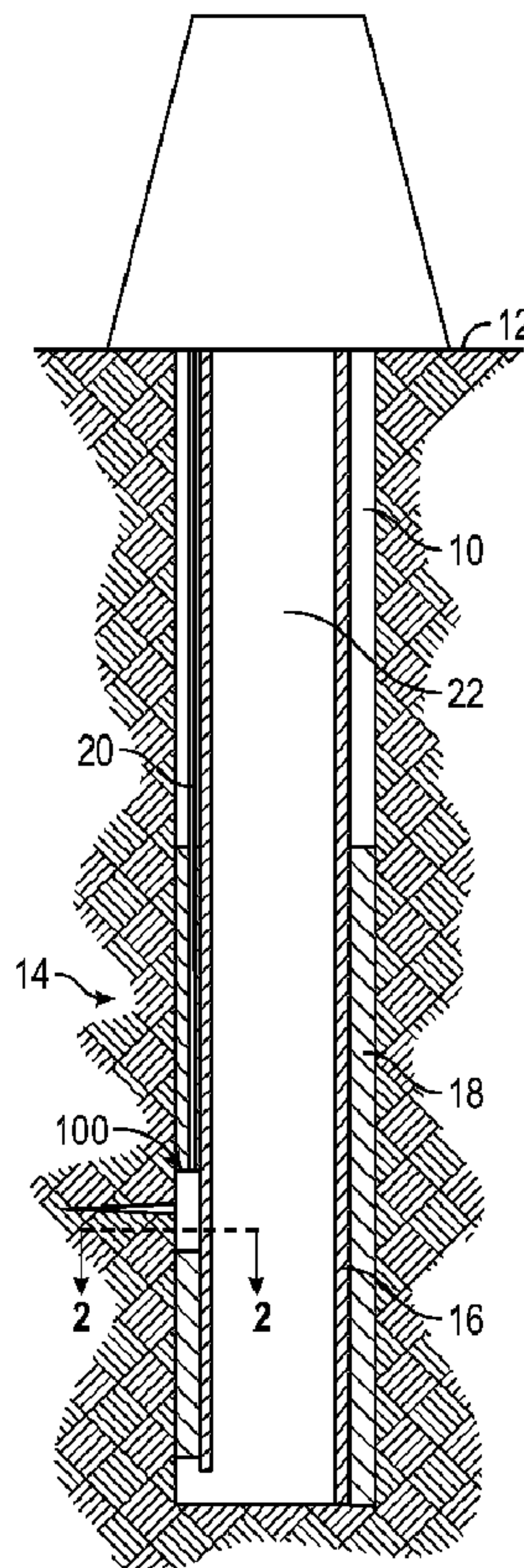


FIG. 1

(57) **Abrégé/Abstract:**

A shaped charge assembly for perforating a wellbore tubular and a subterranean formation intersected by a wellbore may include a first shaped charge and a second shaped charge disposed on an outer surface of the wellbore tubular. The first shaped charge points radially outward toward the formation, and the second shaped charge points radially inward toward the wellbore tubular.

(12) INTERNATIONAL APPLICATION PUBLISHED UNDER THE PATENT COOPERATION TREATY (PCT)

(19) World Intellectual Property  
Organization  
International Bureau(10) International Publication Number  
**WO 2014/113126 A3**(43) International Publication Date  
24 July 2014 (24.07.2014)(51) International Patent Classification:  
*E21B 43/119* (2006.01)

(21) International Application Number:

PCT/US2013/068514

(22) International Filing Date:

5 November 2013 (05.11.2013)

(25) Filing Language:

English

(26) Publication Language:

English

(30) Priority Data:

61/722,463 5 November 2012 (05.11.2012) US

61/739,316 19 December 2012 (19.12.2012) US

(71) Applicant: OWEN OIL TOOLS LP [US/US]; 6316  
Windfern, Houston, TX 77040 (US).(72) Inventors: CLAY, Matthew, M.; 332 Stormydale, Fort  
Worth, TX 76140 (US). GEERTS, Shaun, M.; Owen Oil  
Tools LP, 6316 Windfern, Houston, TX 77040 (US).  
PRATT, Daniel, W.; 10920 Hawkins Home Boulevard,  
Benbrook, TX 76126 (US). MONTANEZ, Thomas, C.;  
Owen Oil Tools LP, 6316 Windfern, Houston, TX 77040  
(US).(74) Agent: KUMAR, Chandran, D.; Mossman, Kumar &  
Tyler, PC, P.O. Box 421239, Houston, TX 77242 (US).(81) Designated States (*unless otherwise indicated, for every  
kind of national protection available*): AE, AG, AL, AM,  
AO, AT, AU, AZ, BA, BB, BG, BH, BN, BR, BW, BY,  
BZ, CA, CH, CL, CN, CO, CR, CU, CZ, DE, DK, DM,  
DO, DZ, EC, EE, EG, ES, FI, GB, GD, GE, GH, GM, GT,  
HN, HR, HU, ID, IL, IN, IR, IS, JP, KE, KG, KN, KP, KR,

[Continued on next page]

(54) Title: BI-DIRECTIONAL SHAPED CHARGES FOR PERFORATING A WELLBORE

(57) Abstract: A shaped charge assembly for perforating a wellbore tubular and a subterranean formation intersected by a wellbore may include a first shaped charge and a second shaped charge disposed on an outer surface of the wellbore tubular. The first shaped charge points radially outward toward the formation, and the second shaped charge points radially inward toward the wellbore tubular.

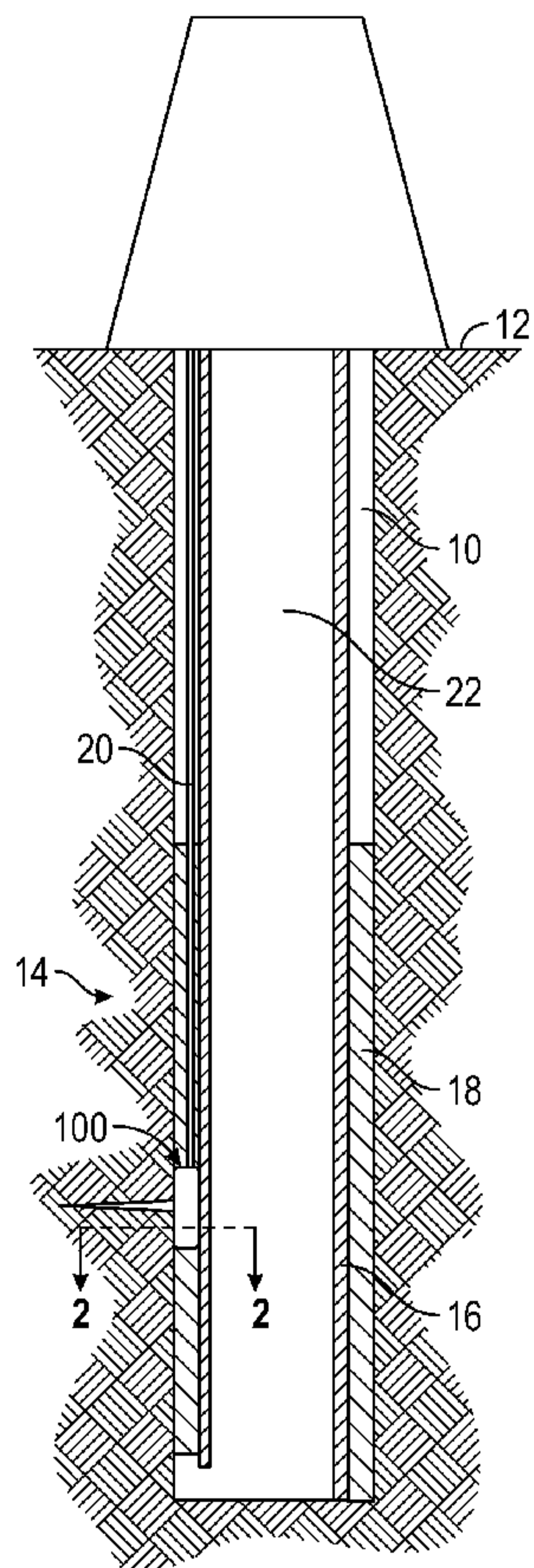


FIG. 1



WO 2014/113126 A3

**WO 2014/113126 A3**

KZ, LA, LC, LK, LR, LS, LT, LU, LY, MA, MD, ME, MG, MK, MN, MW, MX, MY, MZ, NA, NG, NI, NO, NZ, OM, PA, PE, PG, PH, PL, PT, QA, RO, RS, RU, RW, SA, SC, SD, SE, SG, SK, SL, SM, ST, SV, SY, TH, TJ, TM, TN, TR, TT, TZ, UA, UG, US, UZ, VC, VN, ZA, ZM, ZW.

**(84) Designated States** (*unless otherwise indicated, for every kind of regional protection available*): ARIPO (BW, GH, GM, KE, LR, LS, MW, MZ, NA, RW, SD, SL, SZ, TZ, UG, ZM, ZW), Eurasian (AM, AZ, BY, KG, KZ, RU, TJ, TM), European (AL, AT, BE, BG, CH, CY, CZ, DE, DK, EE, ES, FI, FR, GB, GR, HR, HU, IE, IS, IT, LT, LU, LV, MC, MK, MT, NL, NO, PL, PT, RO, RS, SE, SI, SK,

SM, TR), OAPI (BF, BJ, CF, CG, CI, CM, GA, GN, GQ, GW, KM, ML, MR, NE, SN, TD, TG).

**Published:**

- *with international search report (Art. 21(3))*
- *before the expiration of the time limit for amending the claims and to be republished in the event of receipt of amendments (Rule 48.2(h))*

**(88) Date of publication of the international search report:**

25 September 2014

- 1 -

**TITLE: BI-DIRECTIONAL SHAPED CHARGES FOR PERFORATING A WELLBORE**

### **BACKGROUND OF THE DISCLOSURE**

#### Field of the Disclosure

**[0001]** The present disclosure relates to bidirectional shaped charges for perforating a formation.

#### Description of the Related Art

**[0002]** Hydrocarbons, such as oil and gas, are produced from cased wellbores intersecting one or more hydrocarbon reservoirs in a formation. These hydrocarbons flow into the wellbore through perforations in the cased wellbore. Perforations are usually made using a perforating gun loaded with shaped charges. The gun is lowered into the wellbore on electric wireline, slickline, tubing, coiled tubing, or other conveyance device until it is adjacent the hydrocarbon producing formation. Thereafter, a surface signal actuates a firing head associated with the perforating gun, which then detonates the shaped charges. Projectiles or jets formed by the explosion of the shaped charges penetrate the casing to thereby allow formation fluids to flow through the perforations and into a production string.

**[0003]** In certain situations, the wellbore tubulars used in a well may be difficult to perforate using conventional devices. In aspects, the present disclosure provides shaped charges for such situations.

### **SUMMARY OF THE DISCLOSURE**

**[0004]** In aspects, the present disclosure provide a shaped charge assembly for perforating a wellbore tubular and a subterranean formation intersected by a wellbore. The shaped charge assembly may include a first shaped charge and a second shaped charge disposed on an outer surface of the wellbore tubular. The first shaped charge

- 2 -

points radially outward toward the formation, and the second shaped charge points radially inward toward the wellbore tubular.

**[0005]** It should be understood that examples of certain features of the disclosure have been summarized rather broadly in order that detailed description thereof that follows may be better understood, and in order that the contributions to the art may be appreciated. There are, of course, additional features of the disclosure that will be described hereinafter and which will form the subject of the claims appended hereto.

#### **BRIEF DESCRIPTION OF THE DRAWINGS**

**[0006]** For detailed understanding of the present disclosure, references should be made to the following detailed description of the exemplary embodiment, taken in conjunction with the accompanying drawings, in which like elements have been given like numerals and wherein:

**Fig. 1** illustrates one embodiment of a shaped charge assembly in accordance with the present disclosure positioned in a wellbore;

**Fig. 2** illustrates a sectional view of the **Fig. 1** embodiment;

**Fig. 3** illustrates an enlarged portion of the **Fig. 2** embodiment.

#### **DESCRIPTION OF THE DISCLOSURE**

**[0007]** The present disclosure relates to bi-directional shaped charges for perforating a wellbore. The present disclosure is susceptible to embodiments of different forms. There are shown in the drawings, and herein will be described in detail, specific embodiments of the present disclosure with the understanding that the present disclosure is to be considered an exemplification of the principles of the disclosure, and is not intended to limit the disclosure to that illustrated and described herein.

- 3 -

[0008] In accordance with the present disclosure, a bi-directional shaped charge assembly may be configured to be conveyed via casing into a subterranean well bore and positioned adjacent the exterior of the casing; *i.e.*, in the annular space between the casing and a wall of the wellbore. The shaped charge assembly includes at least two shaped charges. The shaped charge assembly includes at least one shaped charge that punctures the casing, and at least one shaped charge that perforates the adjacent formation. Because these shaped charges are oriented in opposing directions, this arrangement may be referred to as “bi-directional.”

[0009] Referring to **Fig. 1**, a subterranean well bore **10** is illustrated as extending from the surface of the earth or sea floor **12** and penetrating at least one subterranean formation **14**. A casing **16** may be installed in the well bore **10** and secured in the wellbore **10** with cement **18**. The term "casing" refers to wellbore tubular, which may be metal casing, liner, production tubing, drill string, that are used in a well bore to seal off fluids from the well bore and to stabilize the walls of the well bore. The shaped charge assembly of the present disclosure is illustrated generally as **100** in **Fig. 1**. As shown, the shaped charge assembly **100** may be secured to the exterior of the casing **16** adjacent the outer surface. Any suitable means, for example by metal bands, such as stainless steel bands, may be used to fix the shaped charge assembly **100** to the casing **16**.

[0010] As illustrated in **Fig. 1**, a control system **20**, for example an electric line, extends from a suitable power source (not illustrated) at the surface **12** to the shaped charge assembly **100** to provide an appropriate signal to ignite the shaped charge assembly **100**. Other suitable control systems for igniting the explosive charge(s) contained in shaped charge assembly **100**, such as hydraulic lines connected to a suitable source of pressurized hydraulic fluid (liquid or gas) or electromagnetic or acoustic signaling and corresponding receivers connected to the shaped charge assemblies for wave transmissions through the casing, soil and/or well bore fluids, may also be employed in the present disclosure.

[0011] Referring now to **Fig. 2**, there is sectionally shown one embodiment of a shaped charge assembly **100** configured to establish fluid communication between

- 4 -

an internal bore **22** of the wellbore tubular **16** and the formation **14** (**Fig. 1**). The shaped charge assembly **100** may include an outwardly projecting shaped charge **110** and an inwardly projecting shaped charge **120**. A sleeve-like mount **130** may include one or more bores **132** for receiving the shaped charge assembly **100**. In one arrangement, the bores **132** may be transverse cavities that aim the charges **110**, **120** radially into the formation **14** (**Fig. 1**) and casing **16**, respectively. Further details of the shaped charge assembly **100** are better illustrated in **Fig. 3**.

**[0012]** Referring now **Fig. 3**, the outwardly projecting shaped charge **110** is shaped and oriented to form a tunnel in the adjacent formation **14** (**Fig. 1**). The shaped charge **110** may include a case **112**, a liner **114**, and a quantity of an explosive material **116**. The charge is oriented radially outward to direct a jet formed by the liner **114** into the formation **14** (**Fig. 1**). In one embodiment, the case **112** has a body **115** and a post **117**. The body **115** is configured to receive the liner **114** at an open mouth and the explosive material **116** in a chamber. The post **117** is formed opposite of the open mouth and may include a channel or recess to receive at least a portion of the detonator cord **140**. The liner **114**, which encloses the explosive material **116**, has a generally conical shape. That is, the liner **114** may include a circular cup section **119a** that tapers in a linear fashion at least along a forward section to an apex **119b**. This conical shape is generally suited to form perforating jets that enable deep penetration and small entry holes. The shape of the case **112** may also be formed cooperatively with the liner **114** to form a deep tunnel in the formation **14** (**Fig. 1**). However, the shape is not limited to any particular configuration. For instance, in some embodiments, the shape may be adjusted to generate a large diameter hole or a shallow tunnel. In still other embodiments, a linear type charge may be used.

**[0013]** The inwardly projecting shaped charge **120** is shaped and oriented to form a puncture in the casing **16**. The inwardly projecting shaped charge **120** may include a case **122**, a liner **124**, and a quantity of an explosive material **126**. The shaped charge **120** is oriented radially inwardly to direct a shaped charge jet formed by the liner **124** into the casing **16**. In one arrangement, the case **124** has a body **125** and a post **127**. The body **125** is configured to receive the liner **126** at an open mouth

- 5 -

and the explosive material **126** in a cavity. The post **127** also may include a channel or recess to receive at least a portion of the detonator cord **140**. The liner **124**, which encloses the explosive material **126**, has a generally bowl shape, which may be considered an arcuate profile. By “bowl,” it is meant that the cross-sectional shape is defined by an arc or a series of arcs. In some embodiments, the shape may be characterized as elliptical, circular, or hemispheric. This bowl shape forms a liner that is depth-wise relatively shallow, which is generally suited to create perforating jets that can puncture a casing **16**. In some embodiments, the term “shallow” refers to a ratio wherein the depth of the bowl is no greater than one-half of the diameter of the bowl. The shallow configuration generally creates a jet that forms a relatively large diameter opening in one side of the casing **16** but does not have the energy to puncture the other side of the casing **16**. Also, the shape of the casing **16** may be selected to cooperate with the liner **124** to form large diameter entry holes. However, the shape is not limited to any particular configuration. For instance, in some embodiments, the shape may be adjusted to generate a small diameter hole or relatively long tunnel. In still other embodiments, a linear type charge may be used.

**[0014]** In one embodiment, the bidirectional nature of the shaped charge assembly **100** may be achieved by radially aligning the shaped charges **110**, **120**. That is, the cases **112**, **122** of the shaped charges **110**, **120** may be aligned in opposing directions on the same radius. The term “opposing” means that the mouths of the cases **112**, **122** are arranged such the jets formed by the liners **114**, **126** are propelled in opposing directions. In such an arrangement, the detonator cord **140** may be used to detonate the shaped charges **110**, **120** at the same time. For example, as shown, the cases **112**, **122** are positioned in opposing relationship to one another such that the posts **117**, **127** abut to form the channel for the detonator cord **140**. The cases **112** and **122** may be connected to one another using any suitable method or mechanism (e.g., mechanically, chemically, treatment such as welding, etc.). In one embodiment, connector elements **142** may be used; e.g., fasteners, posts, etc.. In one arrangement, the cases **112**, **122** have a geometry that is symmetric along an axis defined by a radial line extending from a center of the bore **22** (**Fig. 2**). The perforating jets formed by the shaped charges **110**, **120** travel in opposite directions directly along this axis. The

- 6 -

cases **112,122** may be made of materials such as steel and zinc. Other suitable materials include particle or fiber reinforced composite materials.

[0015] The explosive material **116, 126** may comprise *RDX* (Hexogen, Cyclotrimethylenetrinitramine), HMX (Octogen, Cyclotetramethylenetetranitramine), HNS, PYX or other suitable high explosives known in the industry for use in downhole shaped charges.

[0016] Referring still to **Fig. 3**, a detonator cord **140** may be used to detonate the shaped charges **110, 120**. In one arrangement, the detonator cord **140** may be compressed between the posts **117, 127** of the shaped charges **110, 120** such that energy released by the detonator cord **140** is transferred to and detonates the explosive materials **116, 126**. The term “energetic connection” as used herein refers to a connection that transfers the requisite energy to cause a high-order detonation of the explosive materials **116, 126**. In some embodiments, a small amount of booster (not shown) may be placed between the detonator cord **140** and the explosive materials **116, 126**. The booster may be formed of an explosive material that, when detonated, releases sufficient energy to cause a high-order detonation of the explosive materials, **116, 126**. Referring to **Fig. 1**, the control system **20** may be used to detonate the detonator cord **140** using known devices such as firing heads, igniters, and fuses.

[0017] Referring now to **Figs. 1 - 3**, during deployment, the charge assembly **100** is conveyed into the wellbore **10** using the casing **16**. After being positioned at a desired depth, the casing **16** may be cemented into place. Personnel may use the control system **20** to send a firing signal. In response to the firing signal, the detonator **140** is detonated. Thereafter, the detonator **140** detonates the shaped charges **110, 120**. The detonations may be simultaneous or nearly simultaneous. The detonated radially outwardly pointing shaped charge **110** forms a perforating jet that penetrates the cement **18** and forms a tunnel in the formation **14**. The detonated inwardly pointing shaped charge **120** forms a perforating jet that punctures the casing **16**.

- 7 -

**[0018]** From the above, it should be appreciated that what has been described includes a shaped charge assembly for perforating a wellbore tubular and a subterranean formation intersected by a wellbore. In one non-limiting embodiment, the shaped charge assembly may include a first shaped charge, a second shaped charge, and a detonator cord.

**[0019]** The first shaped charge may have a conically shaped liner disposed on a casing and an explosive material in a chamber formed in the casing. The casing may have a post formed opposite to the conically shaped liner. The first shaped charge may be disposed on an outer surface of the wellbore tubular and point radially outward toward the formation. The second shaped charge may have a bowl shaped liner disposed on a casing and an explosive material in a chamber formed in the casing. The casing may also have a post formed opposite to the bowl shaped liner. The second shaped charge may be disposed on the outer surface of the wellbore tubular and point radially inward toward the wellbore tubular. The post of the first shaped charge may be connected with the post of the second shaped charge. The detonator cord may be compressed between the posts of the first and the second shaped charges. The detonator cord may be energetically connected to the explosive charges of the first and the second shaped charges. The detonation of the explosive charges may form perforating jets that travel in substantially opposite directions.

**[0020]** The foregoing description is directed to particular embodiments of the present disclosure for the purpose of illustration and explanation. It will be apparent, however, to one skilled in the art that many modifications and changes to the embodiment set forth above are possible without departing from the scope of the disclosure. It is intended that the following claims be interpreted to embrace all such modifications and changes.

- 8 -

**THE CLAIMS**

1. A shaped charge assembly for perforating a wellbore tubular and a subterranean formation intersected by a wellbore, comprising:

a first shaped charge having a casing, a conically shaped liner disposed on the casing, and an explosive material in a chamber formed in the casing, the casing having a post formed opposite to the conically shaped liner, the first shaped charge being disposed on an outer surface of the wellbore tubular and pointing radially outward toward the formation;

a second shaped charge having a casing, a bowl shaped liner disposed on the casing, and an explosive material in a chamber formed in the casing, the casing having a post formed opposite to the bowl shaped liner, the second shaped charge being disposed on the outer surface of the wellbore tubular and pointing radially inward toward the wellbore tubular, the post of the first shaped charge being connected with the post of the second shaped charge; and

a detonator cord compressed between the posts of the first and the second shaped charges, the detonator cord being energetically connected to the explosive charges of the first and the second shaped charges, and wherein detonation of the explosive charges forms perforating jets that travel in substantially opposite directions.

2. A shaped charge assembly for perforating a wellbore tubular and a subterranean formation intersected by a wellbore, comprising:

a first shaped charge disposed on an outer surface of the wellbore tubular, the first shaped charge pointing radially outward toward the formation; and

a second shaped charge disposed on the outer surface of the wellbore tubular, the second shaped charge pointing radially inward toward the wellbore tubular.

- 9 -

3. The apparatus according to claim 2, wherein the first shaped charge includes a conical shaped liner and the second shaped charge includes an arcuate shaped liner.

4. The apparatus of claim 2, wherein the bowl shaped liner has a shape representative of: (i) a circle, and (ii) an ellipse.

5. The apparatus according to claim 2, wherein the first shaped charge and the second shaped charge each include a case, and wherein the cases are fixed to one another in an opposing relationship.

6. The apparatus according to claim 2, wherein each case has a post, and wherein a channel for receiving a detonator cord is formed by the posts when the cases are in the opposing relationship.

1/2

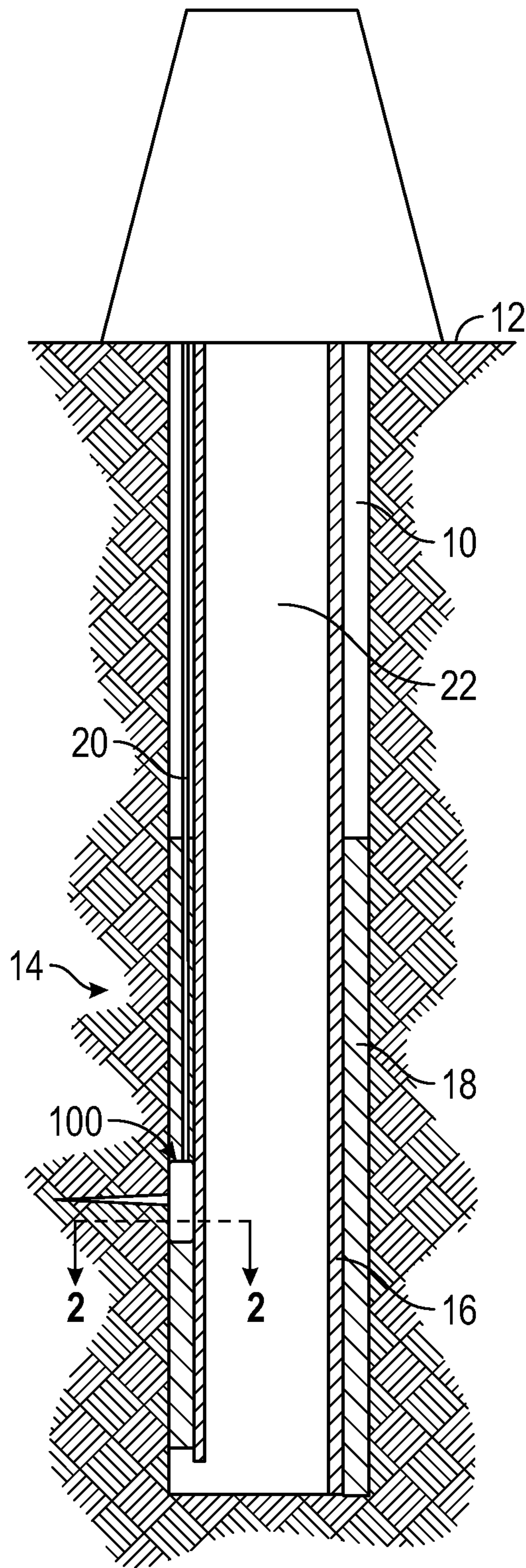


FIG. 1



