

(19) World Intellectual Property Organization  
International Bureau



(43) International Publication Date  
23 July 2009 (23.07.2009)

PCT

(10) International Publication Number  
WO 2009/090470 A3

(51) International Patent Classification:  
H01R 13/52 (2006.01)

(21) International Application Number:  
PCT/IB2008/003462

(22) International Filing Date:  
12 December 2008 (12.12.2008)

(25) Filing Language: English

(26) Publication Language: English

(30) Priority Data:  
12/013,621 14 January 2008 (14.01.2008) US

(71) Applicant (for all designated States except US): LINCOLN GLOBAL, INC. [US/US]; 17721 Railroad St., City of Industry, CA 91748 (US).

(72) Inventors; and

(75) Inventors/Applicants (for US only): STOCKTON, Darren J. [US/US]; c/o Lincoln Global, Inc., 17721 Railroad St., City of Industry, CA 91748 (US). LESIACSEK, Rich [US/US]; c/o Lincoln Global, Inc., 17721 Railroad St., City of Industry, CA 91748 (US).

(81) Designated States (unless otherwise indicated, for every kind of national protection available): AE, AG, AL, AM, AO, AT, AU, AZ, BA, BB, BG, BH, BR, BW, BY, BZ,

CA, CH, CN, CO, CR, CU, CZ, DE, DK, DM, DO, DZ, EC, EE, EG, ES, FI, GB, GD, GE, GH, GM, GT, HN, HR, HU, ID, IL, IN, IS, JP, KE, KG, KM, KN, KP, KR, KZ, LA, LC, LK, LR, LS, LT, LU, LY, MA, MD, ME, MG, MK, MN, MW, MX, MY, MZ, NA, NG, NI, NO, NZ, OM, PG, PH, PL, PT, RO, RS, RU, SC, SD, SE, SG, SK, SL, SM, ST, SV, SY, TJ, TM, TN, TR, TT, TZ, UA, UG, US, UZ, VC, VN, ZA, ZM, ZW.

(84) Designated States (unless otherwise indicated, for every kind of regional protection available): ARIPO (BW, GH, GM, KE, LS, MW, MZ, NA, SD, SL, SZ, TZ, UG, ZM, ZW), Eurasian (AM, AZ, BY, KG, KZ, MD, RU, TJ, TM), European (AT, BE, BG, CH, CY, CZ, DE, DK, EE, ES, FI, FR, GB, GR, HR, HU, IE, IS, IT, LT, LU, LV, MC, MT, NL, NO, PL, PT, RO, SE, SI, SK, TR), OAPI (BF, BJ, CF, CG, CI, CM, GA, GN, GQ, GW, ML, MR, NE, SN, TD, TG).

Published:

- with international search report (Art. 21(3))
- before the expiration of the time limit for amending the claims and to be republished in the event of receipt of amendments (Rule 48.2(h))

(88) Date of publication of the international search report:  
24 September 2009

(54) Title: SEALED CONNECTOR

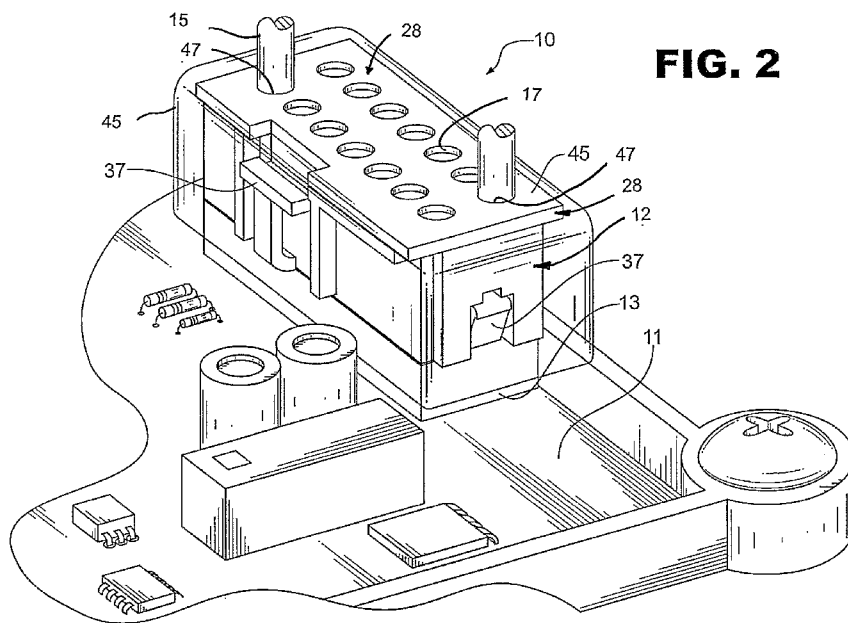


FIG. 2

(57) Abstract: A connector housing (12) includes one or more cavities (17) for receiving corresponding conductors (15) used to electrically communicate one or more circuits. The connector housing (12) includes a seal (45) on a first surface (28) that prevents the passage of contaminants or other substances from the region between the cavities (17) and the conductors (15). The seal (45) may include recesses (47) positioned to align with the one or more cavities (17) of the connector housing (12). The conductors (15) may be connected to the connector housing (12) by pushing the conductors (15) through the seal (45) where after the seal automatically closes around the protruding conductors (15).



WO 2009/090470 A3

**INTERNATIONAL SEARCH REPORT**

International application No  
PCT/IB2008/003462

**A. CLASSIFICATION OF SUBJECT MATTER**  
INV. H01R13/52

According to International Patent Classification (IPC) or to both national classification and IPC

**B. FIELDS SEARCHED**

Minimum documentation searched (classification system followed by classification symbols)  
H01R

Documentation searched other than minimum documentation to the extent that such documents are included in the fields searched

Electronic data base consulted during the international search (name of data base and, where practical, search terms used)

EPO-Internal, WPI Data

**C. DOCUMENTS CONSIDERED TO BE RELEVANT**

Category*	Citation of document, with indication, where appropriate, of the relevant passages	Relevant to claim No.
X	US 5 895 290 A (SELF JR DAINES MILFRED [US]) 20 April 1999 (1999-04-20) column 2, line 11 - column 3, line 15 figures 1-4	1-15
X	WO 87/05157 A (THOMAS & BETTS CORP [US]) 27 August 1987 (1987-08-27) the whole document	1-8, 10-15
X	US 5 145 410 A (MAEJIMA TOSHIRO [JP] ET AL) 8 September 1992 (1992-09-08) the whole document	1-8, 10-15
X	US 5 630 731 A (SAWADA YOSHITSUGU [JP]) 20 May 1997 (1997-05-20) the whole document	1-8, 10-15
	-/--	

Further documents are listed in the continuation of Box C.

See patent family annex.

\* Special categories of cited documents :

- \*A\* document defining the general state of the art which is not considered to be of particular relevance
- \*E\* earlier document but published on or after the international filing date
- \*L\* document which may throw doubts on priority claim(s) or which is cited to establish the publication date of another citation or other special reason (as specified)
- \*O\* document referring to an oral disclosure, use, exhibition or other means
- \*P\* document published prior to the international filing date but later than the priority date claimed

- \*T\* later document published after the international filing date or priority date and not in conflict with the application but cited to understand the principle or theory underlying the invention
- \*X\* document of particular relevance; the claimed invention cannot be considered novel or cannot be considered to involve an inventive step when the document is taken alone
- \*Y\* document of particular relevance; the claimed invention cannot be considered to involve an inventive step when the document is combined with one or more other such documents, such combination being obvious to a person skilled in the art.
- \*&\* document member of the same patent family

Date of the actual completion of the international search

Date of mailing of the international search report

7 August 2009

17/08/2009

Name and mailing address of the ISA/  
European Patent Office, P.B. 5818 Patentlaan 2  
NL - 2280 HV Rijswijk  
Tel. (+31-70) 340-2040,  
Fax: (+31-70) 340-3016

Authorized officer

Ledoux, Serge

## INTERNATIONAL SEARCH REPORT

International application No

PCT/IB2008/003462

C(Continuation). DOCUMENTS CONSIDERED TO BE RELEVANT		
Category*	Citation of document, with indication, where appropriate, of the relevant passages	Relevant to claim No.
X	US 5 618 206 A (SAWADA YOSHITSUGU [JP] ET AL) 8 April 1997 (1997-04-08) the whole document -----	1-8, 10-15
X	US 2004/029442 A1 (OKA HIROYUKI [JP]) 12 February 2004 (2004-02-12) the whole document -----	1-8, 10-15
X	US 2004/092163 A1 (NAGAYASU DAIKI [JP] ET AL) 13 May 2004 (2004-05-13) the whole document -----	1-8, 10-15
X	US 2006/040553 A1 (YAMASHITA KAZUNORI [JP]) 23 February 2006 (2006-02-23) the whole document -----	1-8, 10-15
X	US 2002/006747 A1 (YUASA KATSUHIKO [JP] ET AL) 17 January 2002 (2002-01-17) the whole document -----	1-8, 10-15
X	US 2007/281530 A1 (SAKAMOTO NOBUYUKI [JP] ET AL) 6 December 2007 (2007-12-06) the whole document -----	1-8, 10-15
X	US 2006/189191 A1 (DRESCHER THOMAS [DE] ET AL) 24 August 2006 (2006-08-24) the whole document -----	1-8, 10-15
X	FR 2 866 485 A (FRAMATOME CONNECTORS INT [FR]) 19 August 2005 (2005-08-19) the whole document -----	1-8, 10-15
X	US 2005/118850 A1 (ITO OSAMU [JP]) 2 June 2005 (2005-06-02) the whole document -----	1-8, 10-15
X	US 5 720 629 A (SELF JR DAINES MILFRED [US] ET AL) 24 February 1998 (1998-02-24) the whole document -----	1-8, 10-15

## INTERNATIONAL SEARCH REPORT

Information on patent family members

International application No

PCT/IB2008/003462

Patent document cited in search report		Publication date	Patent family member(s)	Publication date
US 5895290	A	20-04-1999	NONE	
WO 8705157	A	27-08-1987	EP 0258414 A1	09-03-1988
US 5145410	A	08-09-1992	NONE	
US 5630731	A	20-05-1997	JP 2563037 Y2 JP 7007077 U	18-02-1998 31-01-1995
US 5618206	A	08-04-1997	JP 8180928 A	12-07-1996
US 2004029442	A1	12-02-2004	FR 2842033 A1 JP 2004039584 A	09-01-2004 05-02-2004
US 2004092163	A1	13-05-2004	NONE	
US 2006040553	A1	23-02-2006	DE 102005036997 A1 JP 2006059595 A	23-02-2006 02-03-2006
US 2002006747	A1	17-01-2002	CN 1334620 A DE 60109529 D1 DE 60109529 T2 EP 1172896 A2 HK 1042989 A1 JP 3380528 B2 JP 2002033155 A KR 20020006594 A TW 493296 B	06-02-2002 28-04-2005 28-07-2005 16-01-2002 09-09-2005 24-02-2003 31-01-2002 23-01-2002 01-07-2002
US 2007281530	A1	06-12-2007	DE 102007021536 A1 JP 2007324082 A	06-12-2007 13-12-2007
US 2006189191	A1	24-08-2006	AT 390737 T DE 10300264 A1 EP 1556924 A1 WO 2004064202 A1	15-04-2008 19-08-2004 27-07-2005 29-07-2004
FR 2866485	A	19-08-2005	AT 381125 T CN 1918751 A DE 602005003792 T2 EP 1714356 A1 WO 2005088773 A1 ES 2297669 T3 JP 2007522626 T KR 20070015147 A US 2008280497 A1	15-12-2007 21-02-2007 24-12-2008 25-10-2006 22-09-2005 01-05-2008 09-08-2007 01-02-2007 13-11-2008
US 2005118850	A1	02-06-2005	DE 602004011002 T2 EP 1536527 A1 JP 4214898 B2 JP 2005158595 A	02-01-2009 01-06-2005 28-01-2009 16-06-2005
US 5720629	A	24-02-1998	AU 4900497 A DE 69710352 D1 DE 69710352 T2 EP 0932918 A1 JP 3992245 B2 JP 2001506047 T	11-05-1998 21-03-2002 17-10-2002 04-08-1999 17-10-2007 08-05-2001

# INTERNATIONAL SEARCH REPORT

Information on patent family members

International application No

PCT/IB2008/003462

Patent document cited in search report	Publication date	Patent family member(s)	Publication date
US 5720629	A	KR 20000049179 A WO 9816975 A1	25-07-2000 23-04-1998
-----			