

(19) World Intellectual Property Organization  
International Bureau



(43) International Publication Date  
20 September 2001 (20.09.2001)

PCT

(10) International Publication Number  
**WO 01/69565 A3**

(51) International Patent Classification<sup>7</sup>: **G08B 25/08**,  
25/14, H04M 11/04

[US/US]; 35 Melrose Avenue, Dix Hills, NY 11746 (US).  
**SIMON, Scott, H.** [US/US]; 233 Cuba Hill Road, Hunt-  
ington, NY 11743 (US).

(21) International Application Number: PCT/US01/40283

(74) Agents: **JACKSON, Robert, R.** et al.: Fish & Neave, 1251  
Avenue of the Americas, New York, NY 10020 (US).

(22) International Filing Date: 13 March 2001 (13.03.2001)

(25) Filing Language: English

(81) Designated States (national): AE, AG, AL, AM, AT, AU,  
AZ, BA, BB, BG, BR, BY, BZ, CA, CH, CN, CO, CR, CU,  
CZ, DE, DK, DM, DZ, EE, ES, FI, GB, GD, GE, GH, GM,  
HR, HU, ID, IL, IN, IS, JP, KE, KG, KP, KR, KZ, LC, LK,  
LR, LS, LT, LU, LV, MA, MD, MG, MK, MN, MW, MX,  
MZ, NO, NZ, PL, PT, RO, RU, SD, SE, SG, SI, SK, SL,  
TJ, TM, TR, TT, TZ, UA, UG, US, UZ, VN, YU, ZA, ZW.

(26) Publication Language: English

(30) Priority Data:  
60/188,798 13 March 2000 (13.03.2000) US

(71) Applicant (for all designated States except US):  
**PITTMAN CORPORATION** [US/US]; 165 Eileen  
Way, Syosset, NY 11791 (US).

(84) Designated States (regional): ARIPO patent (GH, GM,  
KE, LS, MW, MZ, SD, SL, SZ, TZ, UG, ZW), Eurasian  
patent (AM, AZ, BY, KG, KZ, MD, RU, TJ, TM), European  
patent (AT, BE, CH, CY, DE, DK, ES, FI, FR, GB, GR, IE,  
IT, LU, MC, NL, PT, SE, TR), OAPI patent (BF, BJ, CF,  
CG, CI, CM, GA, GN, GW, ML, MR, NE, SN, TD, TG).

(71) Applicant and

(72) Inventor: **AXELSEN, Peter** [US/US]; 10 Mayflower  
Court, Centerport, NY 11721 (US).

(72) Inventors; and

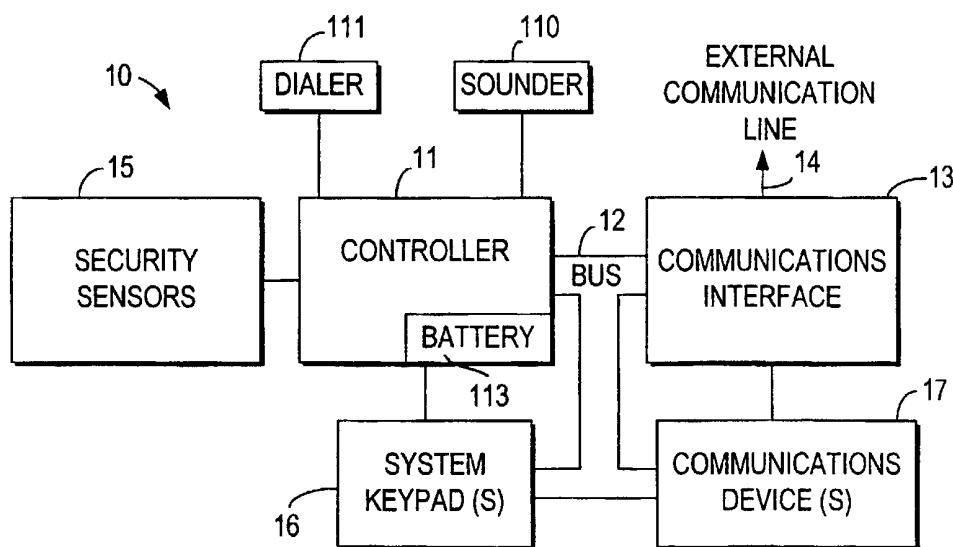
Published:

(75) Inventors/Applicants (for US only): **SIMON, Theodore**

— with international search report

[Continued on next page]

(54) Title: INTEGRATED SECURITY AND COMMUNICATIONS SYSTEM WITH SECURE COMMUNICATIONS LINK



(57) Abstract: An integrated security and communications system combines a security system to either or both of a telephone system interface and a data interface. Users have access to voice-mail or other PBX-type telephone functions, many or all of which can be accessed not only at telephone sets, but also at keypads of the security system. Data functions such as electronic mail and possible partial or full World Wide Web access may also be provided at the keypads, as well as at connected personal computers or computer terminals. The system keypads may be enhanced to better accommodate some of the added functions. A central communications station could be used to maintain secure, shared private key encrypted communications with each premises system, using a redirector arrangement or relay to allow each premises system to communicate securely with a central monitoring station and with other systems. The secure communications system could be used without a security system to allow secure computer-to-computer communications.



WO 01/69565 A3



**(88) Date of publication of the international search report:**  
30 May 2002

*For two-letter codes and other abbreviations, refer to the "Guidance Notes on Codes and Abbreviations" appearing at the beginning of each regular issue of the PCT Gazette.*

INTERNATIONAL SEARCH REPORT

International Application No

PCT/US 01/40283

A. CLASSIFICATION OF SUBJECT MATTER  
 IPC 7 G08B25/08 G08B25/14 H04M11/04

According to International Patent Classification (IPC) or to both national classification and IPC

B. FIELDS SEARCHED

Minimum documentation searched (classification system followed by classification symbols)

IPC 7 G08B H04M G07C

Documentation searched other than minimum documentation to the extent that such documents are included in the fields searched

Electronic data base consulted during the international search (name of data base and, where practical, search terms used)

PAJ, WPI Data, EPO-Internal

C. DOCUMENTS CONSIDERED TO BE RELEVANT

Category °	Citation of document, with indication, where appropriate, of the relevant passages	Relevant to claim No.
Y	US 5 940 474 A (RUUS JAN) 17 August 1999 (1999-08-17)  column 2, line 15 - line 25 figures 1-3  --- -/--	1-3, 13, 18-21, 25-27, 37, 42-45, 49-52, 61,66-70

Further documents are listed in the continuation of box C.

Patent family members are listed in annex.

° Special categories of cited documents :

- \*A\* document defining the general state of the art which is not considered to be of particular relevance
- \*E\* earlier document but published on or after the international filing date
- \*L\* document which may throw doubts on priority claim(s) or which is cited to establish the publication date of another citation or other special reason (as specified)
- \*O\* document referring to an oral disclosure, use, exhibition or other means
- \*P\* document published prior to the international filing date but later than the priority date claimed

- \*T\* later document published after the international filing date or priority date and not in conflict with the application but cited to understand the principle or theory underlying the invention
- \*X\* document of particular relevance; the claimed invention cannot be considered novel or cannot be considered to involve an inventive step when the document is taken alone
- \*Y\* document of particular relevance; the claimed invention cannot be considered to involve an inventive step when the document is combined with one or more other such documents, such combination being obvious to a person skilled in the art.
- \* & \* document member of the same patent family

Date of the actual completion of the international search

9 November 2001

Date of mailing of the international search report

19/11/2001

Name and mailing address of the ISA

European Patent Office, P.B. 5818 Patentlaan 2  
 NL - 2280 HV Rijswijk  
 Tel. (+31-70) 340-2040, Tx. 31 651 epo nl,  
 Fax: (+31-70) 340-3016

Authorized officer

De la Cruz Valera, D

INTERNATIONAL SEARCH REPORT

International Application No

PCT/US 01/40283

C.(Continuation) DOCUMENTS CONSIDERED TO BE RELEVANT		
Category °	Citation of document, with indication, where appropriate, of the relevant passages	Relevant to claim No.
Y	<p>US 5 195 126 A (CARRIER BRIAN ET AL) 16 March 1993 (1993-03-16)</p> <p>column 3, line 13 - line 22 figures 1-3,13</p> <p>---</p>	<p>1-3,13, 18-21, 25-27, 37, 42-45, 49-52, 61,66-70</p>
X	<p>US 5 604 791 A (LEE SHONH S) 18 February 1997 (1997-02-18)</p> <p>column 7, line 1 - line 4 column 8, line 34 - line 44 column 12, line 23 - line 39</p> <p>---</p>	<p>1-3, 9-13,18, 22, 24-28, 33-35, 42,46, 48-52, 58,61,66</p>
X	<p>GB 2 325 548 A (NABAVI RICHARD PARVIZ) 25 November 1998 (1998-11-25)</p>	<p>1,25,49</p>
A	<p>page 4, line 24 -page 5, line 5</p> <p>page 8, line 13 - line 22 claims 3-5 figures 1,2</p> <p>-----</p>	<p>2,3,27, 50,51</p>

# INTERNATIONAL SEARCH REPORT

Information on patent family members

International Application No

PCT/US 01/40283

Patent document cited in search report	Publication date	Patent family member(s)	Publication date
US 5940474	A	17-08-1999	AU 687044 B2 19-02-1998
			AU 6390294 A 11-10-1994
			CA 2158738 A1 29-09-1994
			EP 0691062 A1 10-01-1996
			FI 954479 A 20-11-1995
			NO 953721 A 30-10-1995
			SE 9303781 A 24-09-1994
			WO 9422262 A1 29-09-1994
US 5195126	A	16-03-1993	CA 2080982 A1 21-04-1994
US 5604791	A	18-02-1997	NONE
GB 2325548	A	25-11-1998	NONE