



US00D781467S

(12) **United States Design Patent**  
**Shum et al.**

(10) **Patent No.:** **US D781,467 S**

(45) **Date of Patent:** **\*\* Mar. 14, 2017**

(54) **SPOT LAMP**

(56) **References Cited**

(71) Applicant: **SORAA, INC.**, Fremont, CA (US)

U.S. PATENT DOCUMENTS

(72) Inventors: **Frank Shum**, Sunnyvale, CA (US);  
**Ronald Van Thiel**, Menlo Park, CA  
(US); **James Juma**, Fremont, CA (US)

D592,766 S *	5/2009	Zhu .....	D26/2
D607,587 S *	1/2010	Ko .....	D26/2
D610,275 S *	2/2010	Cho .....	D26/2
D613,433 S *	4/2010	Moon .....	D26/2
D687,985 S *	8/2013	Tu .....	D26/2

(73) Assignee: **Soraa, Inc.**, Fremont, CA (US)

\* cited by examiner

(\*\*) Term: **15 Years**

*Primary Examiner* — Marcus Jackson

(21) Appl. No.: **29/546,119**

(74) *Attorney, Agent, or Firm* — Saul Ewing LLP

(22) Filed: **Nov. 19, 2015**

(57) **CLAIM**

The ornamental design for spot lamp, as shown and described.

**Related U.S. Application Data**

**DESCRIPTION**

(62) Division of application No. 29/489,662, filed on May 1, 2014, now Pat. No. Des. 747,010.

(51) **LOC (10) Cl.** ..... **26-06**

(52) **U.S. Cl.** ..... **D26/2**

USPC ..... **D26/2**

(58) **Field of Classification Search**

USPC ..... D26/1-4; 313/313, 315, 316, 317, 318,

313/493; 315/52, 53, 56, 57, 58

CPC ..... F21K 9/13; F21K 9/135; F21K 9/1375;

H01J 5/00; H01J 5/48; H01J 5/50; H01J

19/54

See application file for complete search history.

FIG. 1 is a perspective view of a spot lamp showing a first embodiment of our new design;

FIG. 2 is a side elevational view from a front side thereof;

FIG. 3 is a side elevational view from a rear side thereof;

FIG. 4 is a side elevational view from a left side thereof;

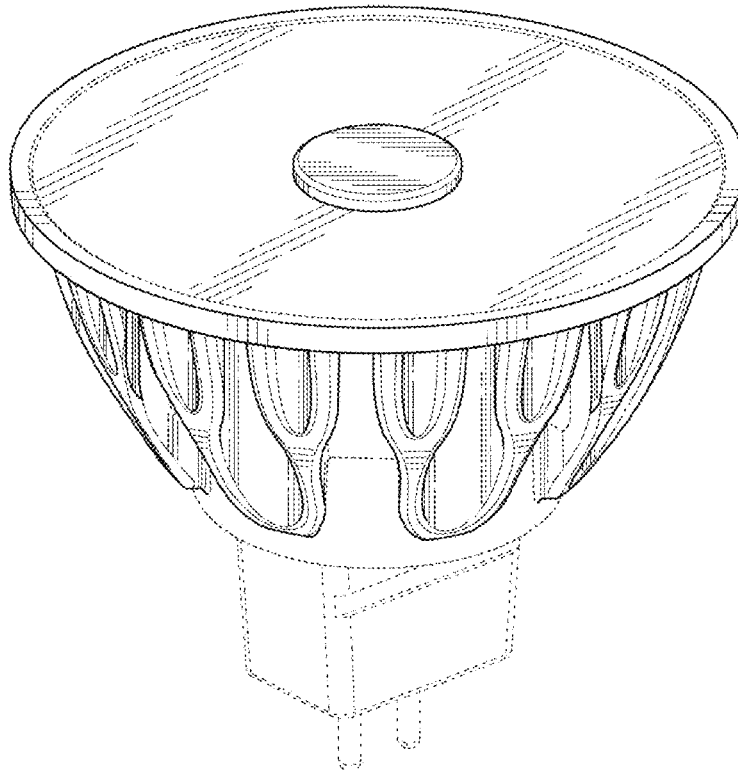
FIG. 5 is a side elevational view from a right side thereof;

FIG. 6 is a top plan view thereof; and,

FIG. 7 is a bottom plan view thereof.

The broken lines in the figures represent unclaimed subject matter and form no part of the claimed design.

**1 Claim, 7 Drawing Sheets**



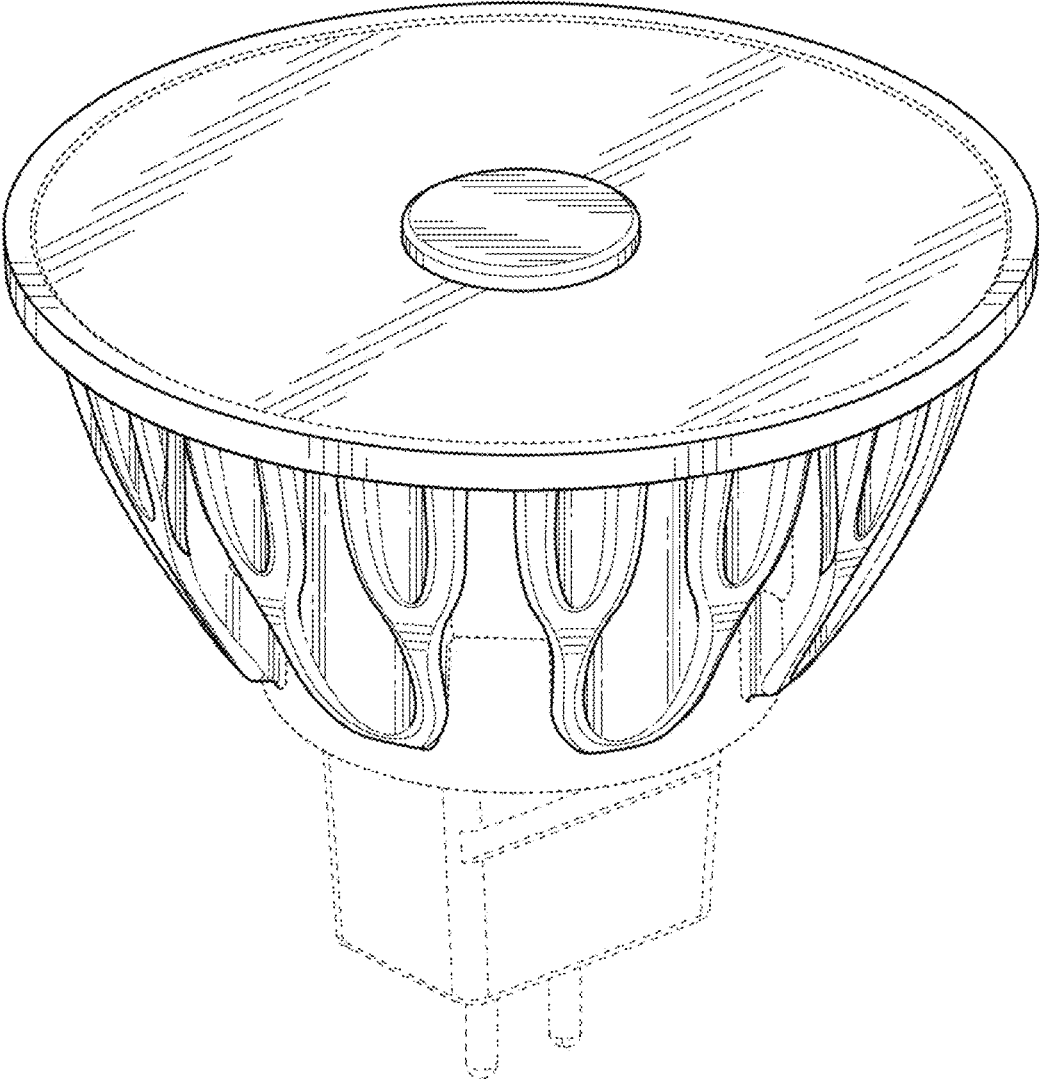


FIG. 1

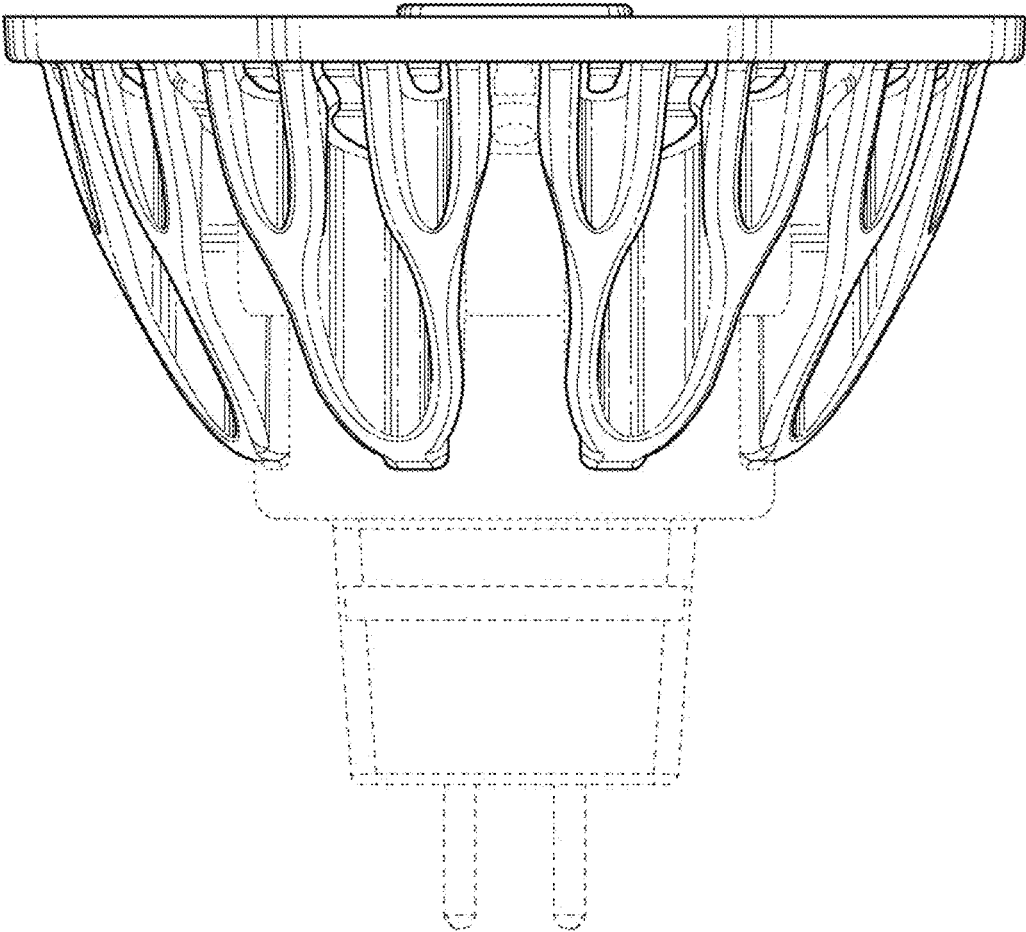


FIG. 2

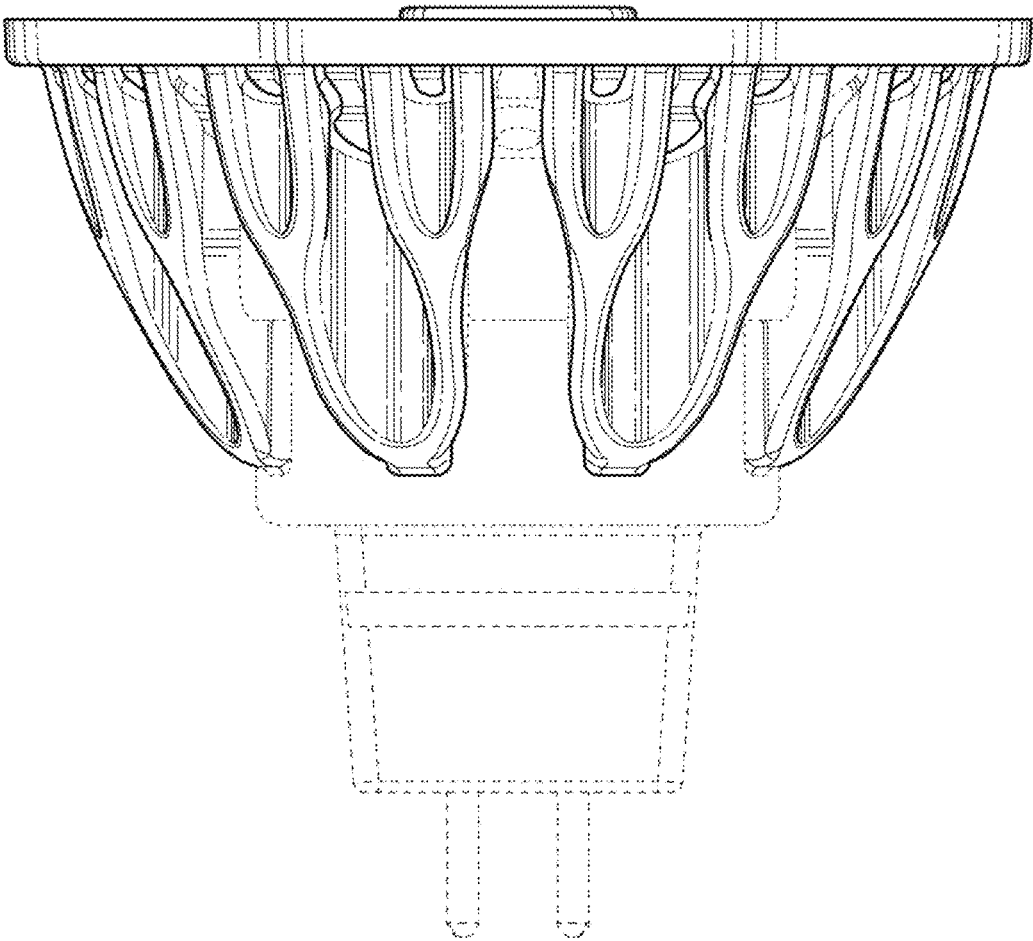


FIG. 3

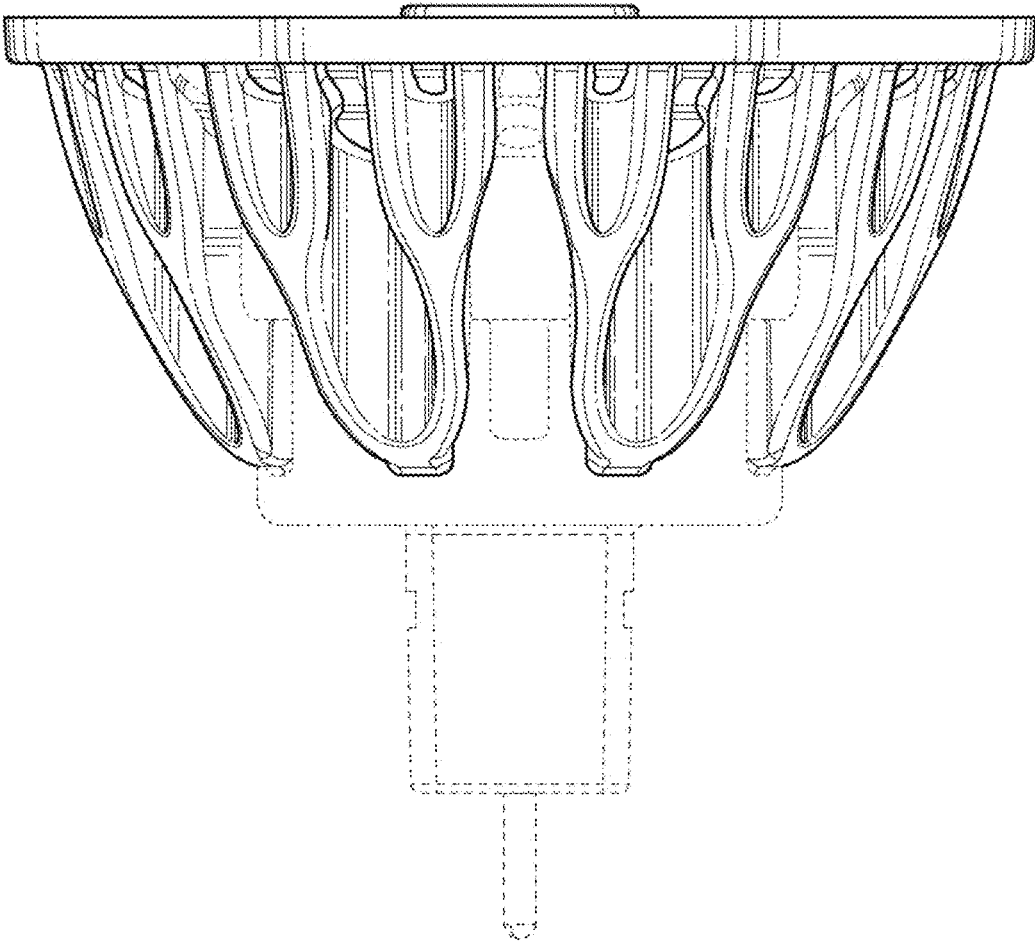


FIG. 4

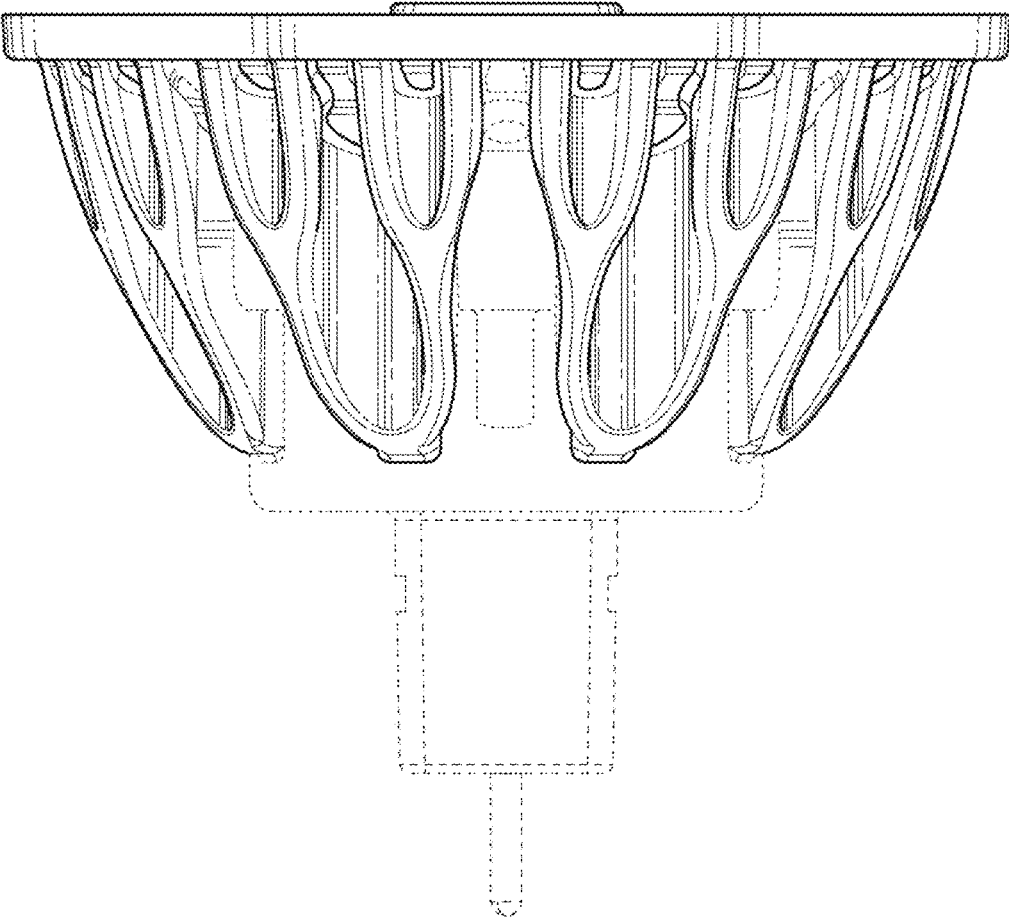


FIG. 5

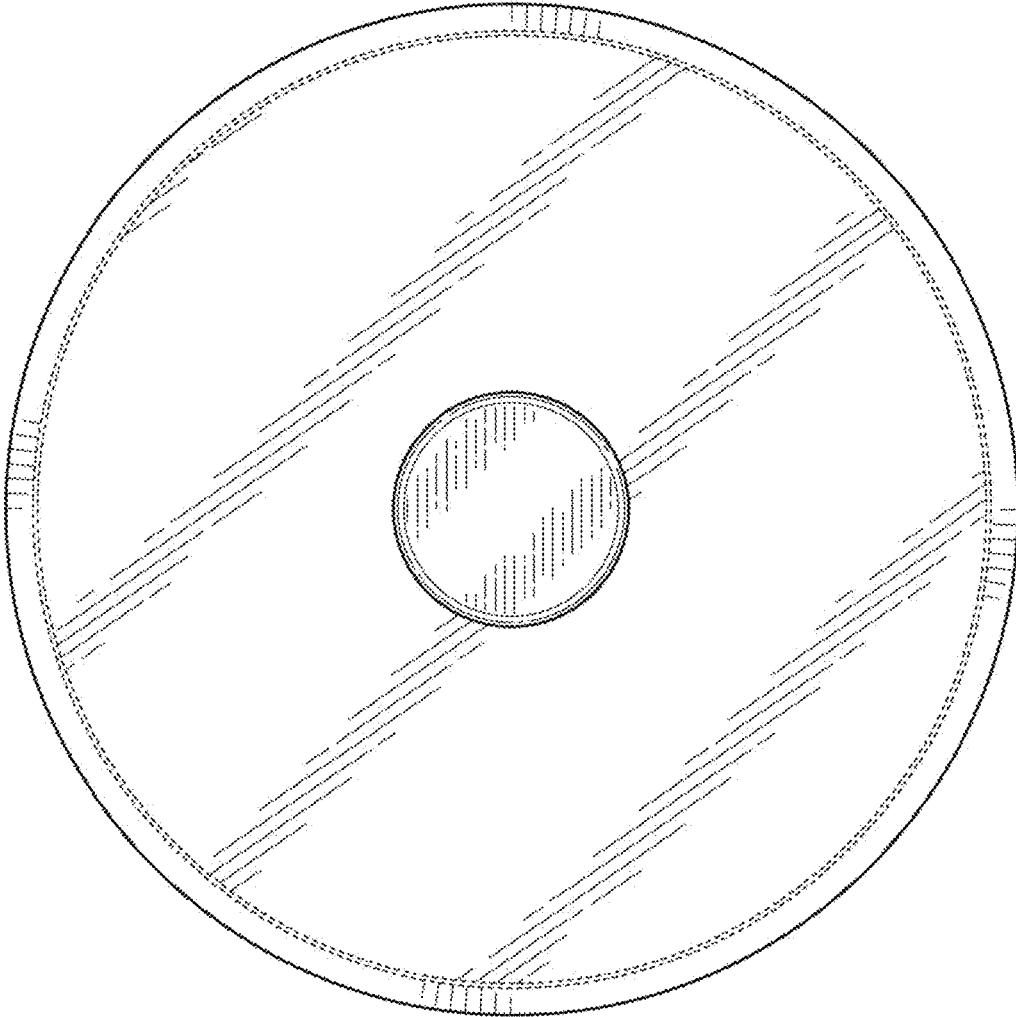


FIG. 6

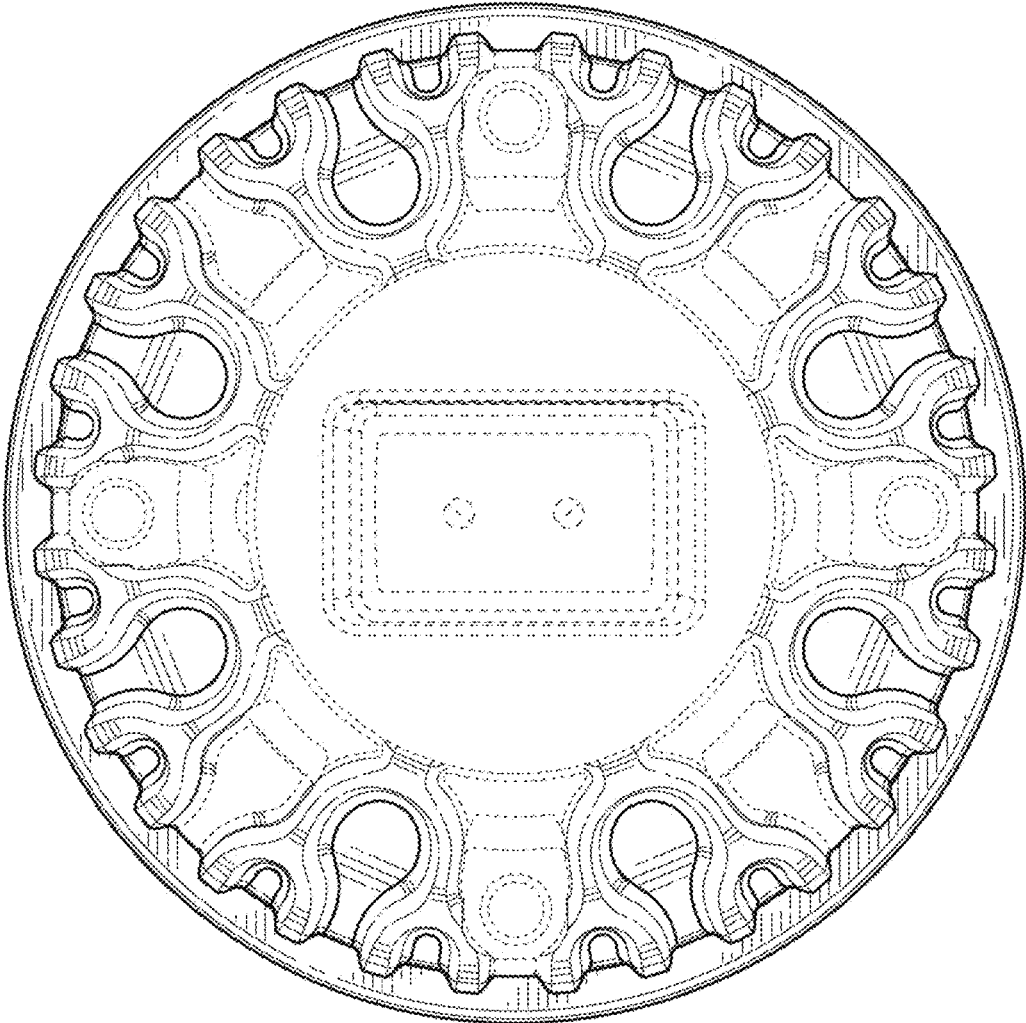


FIG. 7