



US00D985809S

(12) **United States Design Patent** (10) **Patent No.:** **US D985,809 S**  
**Anscheidt et al.** (45) **Date of Patent:** **\*\* May 9, 2023**

(54) **TAIL LIGHT**

(71) Applicant: **Bugatti International S.A.**,  
Luxembourg (LU)

(72) Inventors: **Achim Anscheidt**, Berlin (DE); **Ahmet Daguoen**, Wolfsburg (DE); **Frank Heyl**, Calberlah (DE); **Nils Sajonz**, Wolfsburg (DE)

(73) Assignee: **Bugatti International S.A.**,  
Luxembourg (LU)

(\*\*) Term: **15 Years**

(21) Appl. No.: **29/776,881**

(22) Filed: **Apr. 1, 2021**

(30) **Foreign Application Priority Data**

Oct. 2, 2020 (EM) ..... 008190623

(51) **LOC (14) Cl.** ..... **26-06**

(52) **U.S. Cl.**  
USPC ..... **D26/28**

(58) **Field of Classification Search**  
USPC ..... D26/28, 29, 30, 31, 32, 33, 34, 35, 36,  
D26/139

CPC ..... F21W 2103/35; F21W 2103/40; F21W  
2102/17; F21W 2102/30; F21W 2103/00;  
F21W 2103/55; F21W 2104/00; F21W  
2107/17; F21W 2107/13; F21S 41/00;  
F21S 41/141; F21S 41/162; F21S 41/18;  
F21S 41/20; F21S 41/33; F21S 41/36;  
F21S 41/60; F21S 43/00

See application file for complete search history.

(56) **References Cited**

**U.S. PATENT DOCUMENTS**

D296,937 S \* 7/1988 Inada ..... D26/28  
D745,718 S \* 12/2015 Deyaf ..... D26/28

D751,738 S \* 3/2016 Rekow ..... D26/28  
D776,845 S \* 1/2017 Knie ..... D26/28  
D782,087 S \* 3/2017 Youn ..... D26/28  
D855,843 S \* 8/2019 Von Holzhausen ..... D26/28  
D870,926 S \* 12/2019 Lanini ..... D26/28  
D870,931 S \* 12/2019 Woodhouse ..... D26/28  
D871,631 S \* 12/2019 Lai ..... D26/28  
D890,387 S \* 7/2020 Kim ..... D26/28  
D918,444 S \* 5/2021 Yu ..... D26/28  
D921,244 S \* 6/2021 Jung ..... D26/28

(Continued)

*Primary Examiner* — Angela J Lee

(74) *Attorney, Agent, or Firm* — Blank Rome LLP

(57) **CLAIM**

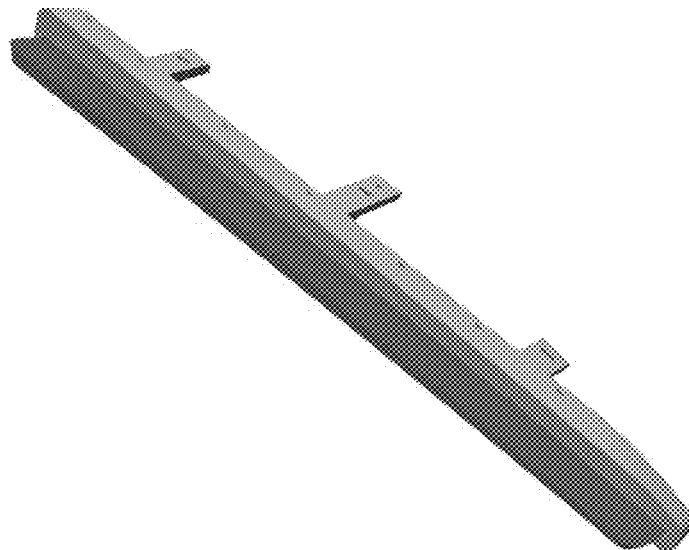
The ornamental design for a tail light, as shown and described.

**DESCRIPTION**

The file of this patent contains a least one drawing/photograph executed in color. Copies of this patent with color drawing(s) will be provided by the Office upon request and payment of the necessary fee.

FIG. 1 is a front view of a tail light of our present design;  
FIG. 2 is a rear view thereof;  
FIG. 3 is a right front perspective view thereof;  
FIG. 4 is a left rear perspective view thereof;  
FIG. 5 is a top view thereof;  
FIG. 6 is a bottom view thereof;  
FIG. 7 is a top right perspective view thereof;  
FIG. 8 is a front view of a second embodiment of a tail light of our present design;  
FIG. 9 is a rear view thereof;  
FIG. 10 is a left front perspective view thereof;  
FIG. 11 is a right rear perspective view thereof;  
FIG. 12 is a top view view thereof;  
FIG. 13 is a bottom view thereof; and,  
FIG. 14 is a top left perspective view thereof.

**1 Claim, 14 Drawing Sheets**  
**(14 of 14 Drawing Sheet(s) Filed in Color)**



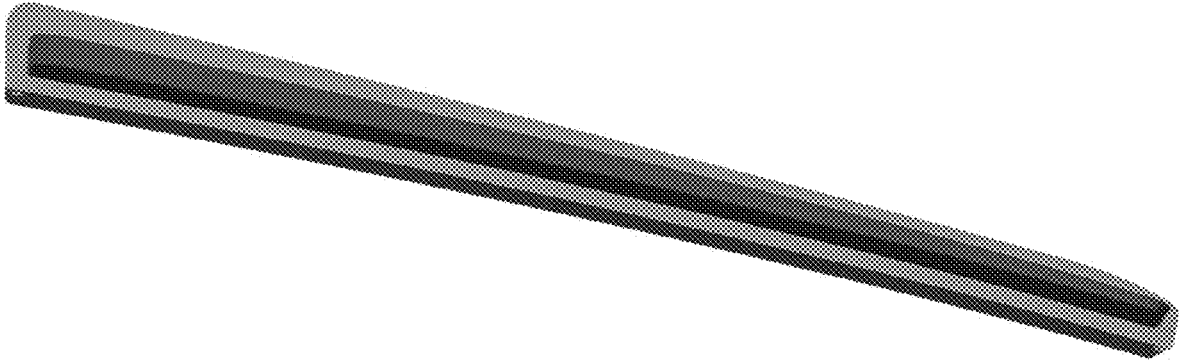
(56)

**References Cited**

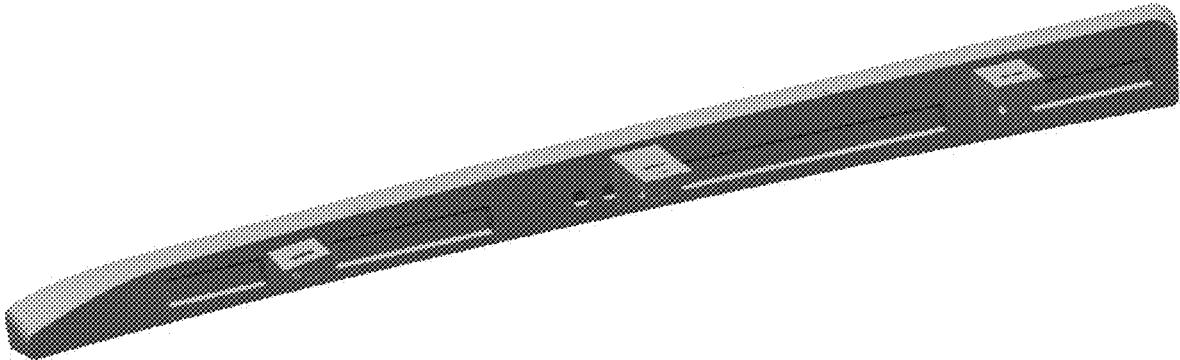
U.S. PATENT DOCUMENTS

D952,917 S *	5/2022	Ha .....	D26/28
D954,311 S *	6/2022	Langhals .....	D26/28
D958,419 S *	7/2022	Caussimon .....	D26/28
D961,820 S *	8/2022	Qin .....	D26/28
D963,521 S *	9/2022	Anscheidt .....	D12/92

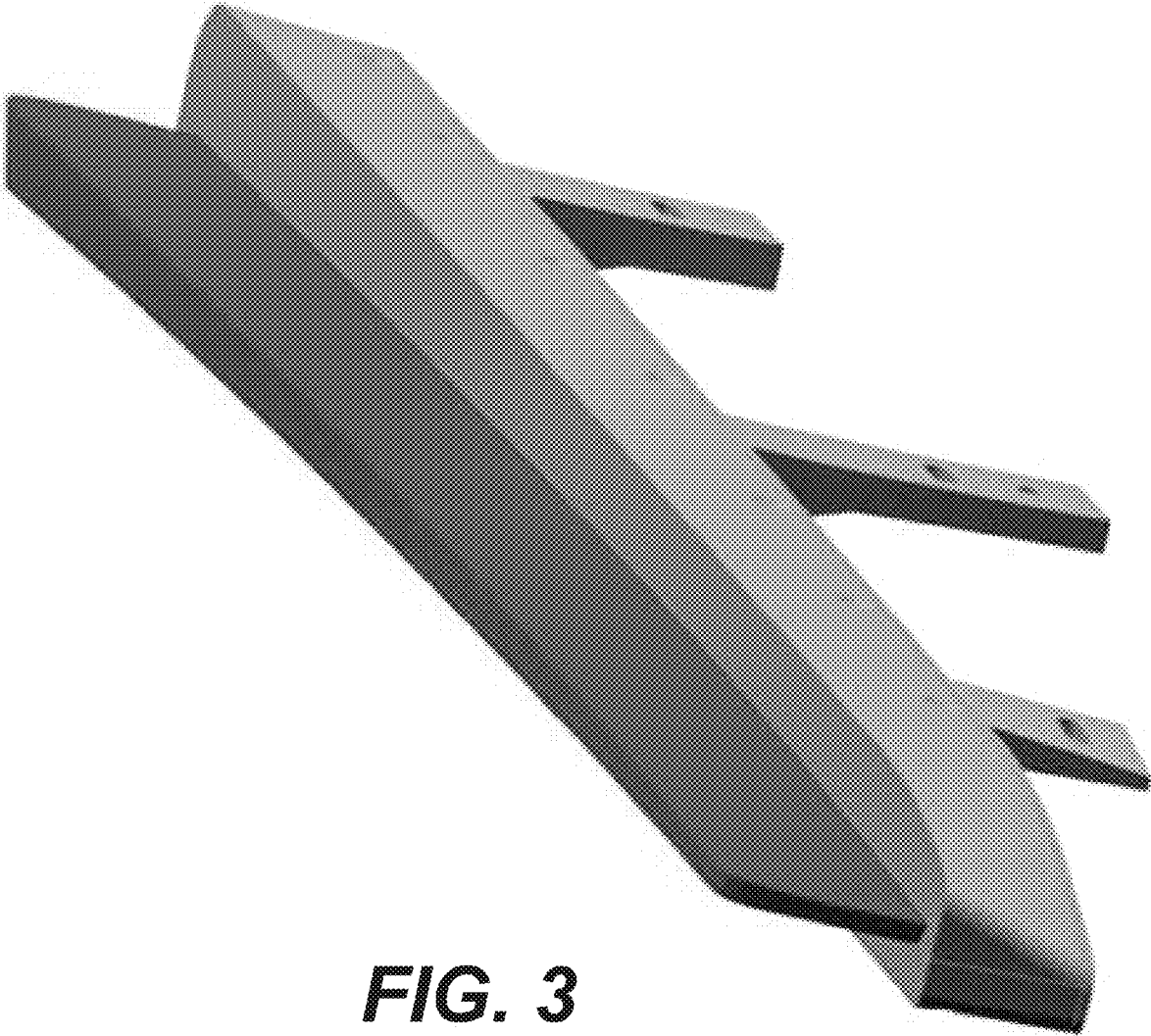
\* cited by examiner



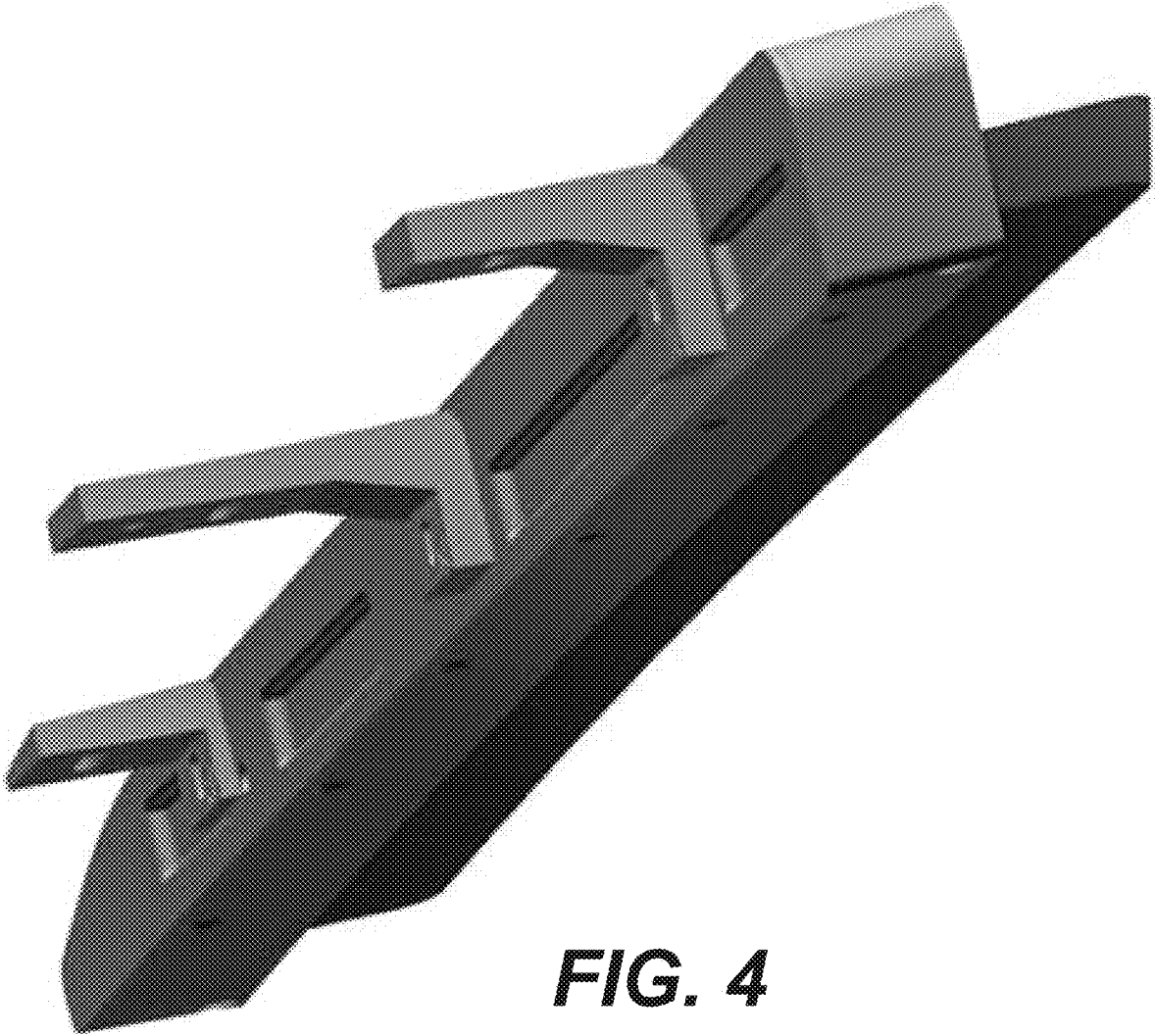
***FIG. 1***



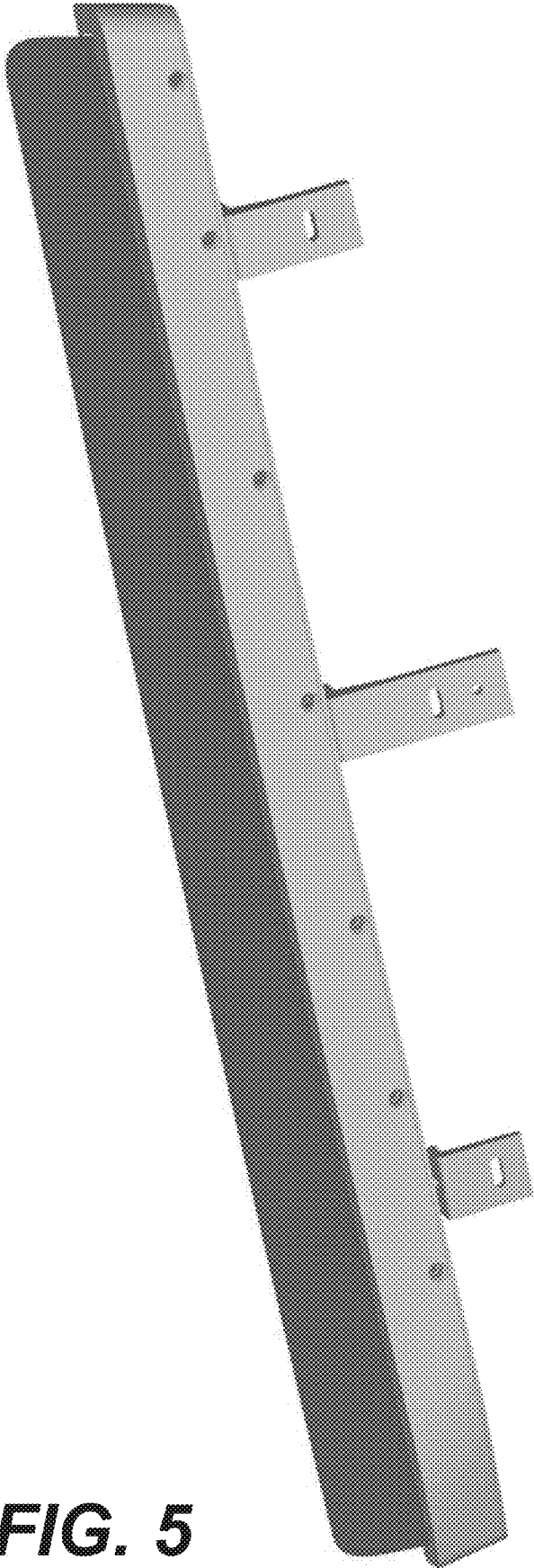
**FIG. 2**



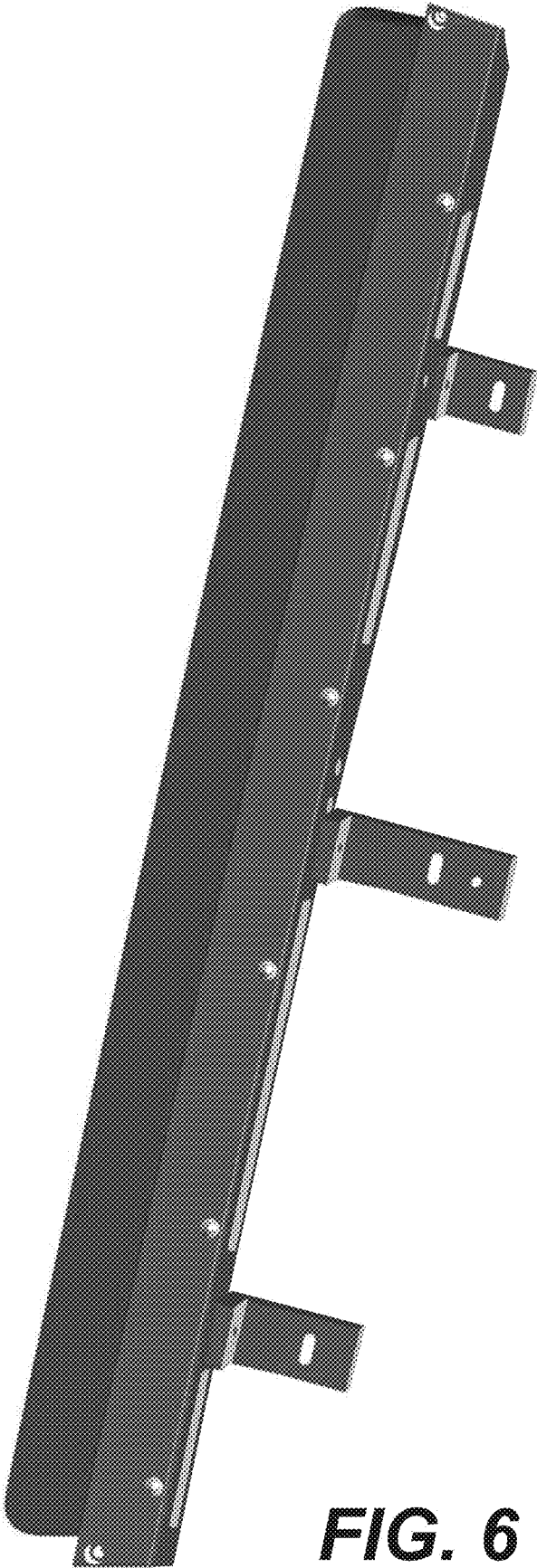
**FIG. 3**



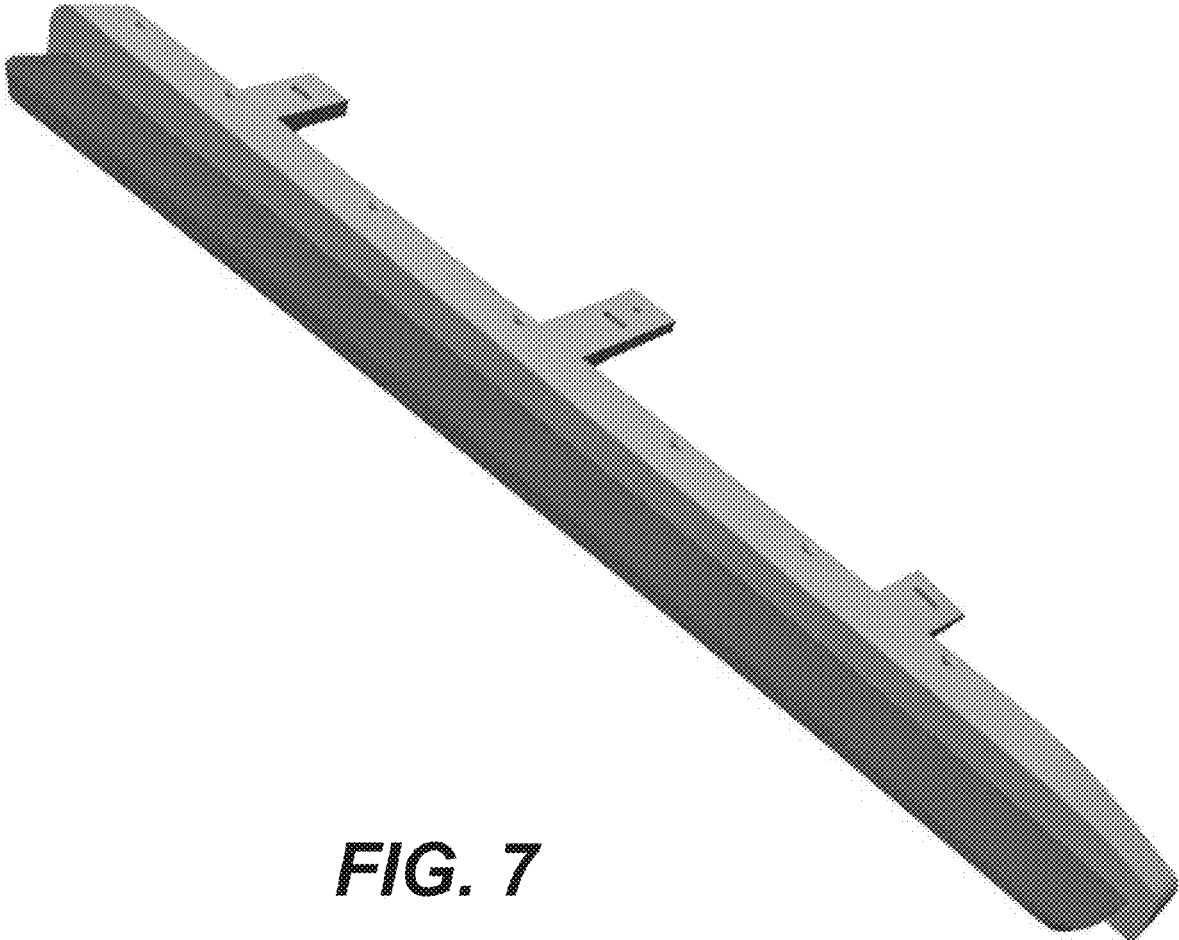
**FIG. 4**



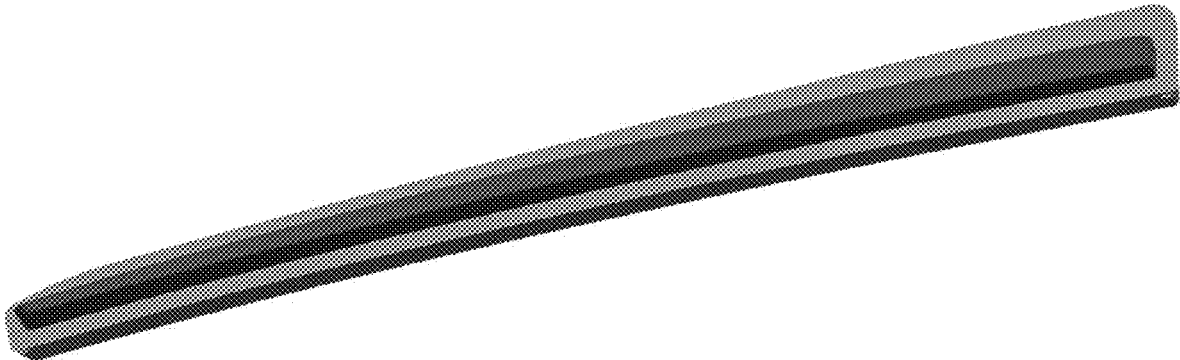
**FIG. 5**



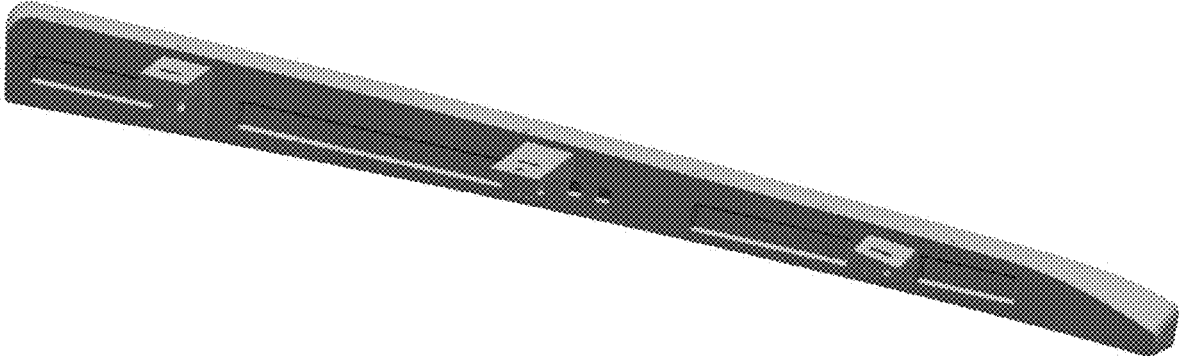
**FIG. 6**



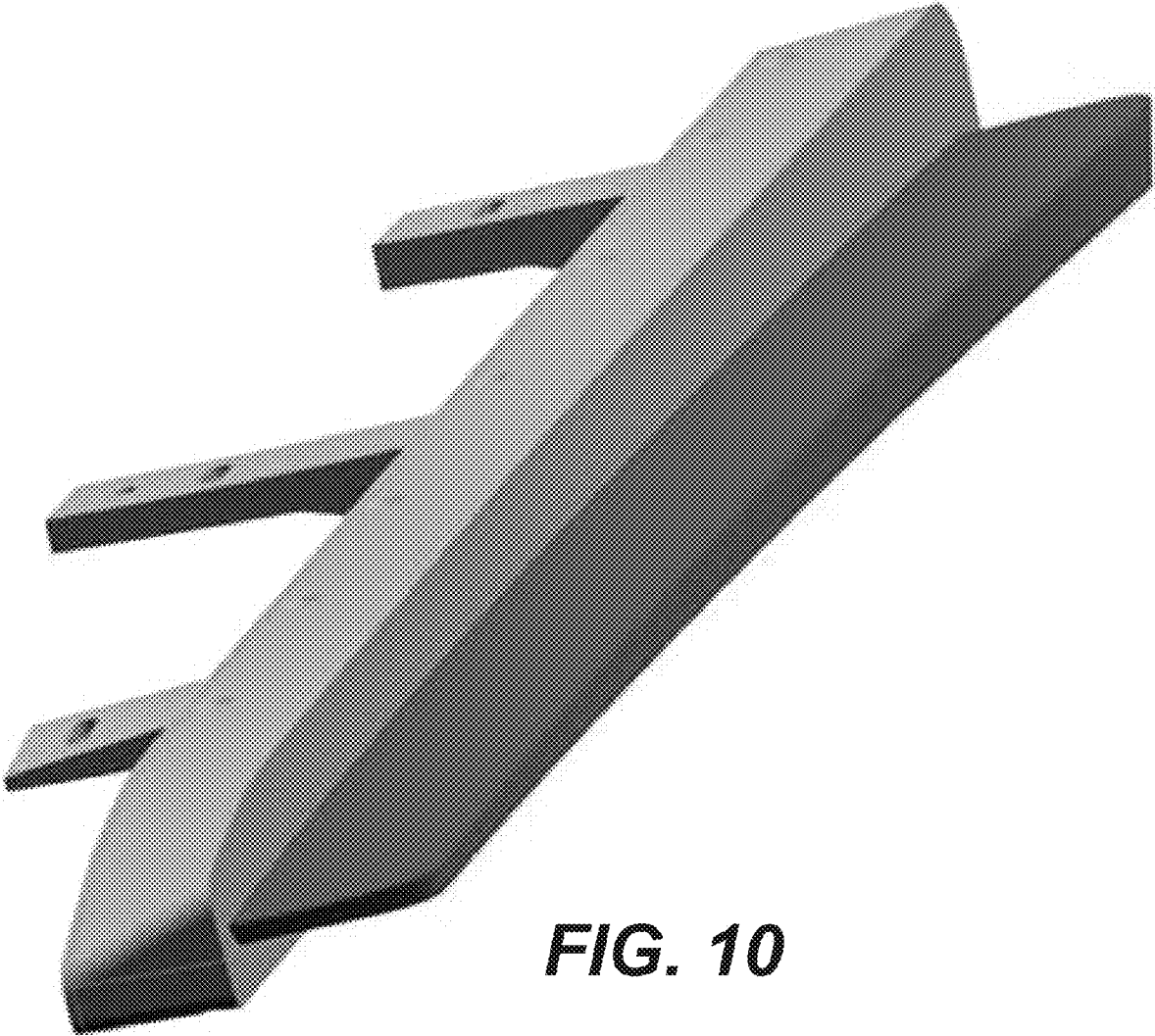
**FIG. 7**



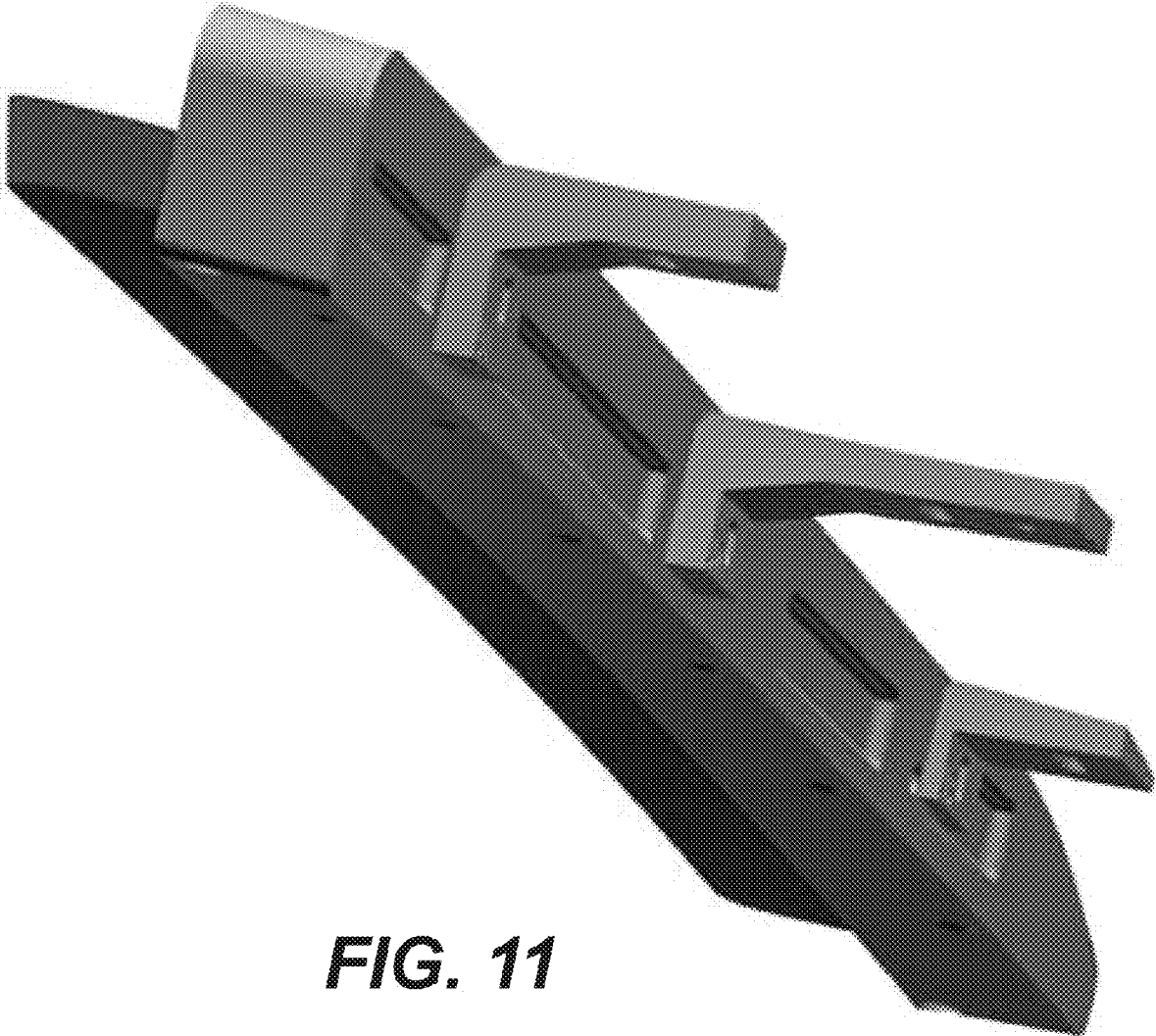
**FIG. 8**



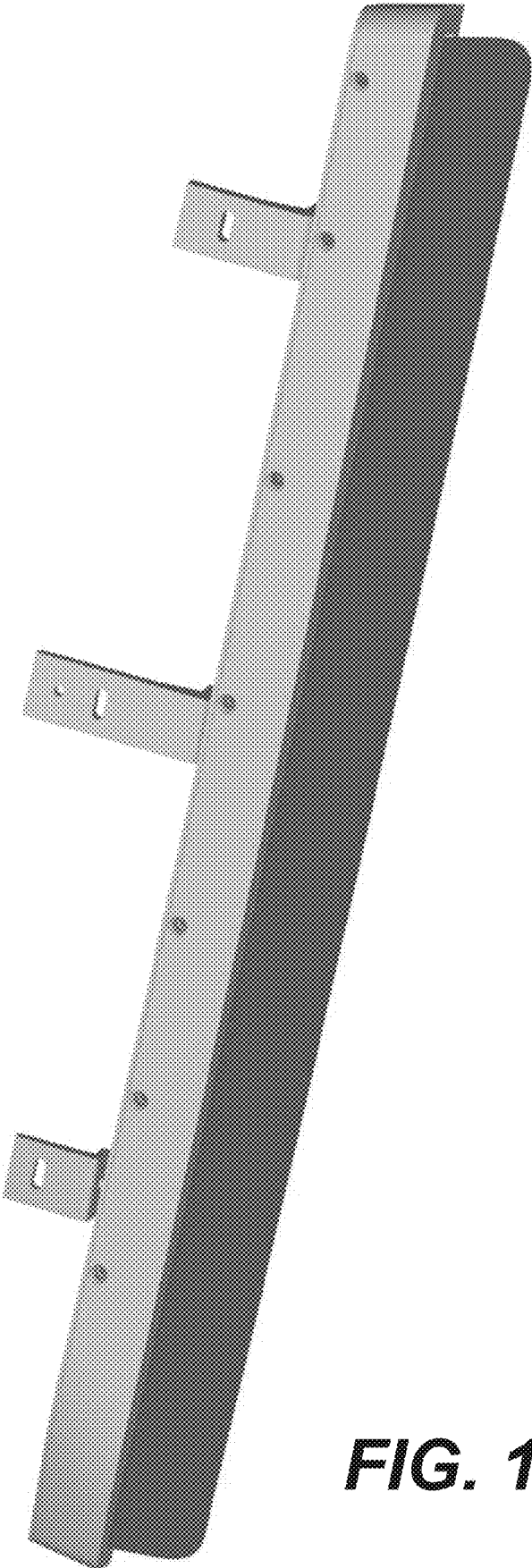
**FIG. 9**



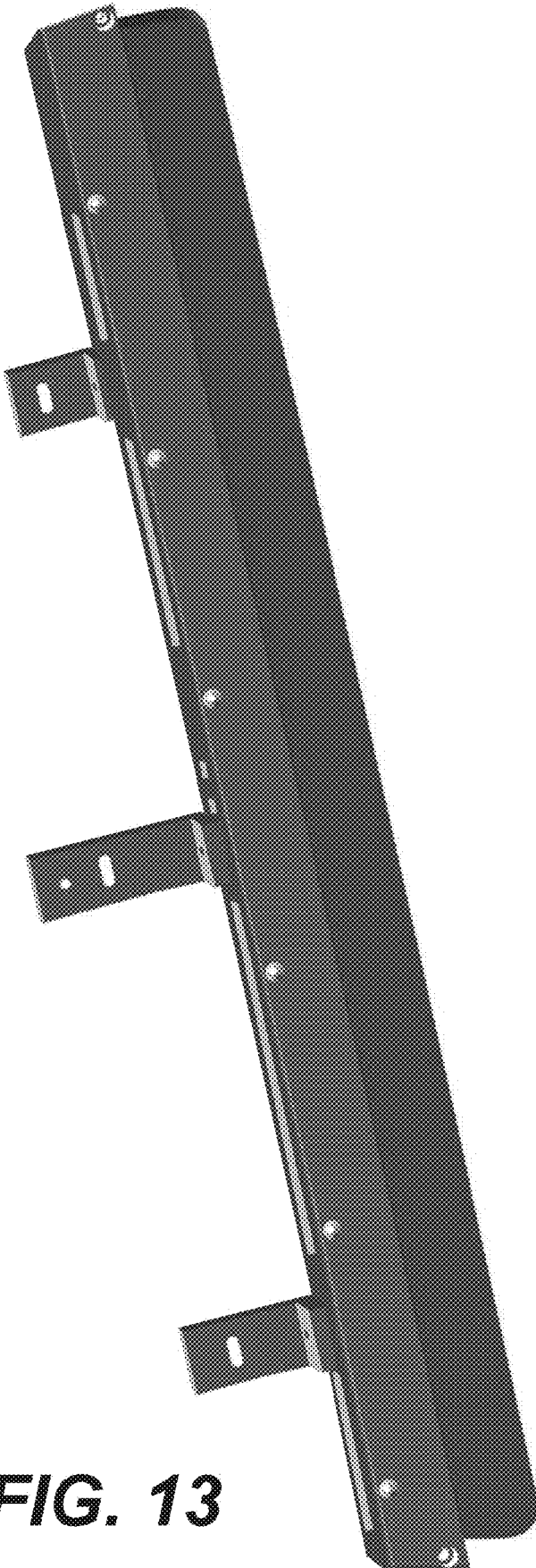
**FIG. 10**



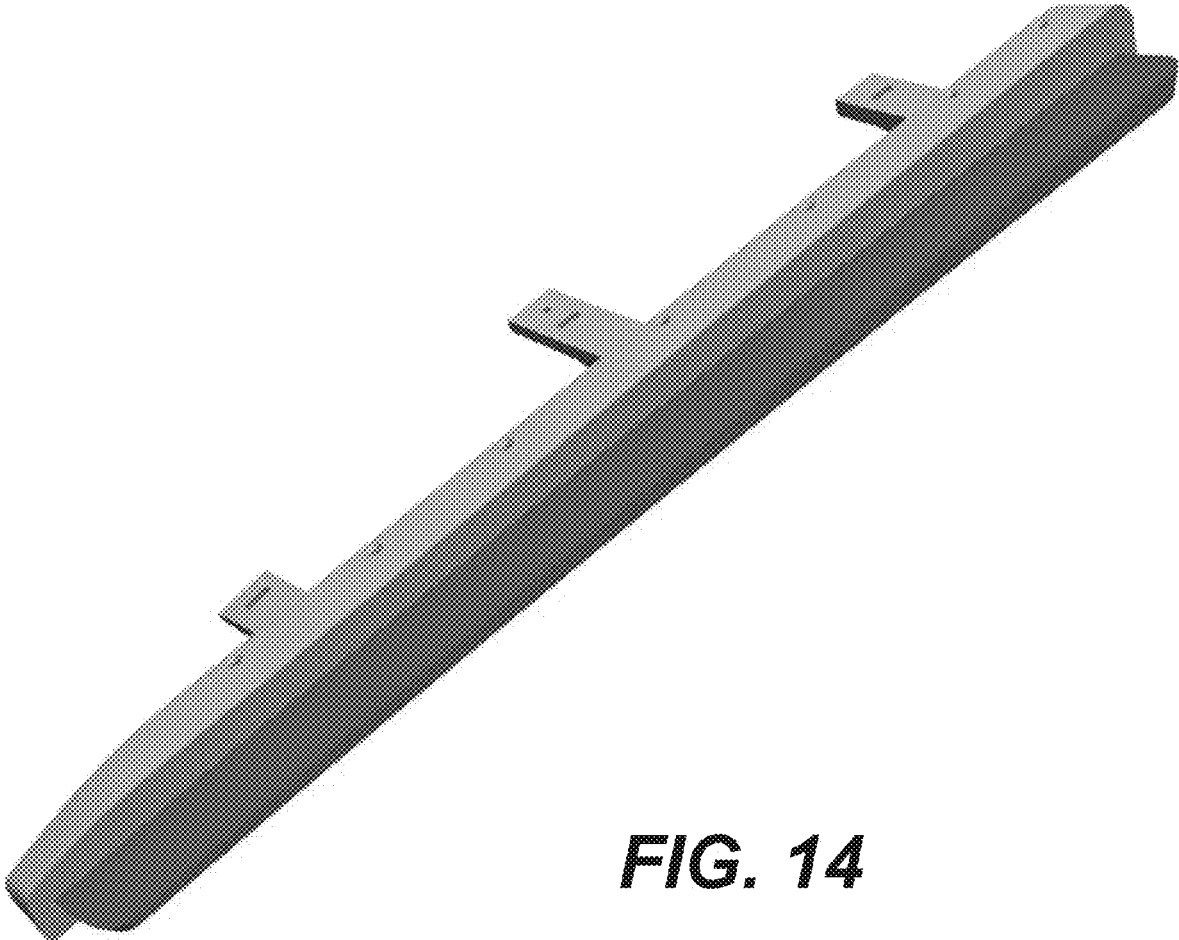
**FIG. 11**



**FIG. 12**



**FIG. 13**



**FIG. 14**