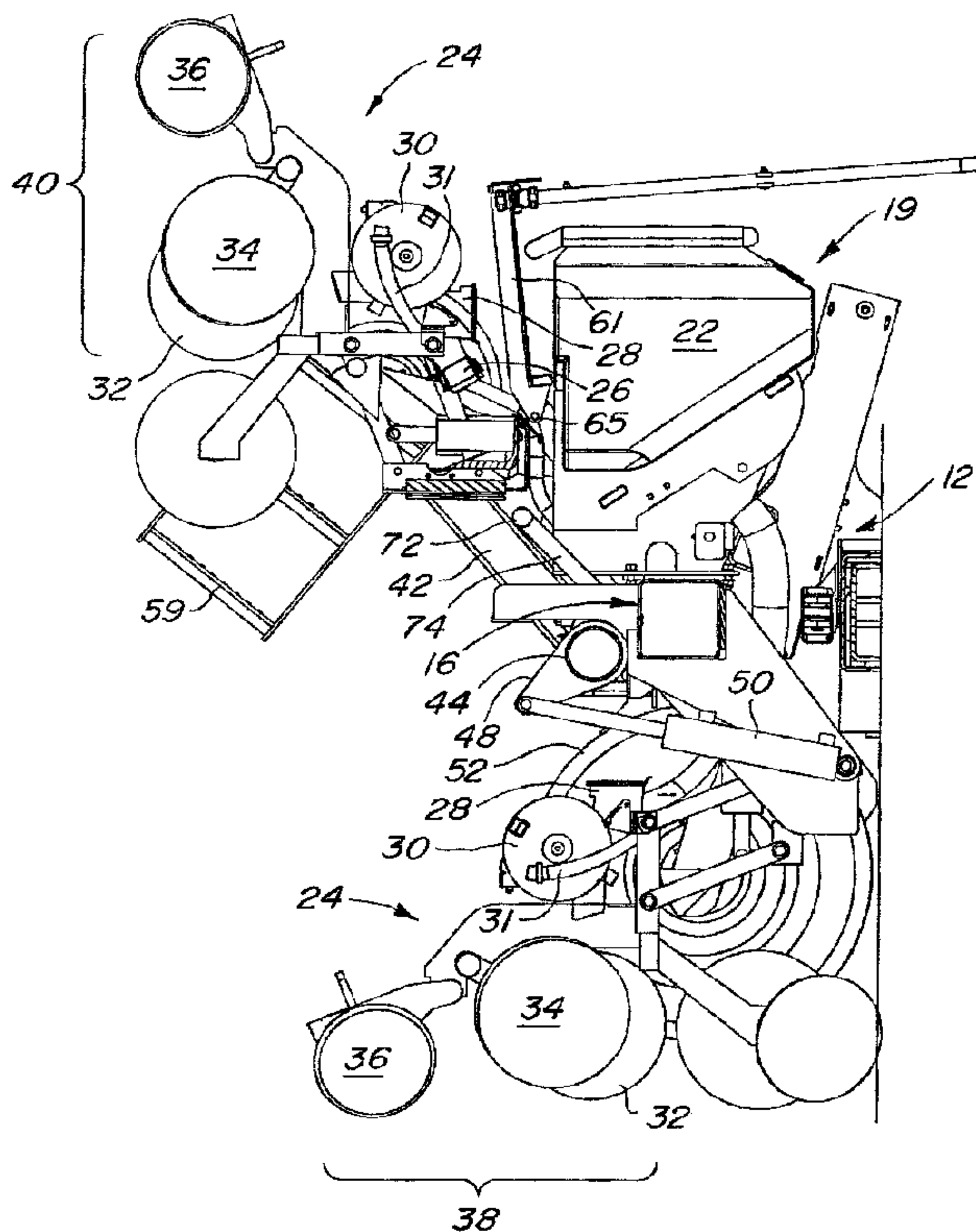




(22) Date de dépôt/Filing Date: 2002/11/27
 (41) Mise à la disp. pub./Open to Public Insp.: 2003/06/18
 (45) Date de délivrance/Issue Date: 2007/06/26
 (30) Priorité/Priority: 2001/12/18 (US10/021,642)

(51) Cl.Int./Int.Cl. *A01C 7/08* (2006.01),
A01B 73/02 (2006.01), *A01B 73/06* (2006.01),
A01C 7/20 (2006.01)
 (72) Inventeurs/Inventors:
 MEYER, BRADLEY JOHN, US;
 HALL, THOMAS LEROY, US;
 BENNETT, ROBERT EDWIN, US;
 GRAHAM, WILLIAM DOUGLAS, US
 (73) Propriétaire/Owner:
 DEERE & COMPANY, US
 (74) Agent: BORDEN LADNER GERVAIS LLP

(54) Titre : SEMOIRS PIVOTANT VERTICALEMENT
 (54) Title: PIVOTING PLANTING UNITS VERTICALLY



(57) Abrégé/Abstract:

A seeding machine comprises a main frame segment and two wing frame segments. In its working configuration the wing frame segments extends transversely. In its transport configuration the wing frame segments are folded forwardly. The wing frame segments are provided with planting units that are mounted to the wing frame segments by pivot arms that extend downwardly and rearwardly. The pivot arms are pivotally mounted to the wing frame segments by a rock shaft. The rock shaft is provided with an actuator bell crank that is coupled to a linear actuator for rotating the rock shaft relative to the wing frame segments. The pivot arms have a working position, wherein the planting units are in their working position, and a transport position, wherein the planting units have been pivoted on their noses into their substantially vertical transport position.

PIVOTING PLANTING UNITS VERTICALLY

Abstract of the Invention

A seeding machine comprises a main frame segment and two wing frame segments. In its working configuration the wing frame segments extends transversely. In its transport configuration the wing frame segments are folded forwardly. The wing frame segments are provided with planting units that are mounted to the wing frame segments by pivot arms that extend downwardly and rearwardly. The pivot arms are pivotally mounted to the wing frame segments by a rock shaft. The rock shaft is provided with an actuator bell crank that is coupled to a linear actuator for rotating the rock shaft relative to the wing frame segments. The pivot arms have a working position, wherein the planting units are in their working position, and a transport position, wherein the planting units have been pivoted on their noses into their substantially vertical transport position.

PIVOTING PLANTING UNITS VERTICALLY

Field of the Invention

The present invention is directed to a seeding machine having forwardly folded wing frame segments wherein planting units are pivoted vertically to reduce the transport width of the machine.

Background of the Invention

Agricultural implements, like seeding machines, have a wide transverse working configuration so that the machine covers as much ground as possible in a single pass. Typically, the seeding machine can be folded from its working configuration to a more manageable transport configuration.

Some seeding machines are provided with a frame having a central main frame segment and two wing frame segments. The central main frame segment is provided with a forwardly extending tow bar for coupling the machine to a tractor. The wing frame segments are pivotally coupled to the main frame by fore/aft extending axes so that the wings can flex relative to the main frame to allow the wing frames to more closely follow the contour of the ground. Individual planting units are mounted to the frame segments by parallelogram linkages so that the planting units can move a limited amount up and down relative to the respective frame segment. One method of folding the frame of the seeding machine described above is to forwardly fold the wings along the tow bar.

To plant on more closely spaced rows it is known to interleave the planting units. All of the planting units can be used to plant a narrow row crop, or selective planting units can be raised to planter a wider row crop.

It is also known to pivot planting units on their noses from a horizontal planting position to a more vertical non-planting position.

Summary of the Invention

A seeding machine comprises a main frame segment and two wing frame segments. In its working configuration the seeding machine extends transversely. In its transport configuration the wing frame segments are folded forwardly. All three frame segments are provided with interleaved planting units forming a front rank of

planting units and a rear rank of planting units that are interleaved. The rear ranks of planting units are mounted to the wing frame segments by pivot arms that extend downwardly and rearwardly from the wing frame segments. The pivot arms are pivotally mounted to the wing frame segments by a rock shaft. The rock shaft is provided with an actuator bell crank that is coupled to a linear actuator for rotating the rock shaft relative to the wing frame segments. The pivot arms have a working position, wherein the planting units are in their working position, and a transport position, wherein the planting units have been pivoted on their noses into their substantially vertical transport position. By rotating the planting units on the wing frame segments on their noses the transport width of the seeding machine is reduced.

The frame segments are provided with banks of individual seed hoppers. The individual seed hoppers feed seed to the planting units through flexible tubes. One tube extends between each planting unit and each individual seed hopper.

Brief Description of the Drawings

Figure 1 is a side view of a seeding machine of the present invention in its working configuration.

Figure 2 is a rear perspective view of a seeding machine of the present invention in its working configuration with the planting units raised.

Figure 3 is a rear perspective view of a seeding machine of the present invention in its transport configuration.

Figure 4 is a left side view of a wing frame segment of the seeding machine illustrated in Figure 2.

Figure 5 is a left side view of a wing frame segment of the seeding machine illustrated in Figure 3.

Figure 6 is a right side view of a wing frame segment of the seeding machine of the present invention wherein the rear rank of planting units is in its intermediate holding position.

Figure 7 is a partial cross sectional view taken along line 7--7 of Figure 6.

Figure 8 is a perspective view of a bank of seed hoppers of the seeding

machine of the present invention.

Figure 9 is an exploded view of the bank of seed hoppers in Figure 8 with the detachable lid.

Figure 10 is a cross sectional perspective view of the bank of seed hoppers.

Description of the Preferred Embodiment

Figure 1 is a side view of a towed agricultural implement in the form of a seeding machine 10. The seeding machine 10 is coupled to a tractor by a tow bar 12 having a hitch 14. The tow bar 12 extends forwardly from a frame 16. The frame comprises three frame segments, a main frame 18, and left and right wing frames 19 and 20. The wing frames 19 and 20 can be pivoted relative to the main frame 18 about left and right fore/aft extending pivots 21. These fore/aft extending pivots 21 permit the wing frames 19 and 20 to better follow the contour of the ground as the seeding machine 10 is being pulled through the field. The wing frames 19 and 20 can also be folded in a forward manner about vertically extending pivots, so that the seeding machine 10 assumes the transport configuration illustrated in Figure 3.

Each of the frame segments 18, 19 and 20 are provided with banks of seed hoppers 22. The banks of seed hoppers 22 direct seed to individual planting units 24 by means of flexible tubes 26. In the illustrated embodiment, each planting unit 24 comprises an auxiliary hopper 28, a seed meter 30, a furrow opener 32, depth gauging wheels 34 and furrow closing wheels 36. Seed is directed into the auxiliary hopper 28 by flexible tube 26. Seed is then metered by the seed meter 30. In the illustrated embodiment, the seed meter 30 is a vacuum seed meter coupled to a vacuum line 31. The metered seed is then directed to a seed tube, not shown, which directs the seed into the planting furrow formed by the furrow opener 32. The planting furrow is then closed by the furrow closing wheels 36, sealing the seed in the closed planting furrow.

The planting units 24 are arranged in a front rank 38 and a rear rank 40 on each frame segment 18, 19 and 20. The front ranks 38 of planting units 24 are mounted directly to the frame segments 18, 19 and 20, so the front ranks 38 move with the respective frame segment. Similarly, the rear rank 40 of main frame

planting units is mounted to the main frame segment 18, so they move with the main frame segment 18. The rear ranks 40 of planting units 24 mounted on the wing frame segments 19 and 20 are mounted to pivot arms 42 that extend downwardly and rearwardly from a rock shaft 44. The rockshaft 44 is rotatably coupled to the wing frame segment 20 by bearings 46. An actuator bell crank 48 that is driven by linear motor 50 rotates the rockshaft 44. In the illustrated embodiment, the linear motor 50 is a double acting hydraulic cylinder. The front rank 38 and the rear rank 40 of planting units 24 are interleaved with one another.

The pivot arms 42 can be rotated from their working position, illustrated in Figure 1, to their transport position, illustrated in Figures 3 and 5, by the linear motors 50 driving the respective actuator bell cranks 48 of the rock shaft 44. In this way when the wing frame sections 19 and 20 are rotated forwardly, as illustrated in Figures 3 and 5, the rear ranks 40 of planting units 24 are rotated into their substantially vertical transport position, providing the seeding machine 10 with a more narrow transport width. The rockshaft 44 is provided with driven bell cranks 45 having lift links 47.

The frame segments 18, 19 and 20 are provided with ground support wheels 52. The ground support wheels 52 contact the ground when the seeding machine 10 is in its working configuration. Downpressure to each planting unit 24 is applied by a pneumatic downpressure cylinder 54. The pneumatic downpressure cylinder 54 extends between the main and wing frame segments 18, 19 and 20 and the front rank 38 of planting units 24 and main frame segment 18 and the rear rank 40 of planting units 24. For the rear rank 40 of planting units 24 on the wing frame segments 19 and 20, the pneumatic downpressure cylinder 54 extends between the pivot arm 42 and the planting units 24. The pneumatic downpressure cylinders 54 engage a parallelogram linkage 56 joining the planting units to the respective frame segments 18 and 20 and pivot arms 42. The parallelogram linkage 56 allows the planting units 24 to follow the ground relative to the frame segments 18, 19 and 20 and pivot arms 42.

As the seeding machine is moved from its working configuration to its transport configuration, the main frame segment 18 ground support wheels 52 are

extended by hydraulic cylinders 58 raising the frame 16. The wing frame segments 19 and 20 are pivoted forwardly until they engage the tow bar 12 with catches 53. The linear motors 50 are extended pivoting the rockshafts 44 by means of the actuator bell cranks 48. In this way, the pivot arms 42 and attached planting units 24 are rotated from their working position to their transport position.

The seed hoppers 22 are provided with access lids 58 for accessing the interior of the seed hoppers 22. To fill the seed hoppers 22 the operator mounts steps 59 onto operator walkway 60 and opens the access lids 58. The walkway 60 is located above the row units 24 when they are in their working position. The walkway 60 comprises a footboard 61 and a walkway frame 62. The walkway frame 62 is provided with railings 64 and warning lights 66. The footboard 61 on each of the wing frame segments 20 is pivotally coupled to a walkway frame 62 by footboard pin 65. The walkway frame 62 is pivotally coupled to the wing frame segments 19 and 20 by a walkway frame pin 66. The walkway frame pin 66 defines a second pivot axis that is parallel to the first pivot axis defined by the rockshaft 44. Similarly, the footboard pin 65 defines a third pivot axis that is parallel to the first and second pivot axes.

As linear motor 50 is extended, it rotates the rockshaft 44 by rotating driven bell crank 45 and moving lift link 47. The lift link 47 is coupled to the walkway frame 62 by lift link pin 68. The lift link 47 is provided with a lost motion slot 49. The lost motion slot 49 permits the pivot arms 42 to be raised a limited amount before the walkway frame 62 is pivoted relative to the wing frame segments 19 and 20. As the lift link 47 engages the walkway frame 62, the walkway frame 62 and the footboard 61 are pivoted about the walkway frame axis (second pivot axis) defined by walkway frame pin 66. Further rotation of the rockshaft 44 causes the rear ranks 40 of planting units 24 for the wing frame segments 19 and 20 to butt up against the footboard 61. Bumpers 70 mounted to the planting units 24 engage the underside of the footboard 61. The bumpers 70 automatically pivot the footboard 61 about the footboard pivot axis (third pivot axis) defined by footboard pin 65 relative to the walkway frame 62. In its final transport position the footboards 61 are sandwiched between the seed hoppers 22 and the rear ranks 40 of planting units 24 for the wing

frame segments 19 and 20.

Transversely extending tube supports 72 are pivotally attached to the wing frame segments 19 and 20 by links 74. The tube supports 72 are located below the operator walkways 60 and support the flexible tubes 26 for the rear ranks 40 of planting units 24. The tube supports 72 rest on the rockshaft 44 when the seeding machine is in its working configuration. As the pivot arms 42 are pivoted to their transport position, the pivot arms 42 contact the tube support 72 raising the tube supports 72 with the pivot arms 42. The tube supports 72 lift the flexible tubes 26 preventing them from kinking when the planting units 24 are raised into their transport positions.

As shown in Figure 6, the seeding machine 10 has a second working configuration wherein the front ranks 38 of planting units 24 are used for planting and the second rank of planting units are pivoted upwardly by the pivot arms 42 into an intermediate holding position. In the intermediate holding position the rear ranks 40 of planting units 24 are no longer in contact with the ground and only the front rank 38 of planting units are planting seed. In this way, the front ranks 38 of planting units 24 can be used to plant at a wider row spacing than when the rear ranks 40 of planting units 24 are employed. For example, when the rear ranks 40 are in their intermediate holding position, the front ranks 38 of the planting units 24 can be used to plant corn in thirty-inch rows. When the rear ranks 40 of planting units 24 are lowered the seeding machine 10 can be used to plant soybeans in fifteen-inch rows. To maintain the rear ranks 40 of planter units 24 in the intermediate holding position, a U-shaped stop 76 is provided which fits over the linear actuator 50 and blocks the retraction of the hydraulic cylinder.

A bank of seed hoppers 22 is best illustrated in Figures 8 - 10. The bank of seed hoppers 22 comprises a series of individual plastic hoppers 80 having adjoining walls 82. The adjoining walls 82 are provided with notches 84 so that seed can flow from one individual hopper 80 to another when both the front and rear ranks 38 and 40 of planting units 24 are in their working configuration. The notches 84 are outlined by a seal 86 that overlies the adjoining walls 82 of the individual hoppers 80. When the rear ranks are raised into their intermediate holding position only half the

planting units 24 are being used, so that alternating individual hoppers 80 feed non-working planting units 24. As such, the bank of seed hoppers 22 is provided with removable baffles 88 having downwardly extending legs 90 that engage the adjoining walls 82 of the individual hoppers 80. The downwardly extending legs 90 cooperate with the notches 84 to seal a working individual hopper 80 from the adjoining non-working individual hopper 80. The legs are provided with a horizontal cover 94 that prevent seed from being deposited into the non-working hopper. Please note there are two types of baffles 88, the rightmost baffle 88 in Figures 8 - 10 seals an end hopper 80 and the other two illustrated baffles 88 seal non-working hoppers 80 located between working hoppers 80. The baffle for the end hopper is provided with one downwardly extending leg 90, whereas the other two baffles 88 are provided with two downwardly extending legs. The covers 94 of the baffles 88 are provided with upwardly extending lips 96. The upwardly extending lips 96 engage the recessed underside of access lid 58 to better fix the position of the baffles 88 relative to the individual hoppers 80. The access lid 58 is pivotally secured to the frame segments 18, 19 and 20 by hinge arms 98.

Having described the preferred embodiment, it will become apparent that various modifications can be made without departing from the scope of the invention. For example, a mechanical seed meter or a positive pressure pneumatic seed meter may be used in place of the vacuum seed meter disclosed in the specification above. Similarly, the seed can be directed to the individual unit hoppers by a pneumatic seed on demand system from a central hopper, instead of a using the gravity delivery system disclosed in the specification above. Therefore the present invention should be limited solely by the claims that follow.

CLAIMS:

1. A seeding machine comprising:
 - a longitudinally extending tow bar;
 - a main frame transverse to the tow bar;
 - a wing frame is pivotally mounted to the main frame so that the wing frame can be folded forward from a transverse working configuration to a longitudinal transport configuration along the tow bar;
 - a hopper for holding seed;
 - a pivot arm having a first end and a second end, the first end of the pivot arm is pivotally mounted to the wing frame, the pivot arm having a working position and a transport position;
 - a planting unit is mounted to the second end of the pivot arm, the planting unit comprises a seed meter, an auxiliary hopper and a ground engaging furrow opener, wherein when the pivot arm is in the working position the planting unit is in contact with the ground;
 - a flexible tube extends between the hopper and the auxiliary hopper of the planting unit for directing seed from the hopper to the planting unit;
 - when the wing frame is folded forward to the transport configuration, the pivot arm is rotated to the longitudinal transport position wherein the planting unit is pivoted to a vertical position longitudinally inward of the working position; and
 - wherein the planting unit is attached to the pivot arm by a parallel linkage that allows the planting unit to follow the ground independent of the pivot arm when the pivot arm is in the working position.

2. A seeding machine as defined by claim 1 wherein the pivot arm has an intermediate position between the working position and the transport position, whereby the ground engaging furrow opener is no longer in contact with the ground.

3. A seeding machine comprising:
 - a longitudinally extending tow bar;

a main frame transverse to the tow bar;

a wing frame is pivotally mounted to the main frame so that the wing frame can be folded forward from a transverse working configuration to a longitudinal transport configuration along the tow bar;

a hopper for holding seed;

a pivot arm having a first end and a second end, the first end of the pivot arm is pivotally mounted to the wing frame, the pivot arm having a working position and a transport position;

a planting unit is mounted to the second end of the pivot arm, the planting unit comprises a seed meter, an auxiliary hopper and a ground engaging furrow opener, wherein when the pivot arm is in the working position the planting unit is in contact with the ground;

a flexible tube extends between the hopper and the auxiliary hopper of the planting unit for directing seed from the hopper to the planting unit;

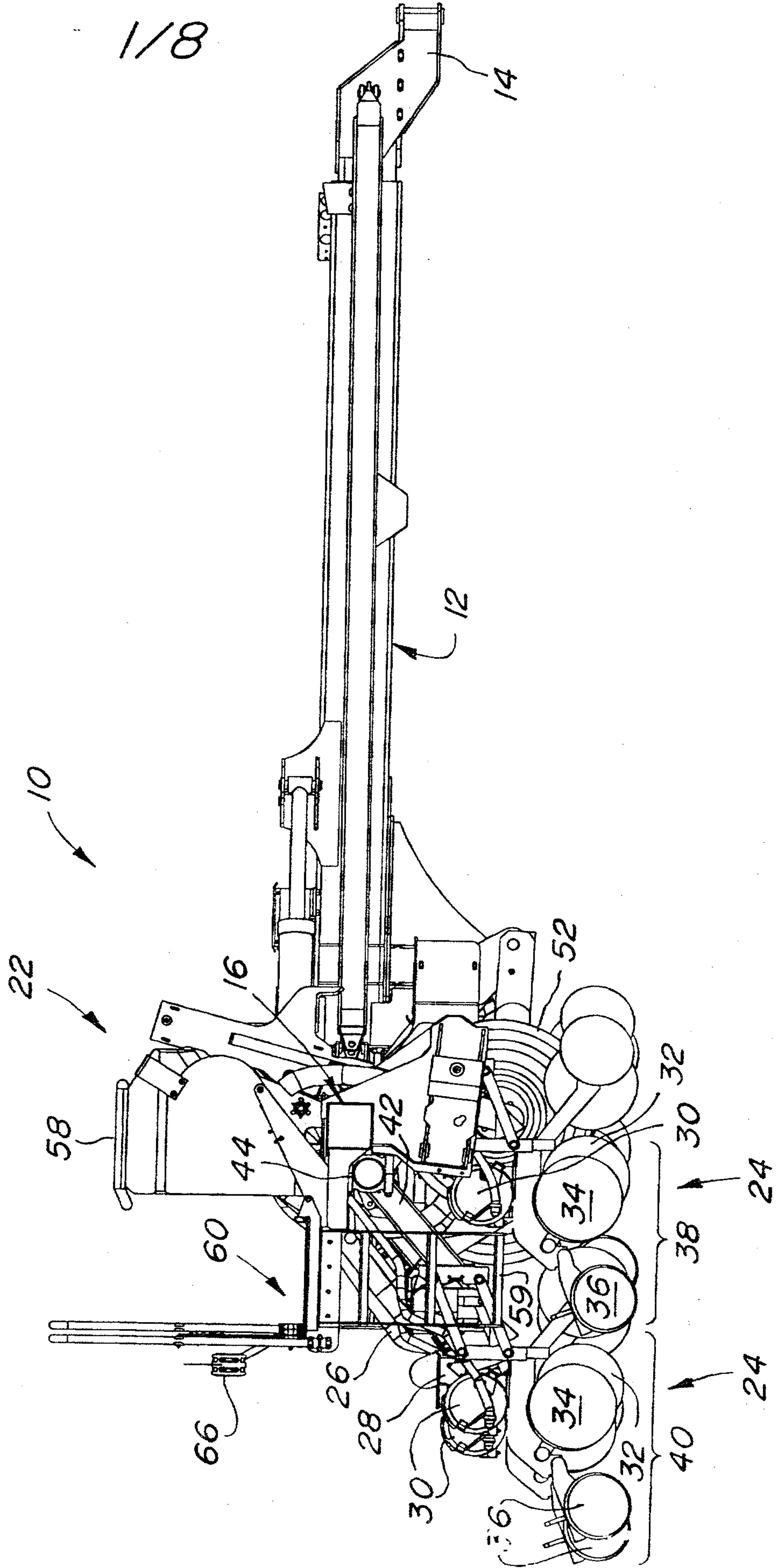
when the wing frame is folded forward to the transport configuration, the pivot arm is rotated to the longitudinal transport position wherein the planting unit is pivoted to a vertical position longitudinally inward of the working position;

wherein the pivot arm has an intermediate position between the working position and the transport position, whereby the ground engaging furrow opener is no longer in contact with the ground; and

wherein the first end of the pivot arm is pivotally coupled to the wing frame by a rock shaft having a bell crank, the rock shaft defining a first pivot axis about which the pivot arm is pivoted, a linear motor extends between the wing frame and the bell crank for rotating the rock shaft relative to the wing frame and thereby pivoting the pivot arm.

4. A seeding machine as defined by claim 3 wherein the linear motor is a hydraulic cylinder.

Fig. 1



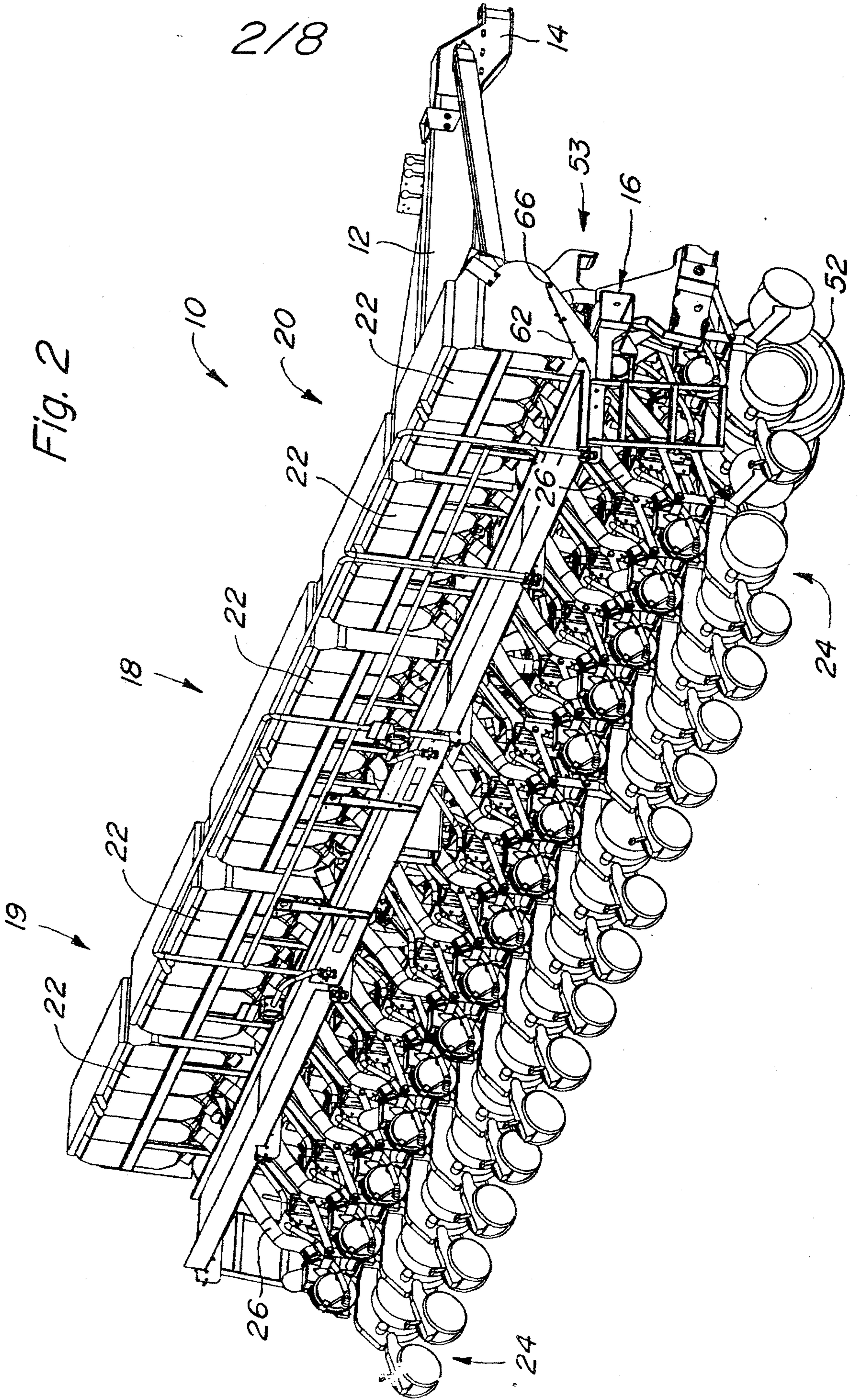
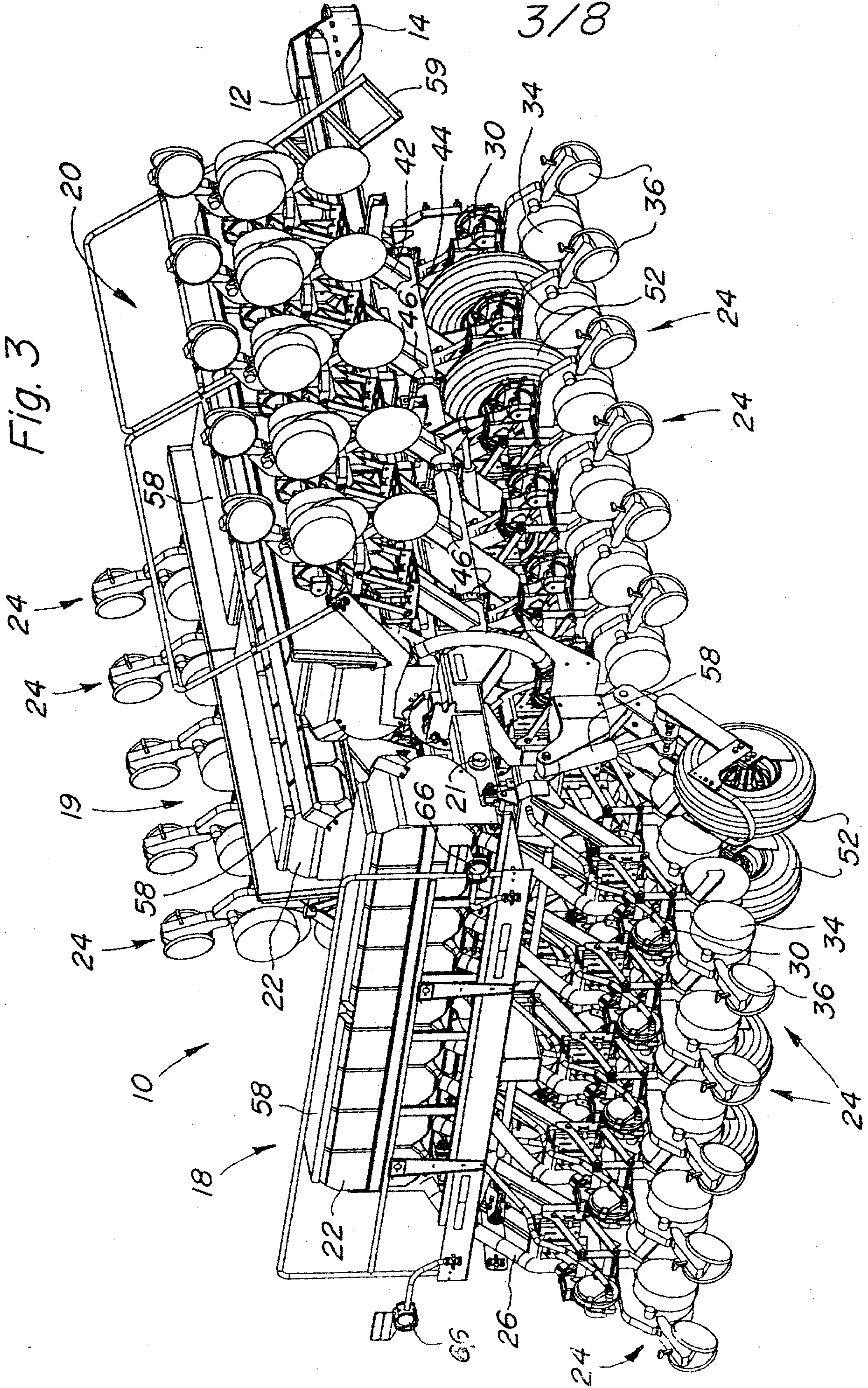


Fig. 3

3/8



4/8

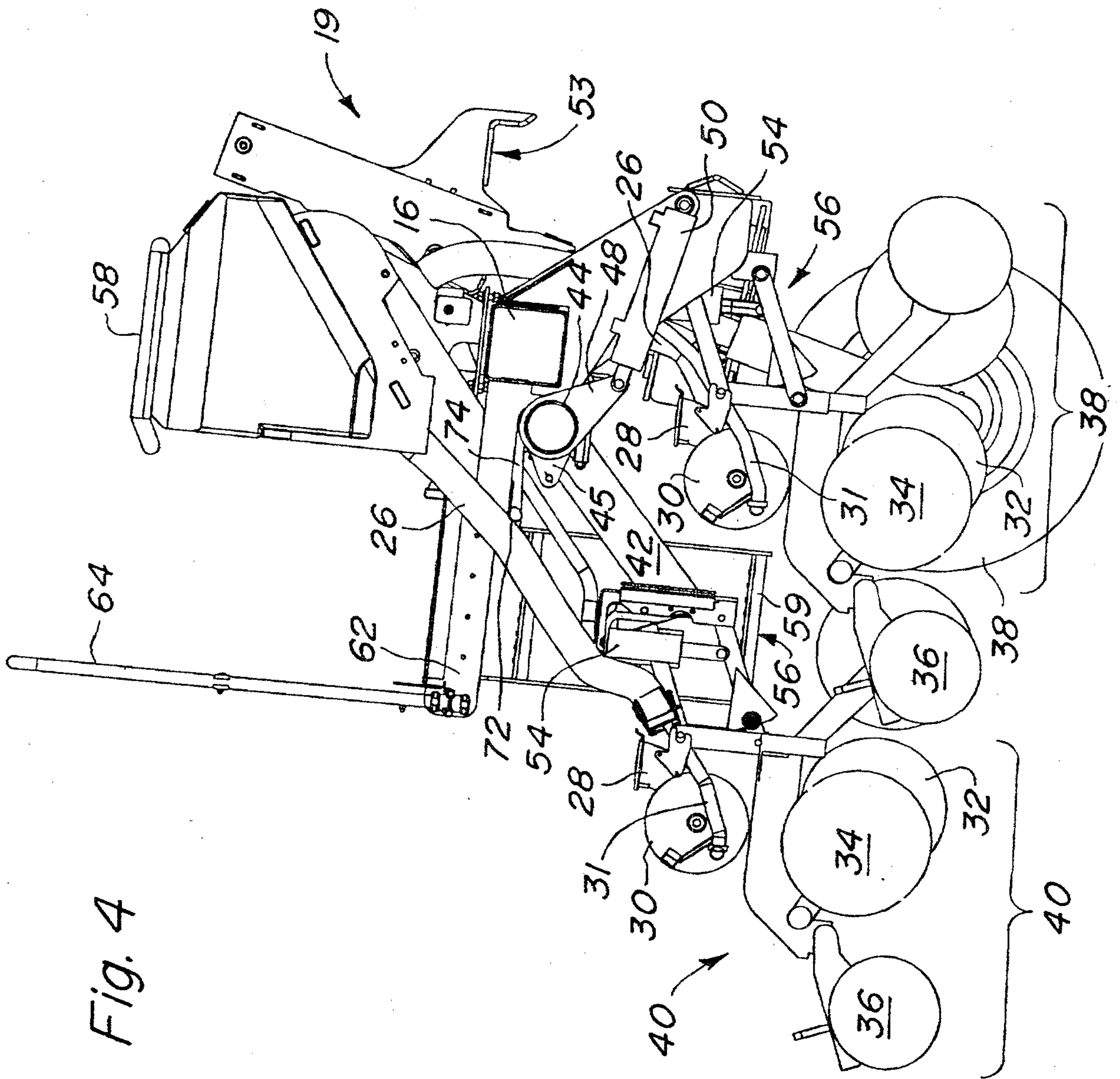
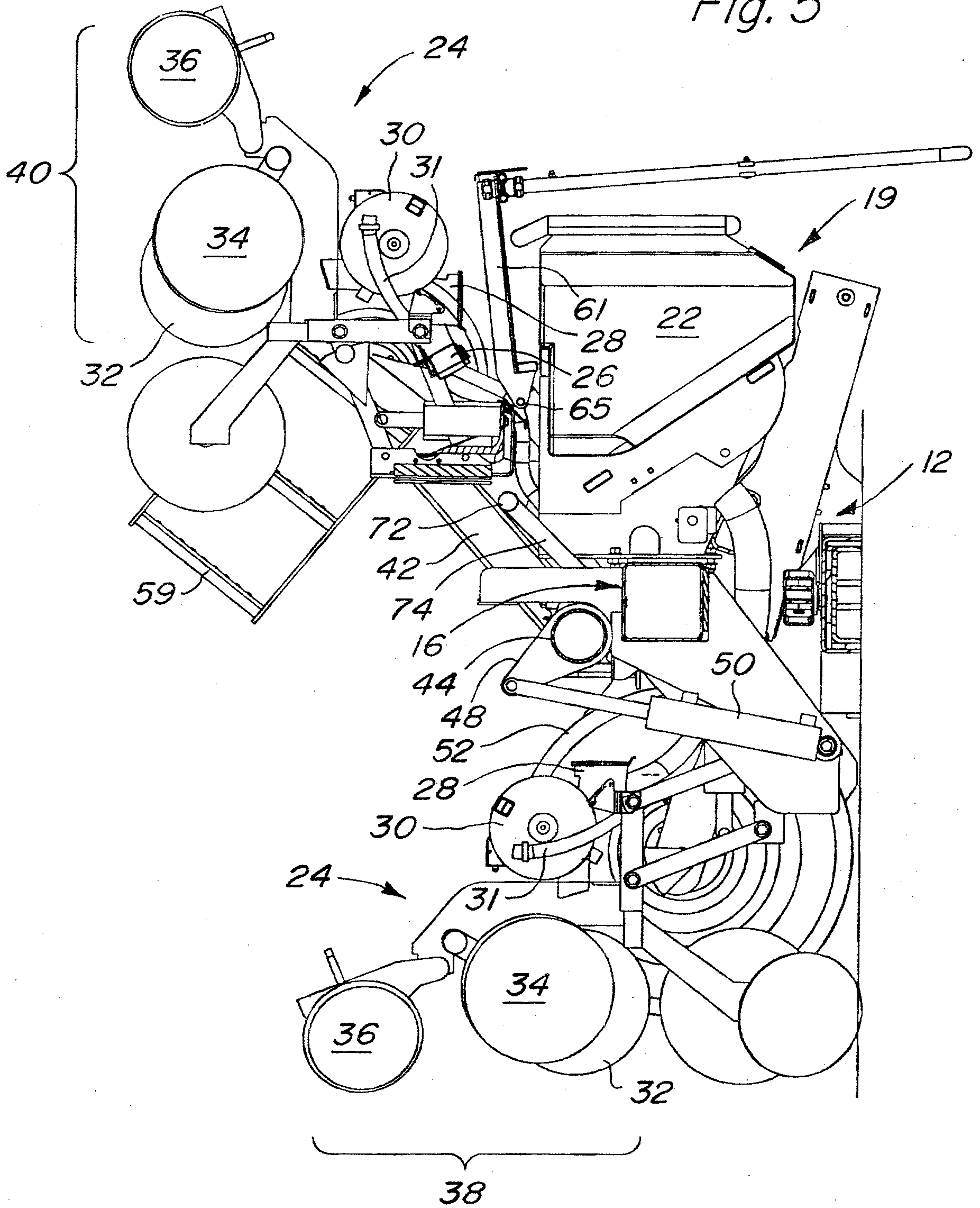


Fig. 4

5/8

Fig. 5



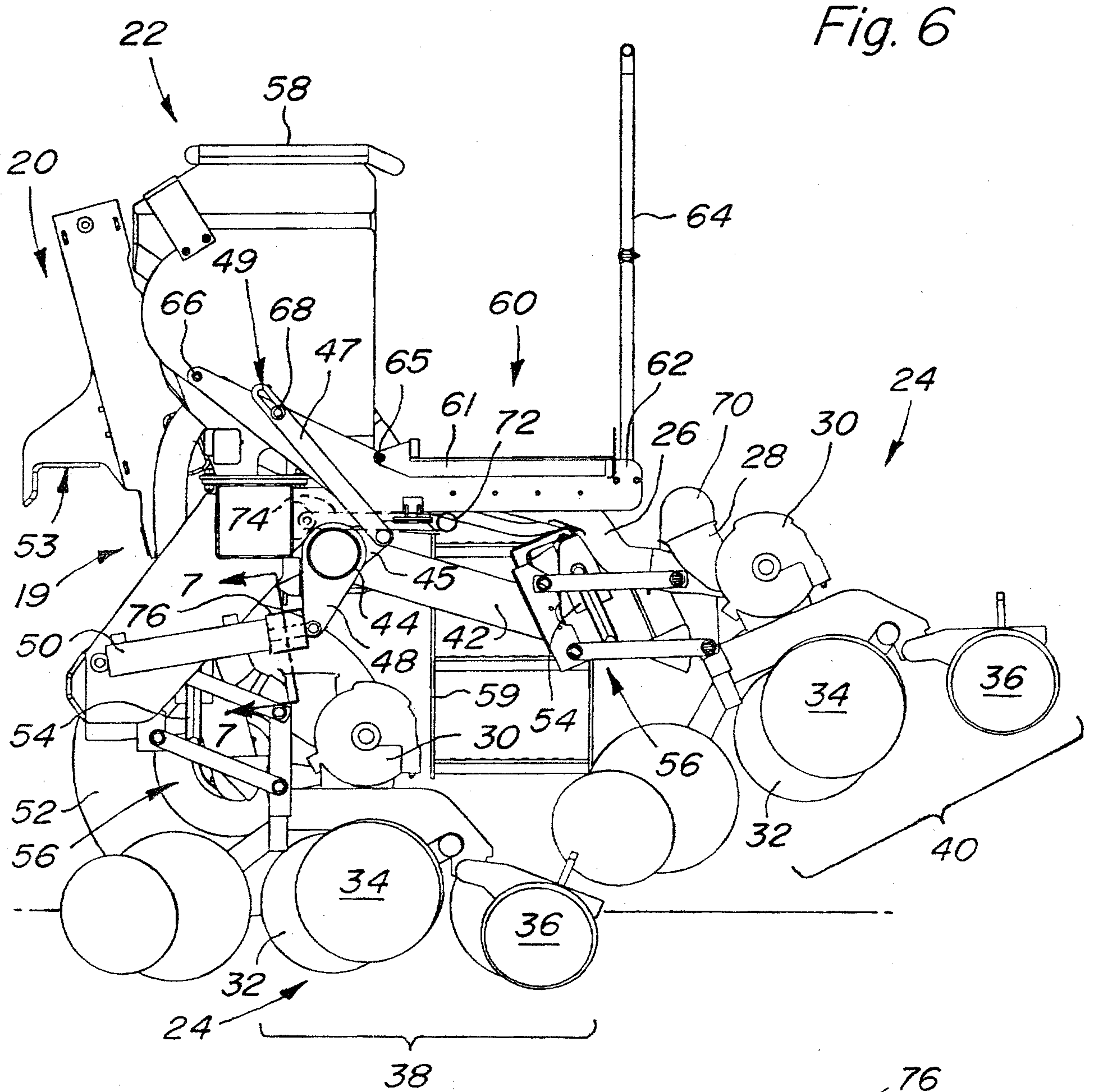


Fig. 6

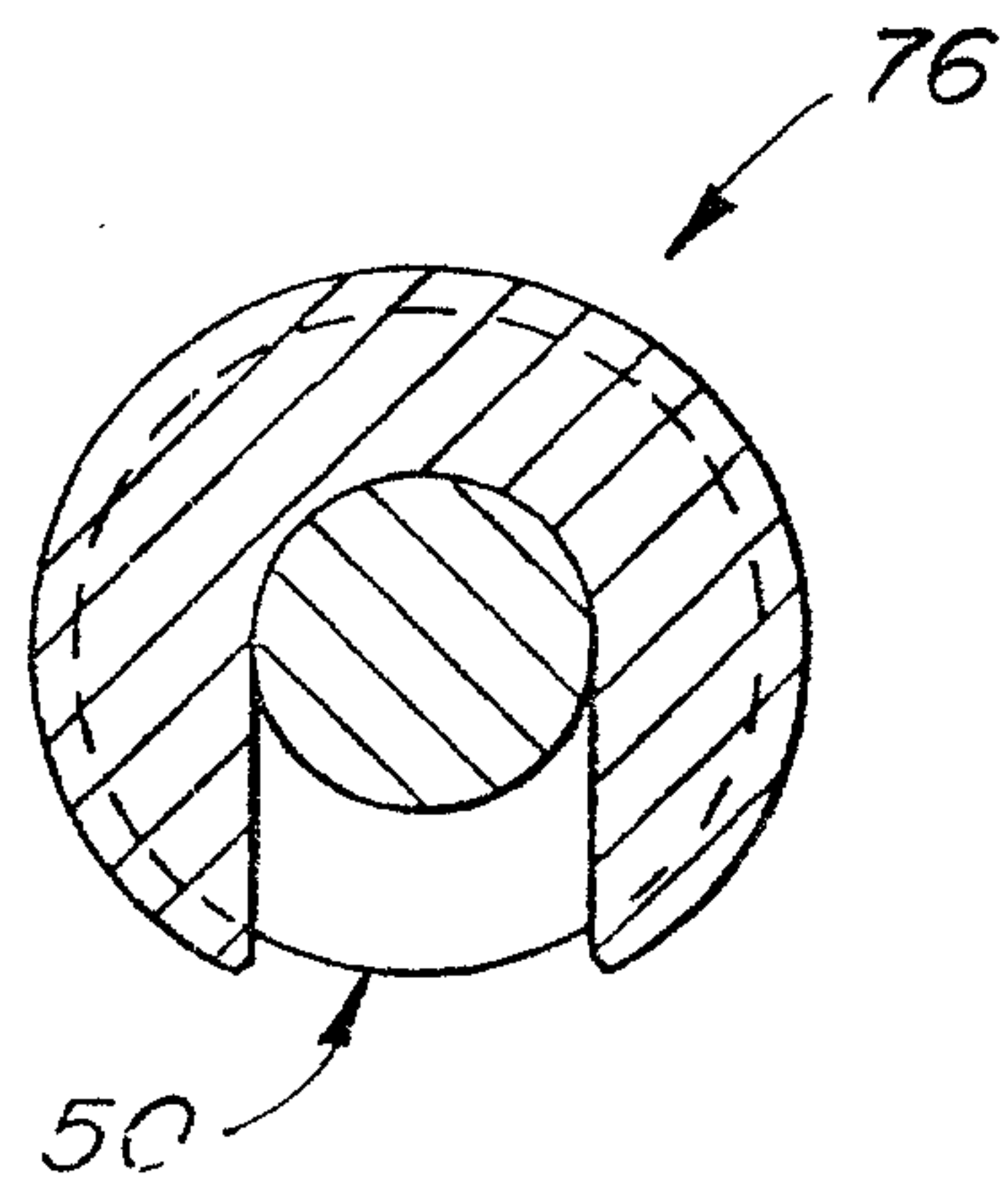


Fig. 7

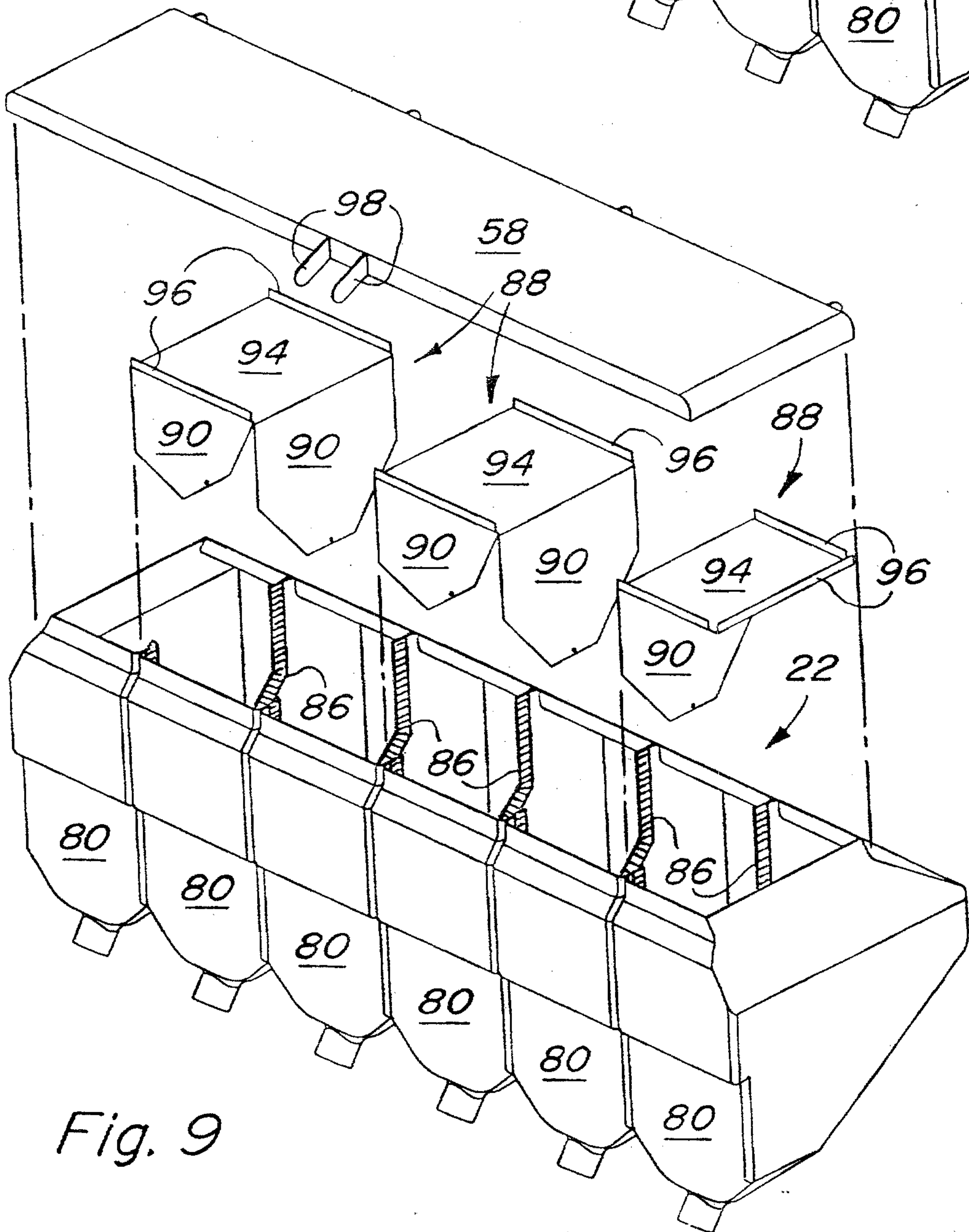
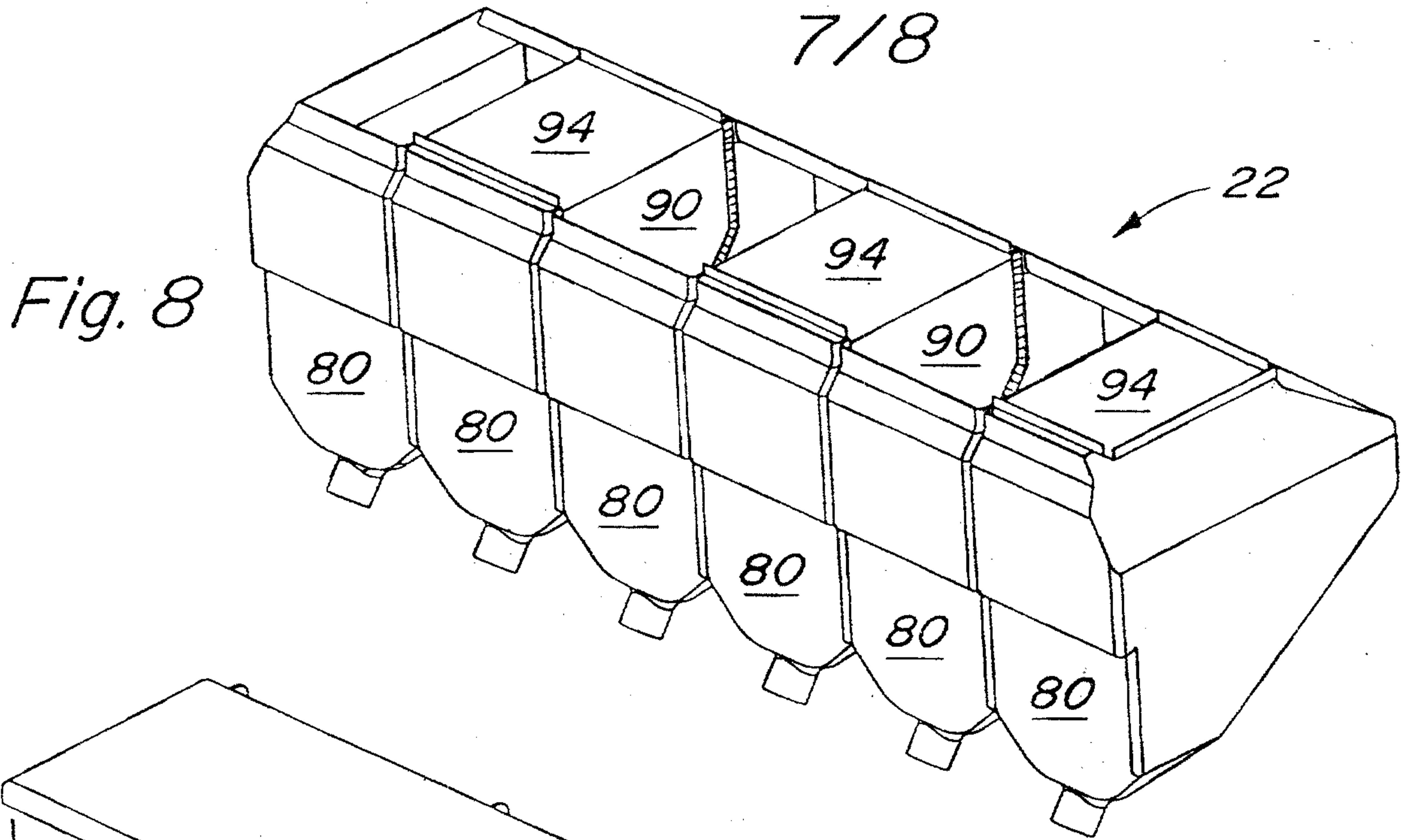


Fig. 10

