



US00D701067S

(12) **United States Design Patent**  
**Lenterman**

(10) **Patent No.:** **US D701,067 S**

(45) **Date of Patent:** **\*\* \*Mar. 18, 2014**

(54) **BAR TABLE BASE**

(71) Applicant: **Intro-Tech Automotive, Inc.**, Chino, CA (US)

(72) Inventor: **Henri B. Lenterman**, Chino Hills, CA (US)

(73) Assignee: **Intro-Tech Automotive, Inc.**, Chino, CA (US)

(\* ) Notice: This patent is subject to a terminal disclaimer.

(\*\*) Term: **14 Years**

(21) Appl. No.: **29/434,767**

(22) Filed: **Oct. 16, 2012**

(51) **LOC (10) Cl.** ..... **06-06**

(52) **U.S. Cl.**

USPC ..... **D6/708.16**; D6/708.17

(58) **Field of Classification Search**

USPC ..... D6/691.4, 692.3, 695, 695.2, 708.17, D6/366; 108/150, 151, 153.1, 155, 156, 108/157.1, 158.12, 161, 144.11, 145-147, 108/147.19; 248/188, 188.1

See application file for complete search history.

(56) **References Cited**

**U.S. PATENT DOCUMENTS**

1,482,743	A	*	2/1924	Grover	.....	248/188.7
D80,243	S	*	12/1929	Moore	.....	D6/485
D265,878	S	*	8/1982	Wistehuff	.....	D6/488
D273,729	S	*	5/1984	Pelly et al.	.....	D6/366

D333,056	S	*	2/1993	Kaye	.....	D6/495
D437,512	S	*	2/2001	Simmons	.....	D6/488
D466,727	S	*	12/2002	Abboud et al.	.....	D6/486
D488,630	S	*	4/2004	McCann	.....	D6/366
D586,155	S	*	2/2009	Lenterman	.....	D6/480
D611,262	S	*	3/2010	Grcic	.....	D6/366
8,079,644	B1	*	12/2011	Pangilinan	.....	297/461
D693,615	S	*	11/2013	Lenterman	.....	D6/708.17

\* cited by examiner

*Primary Examiner* — Janice Seeger

(74) *Attorney, Agent, or Firm* — Intellectual Property Law Offices of Joel Voelzke, APC

(57) **CLAIM**

The ornamental design of a bar table base, as shown and described.

**DESCRIPTION**

This application is related U.S. patent application Ser. Nos. 29/434,688 and 29/434,696 which are filed concurrently herewith.

FIG. 1 is an oblique view of a bar table base showing my new design;

FIG. 2 is a side elevation view thereof;

FIG. 3 is side elevation view thereof, showing the side that is opposite the side shown in FIG. 2; and

FIG. 4 is a side elevation view thereof, showing a side that is 90° from the side shown in FIG. 2;

FIG. 5 is side elevation view thereof, showing the side that is opposite the side shown in FIG. 4; and,

FIG. 6 is a top plan view thereof.

The broken line showing of the table top is included for the purpose of illustrating environmental structure and forms no part of the claimed design.

**1 Claim, 6 Drawing Sheets**

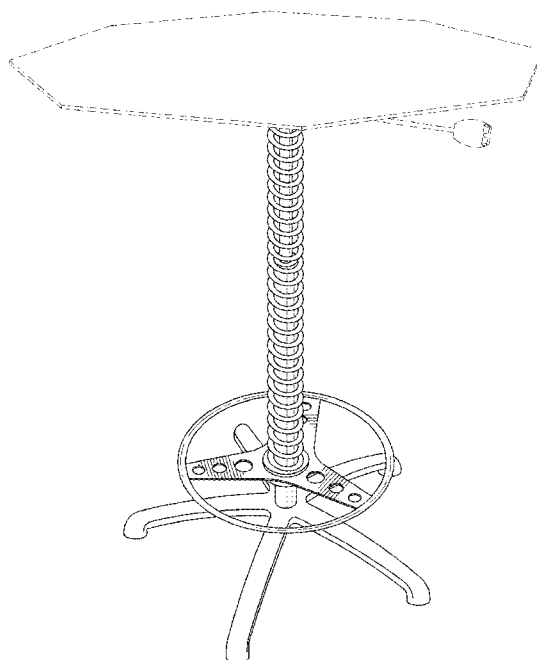


FIG. 1

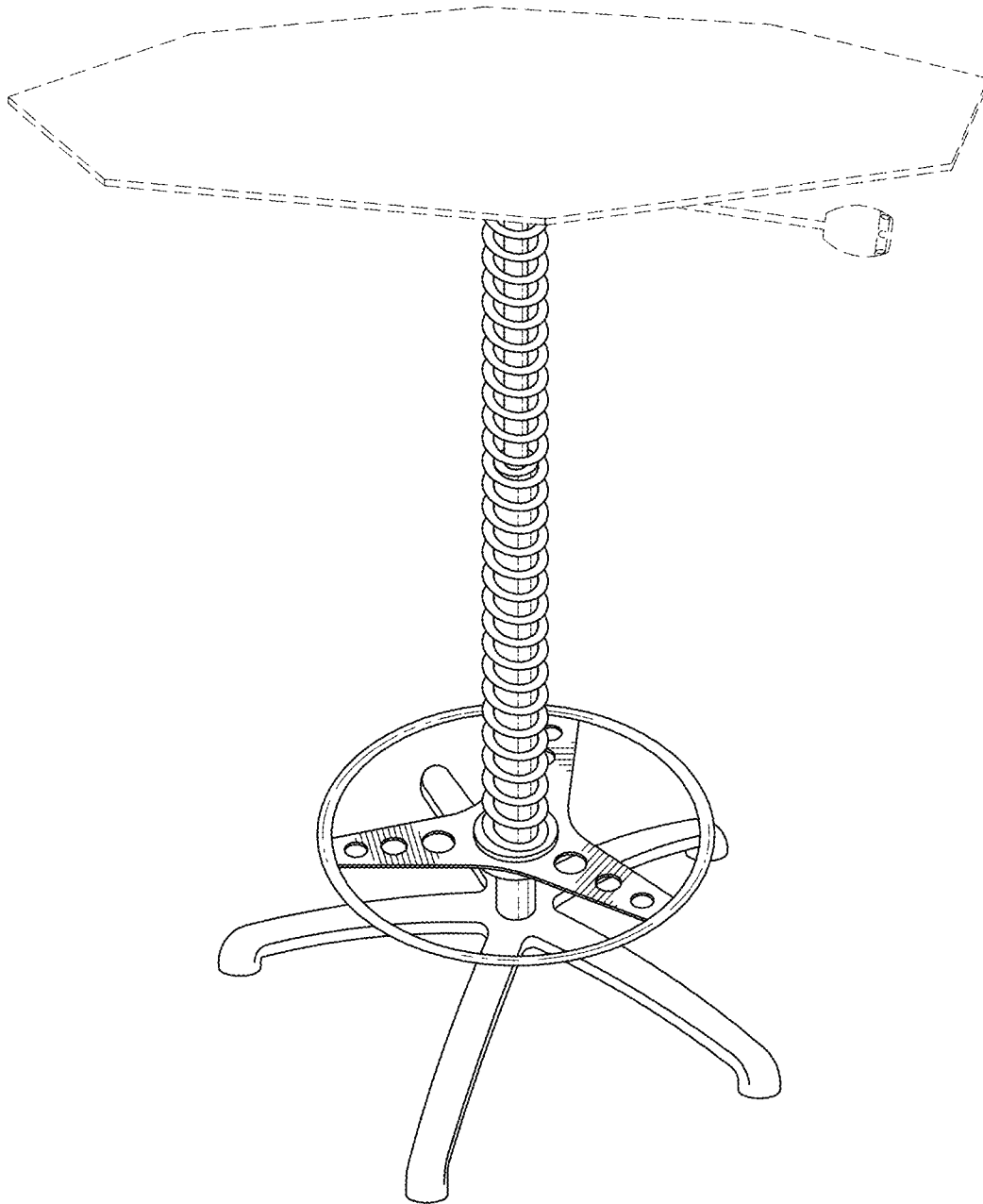


FIG. 2

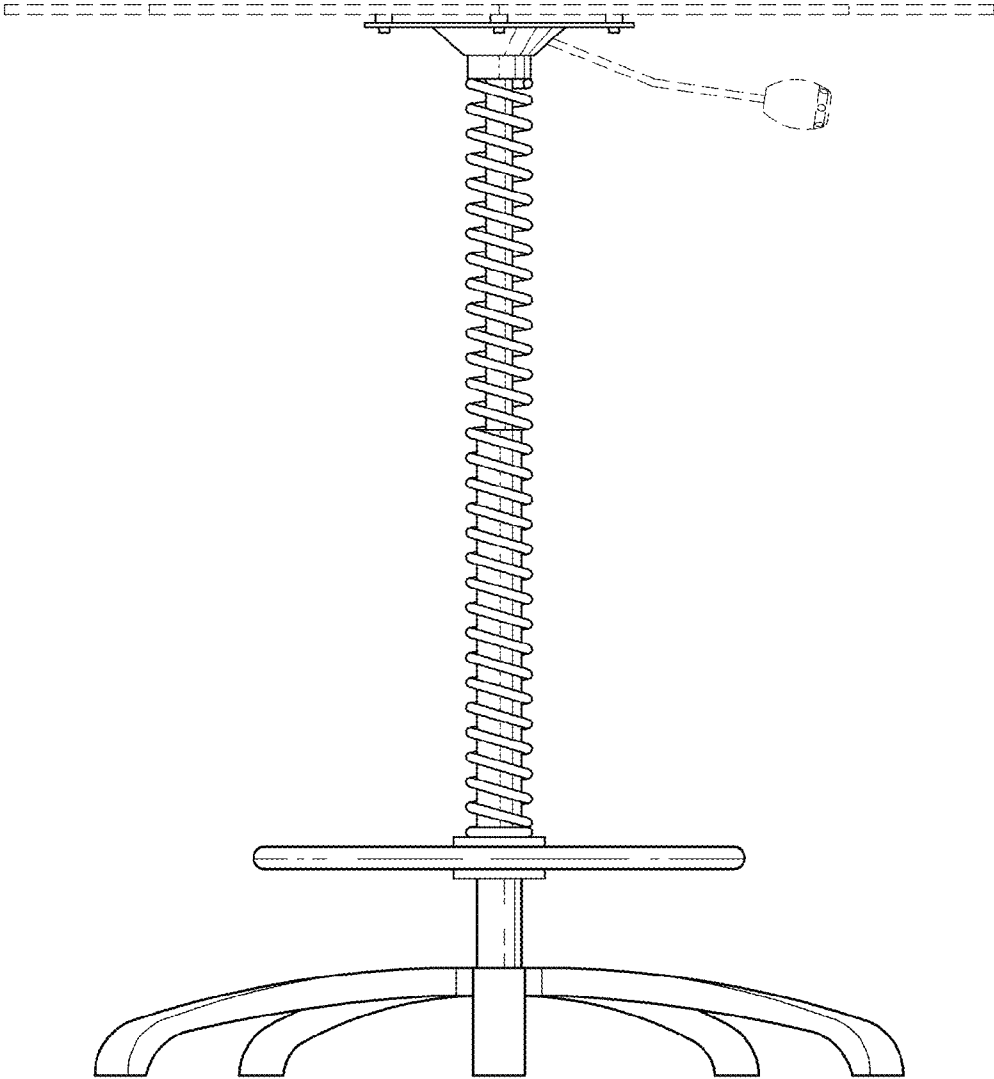


FIG. 3

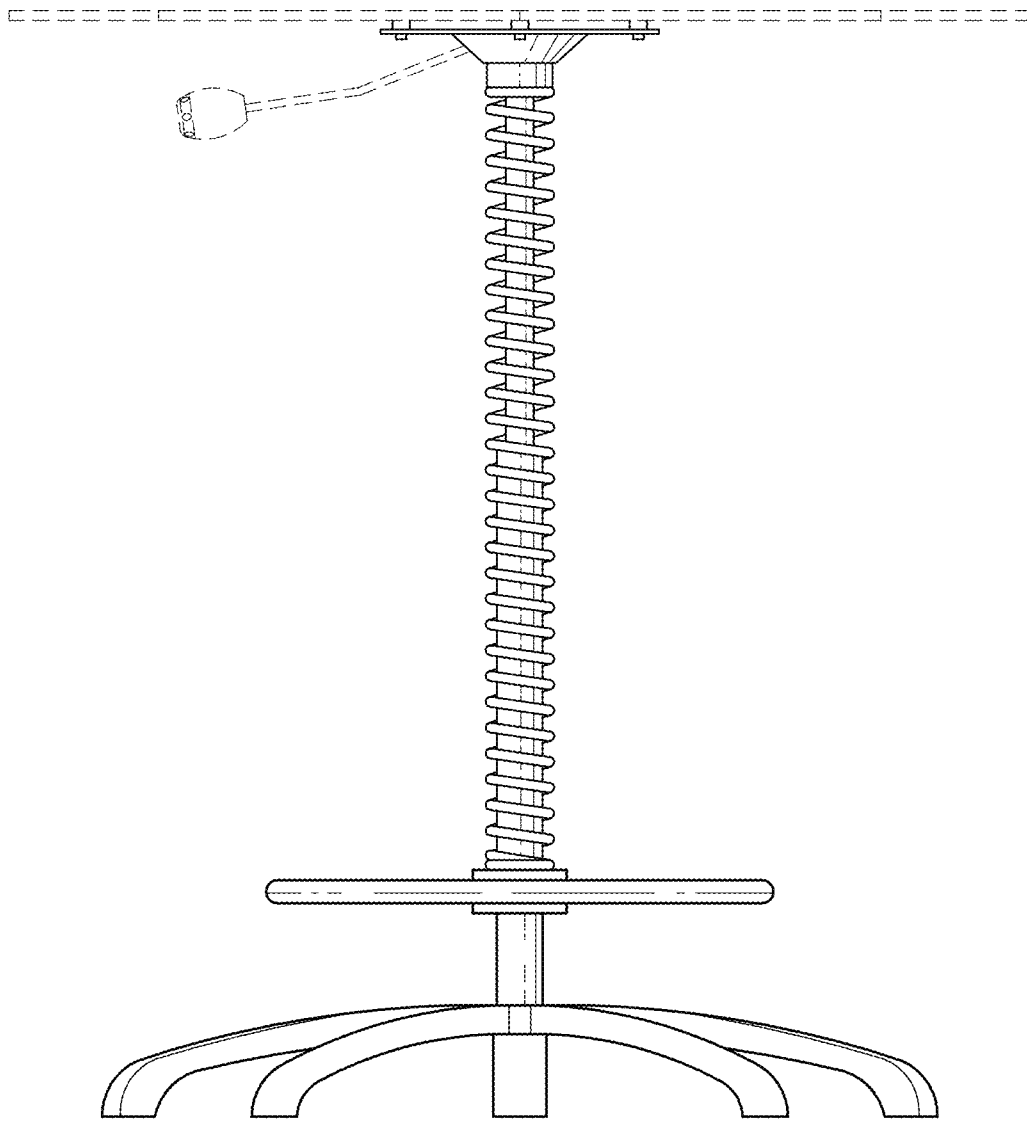


FIG. 4

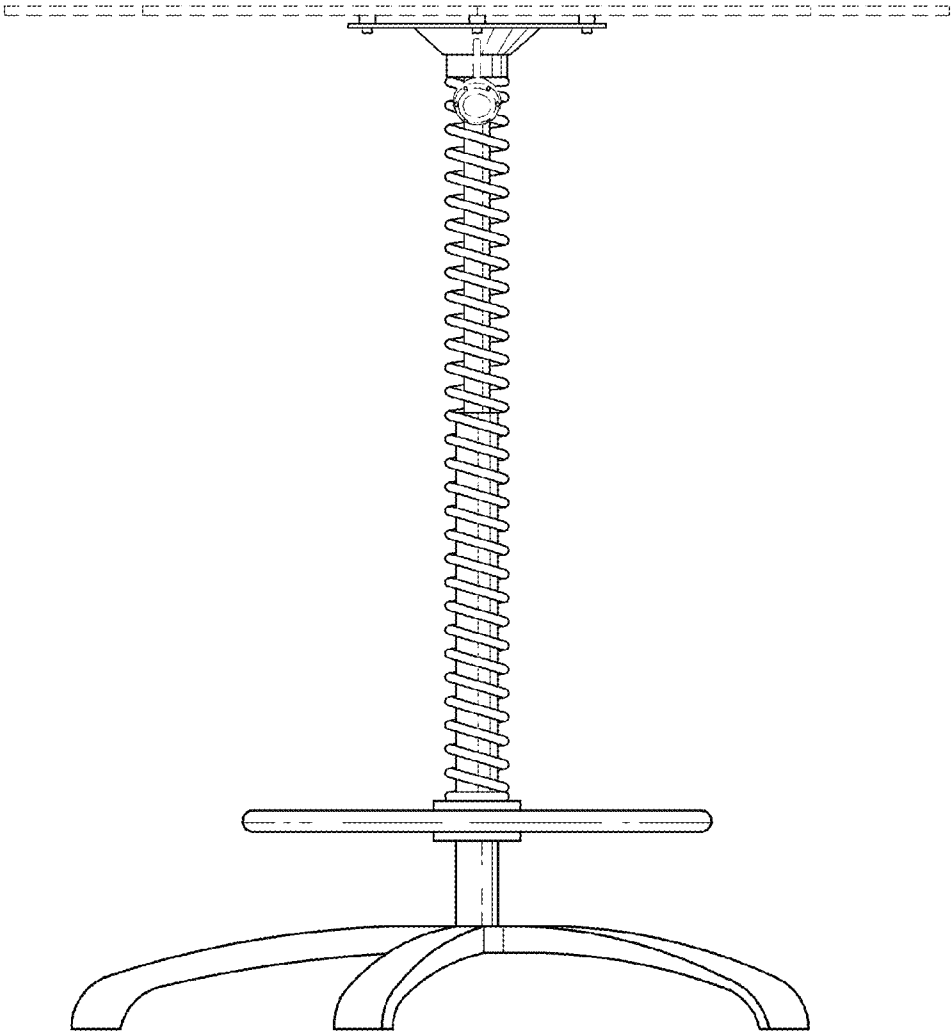
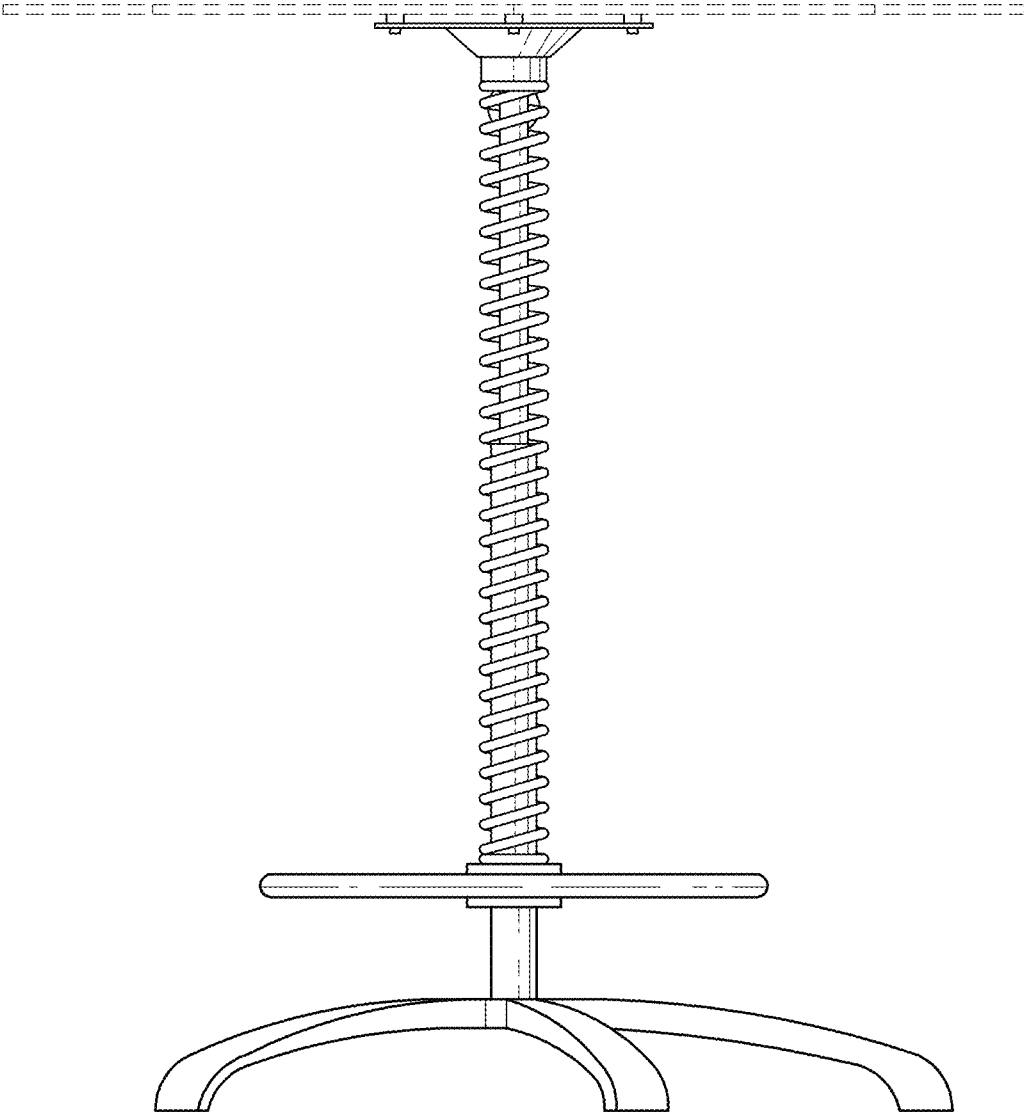


FIG. 5



*FIG. 6*

