



US00D860056S

(12) **United States Design Patent**  
**Von Holzhausen et al.**

(10) **Patent No.:** **US D860,056 S**  
(45) **Date of Patent:** **\*\* Sep. 17, 2019**

(54) **SEMI-TRUCK CAB WITH ELEVATED ROOF**

(71) Applicant: **Tesla, Inc.**, Palo Alto, CA (US)

(72) Inventors: **Franz Von Holzhausen**, Malibu, CA (US); **David Tadashi Imai**, Los Angeles, CA (US); **Randy Rodriguez**, Torrance, CA (US)

(73) Assignee: **Tesla, Inc.**, Palo Alto, CA (US)

(\*\*) Term: **15 Years**

(21) Appl. No.: **29/657,064**

(22) Filed: **Jul. 18, 2018**

**Related U.S. Application Data**

(63) Continuation of application No. 29/619,047, filed on Sep. 26, 2017, now Pat. No. Des. 825,392.

(51) **LOC (12) Cl.** ..... **12-16**

(52) **U.S. Cl.** ..... **D12/96**  
USPC ..... **D12/96**

(58) **Field of Classification Search**  
USPC ..... D12/166, 167, 169, 171, 172, 181, 183, D12/190, 196, 216  
CPC ..... B60R 1/06; B62D 25/10; B62D 25/16; B62D 25/168  
See application file for complete search history.

(56) **References Cited**

**U.S. PATENT DOCUMENTS**

D291,982 S *	9/1987	Simons	.....	D12/96
D312,805 S *	12/1990	Marlowe	.....	D12/96
D313,966 S *	1/1991	Marlowe	.....	D12/181
5,499,690 A *	3/1996	Shearn	.....	B60K 11/04
				180/68.4
5,576,899 A *	11/1996	Englander	.....	B60R 1/06
				248/475.1
5,826,672 A *	10/1998	Holter	.....	B62D 25/10
				180/69.21

5,947,520 A *	9/1999	McHorse	.....	B62D 35/001
				280/154
D424,495 S *	5/2000	Damon	.....	D12/196
D431,806 S *	10/2000	Damon	.....	D12/196
6,230,832 B1 *	5/2001	von Mayenburg	....	B60K 11/08
				180/68.1
D460,023 S *	7/2002	Beigel	.....	D12/96
6,454,035 B1 *	9/2002	Waskow	.....	B62D 33/067
				180/69.21
6,644,720 B2 *	11/2003	Long	.....	B62D 25/168
				296/180.4
D491,851 S *	6/2004	Perfetti	.....	D12/181
6,883,860 B1 *	4/2005	Budge	.....	B62D 33/0612
				296/190.02
D535,597 S *	1/2007	Herpel	.....	D12/181
7,195,307 B2 *	3/2007	Tucker	.....	B62D 25/10
				16/225
D634,244 S *	3/2011	Aris	.....	D12/96
D650,722 S *	12/2011	Marchi	.....	D12/93
D651,136 S *	12/2011	Stimel, Jr.	.....	D12/96

(Continued)

*Primary Examiner* — Susan Bennett Hattan

*Assistant Examiner* — Suzanne E Tisdell

(74) *Attorney, Agent, or Firm* — Haynes and Boone, LLP

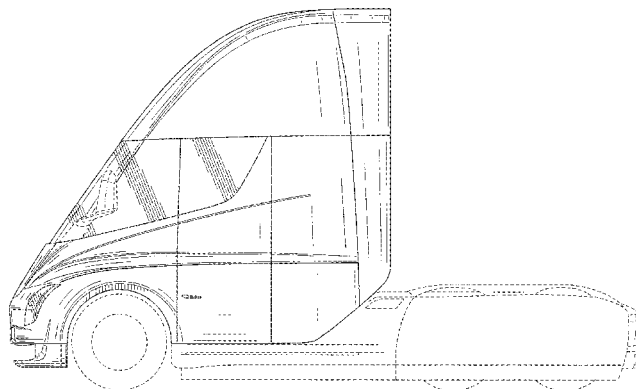
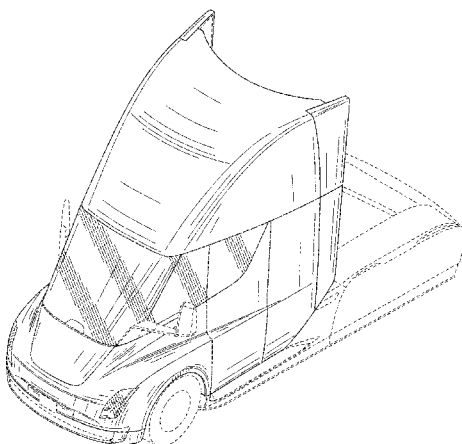
(57) **CLAIM**

The ornamental design for a semi-truck cab, as shown and described.

**DESCRIPTION**

FIG. 1 is a front perspective view of a semi-truck cab.  
FIG. 2 is a front view of the semi-truck cab of FIG. 1.  
FIG. 3 is a rear view of the semi-truck cab of FIG. 1.  
FIG. 4 is a left-side view of the semi-truck cab of FIG. 1.  
FIG. 5 is a right-side view of the semi-truck cab of FIG. 1; and,  
FIG. 6 is a top view of the semi-truck cab of FIG. 1.  
The items shown with broken lines form no part of the claimed design.

**1 Claim, 6 Drawing Sheets**



(56)

References Cited

U.S. PATENT DOCUMENTS

8,226,158	B1 *	7/2012	Jackson	.....	B62D 25/168	D799,380	S *	10/2017	Cosme	.....	D12/96
					280/160	D805,981	S *	12/2017	Conway	.....	D12/196
8,528,936	B2 *	9/2013	Johnson	.....	B62D 25/18	D809,985	S *	2/2018	Milton	.....	D12/196
					180/271	D812,535	S *	3/2018	Milton	.....	D12/181
D707,608	S *	6/2014	Smith	.....	D12/181	D813,772	S *	3/2018	Anderson	.....	D12/196
8,800,703	B2 *	8/2014	Miller	.....	B62D 25/10	D814,357	S	4/2018	Milton et al.		
					180/69.2	D814,376	S *	4/2018	Anderson	.....	D12/196
8,960,769	B2 *	2/2015	He	.....	B62D 35/001	D816,004	S *	4/2018	Milton	.....	D12/196
					296/180.2	D824,289	S *	7/2018	Lokers	.....	D12/96
D758,253	S *	6/2016	Brzustowicz	.....	D12/96	D825,391	S *	8/2018	Von Holzhausen	.....	D12/96
D760,633	S *	7/2016	Peltola	.....	D12/181	D825,392	S *	8/2018	Von Holzhausen	.....	D12/96
D772,127	S *	11/2016	Heilaneh	.....	D12/181	D826,816	S *	8/2018	Lokers	.....	D12/196
D773,360	S *	12/2016	Heilaneh	.....	D12/181	D827,498	S *	9/2018	Anderson	.....	D12/96
D782,381	S *	3/2017	Conway	.....	D12/196	D828,226	S *	9/2018	Cotner	.....	D12/96
D782,947	S *	4/2017	Sausaman	.....	D12/181	2003/0072094	A1 *	4/2003	Englander	.....	B60R 1/0605
9,643,658	B2 *	5/2017	Jaynes	.....	B62D 25/168						359/871
D788,667	S *	6/2017	Dempsey	.....	D12/183	2003/0146648	A1 *	8/2003	Lustig	.....	B62D 25/10
											296/190.11
						2005/0028722	A1 *	2/2005	Arntz	.....	G09F 17/00
											116/173

\* cited by examiner

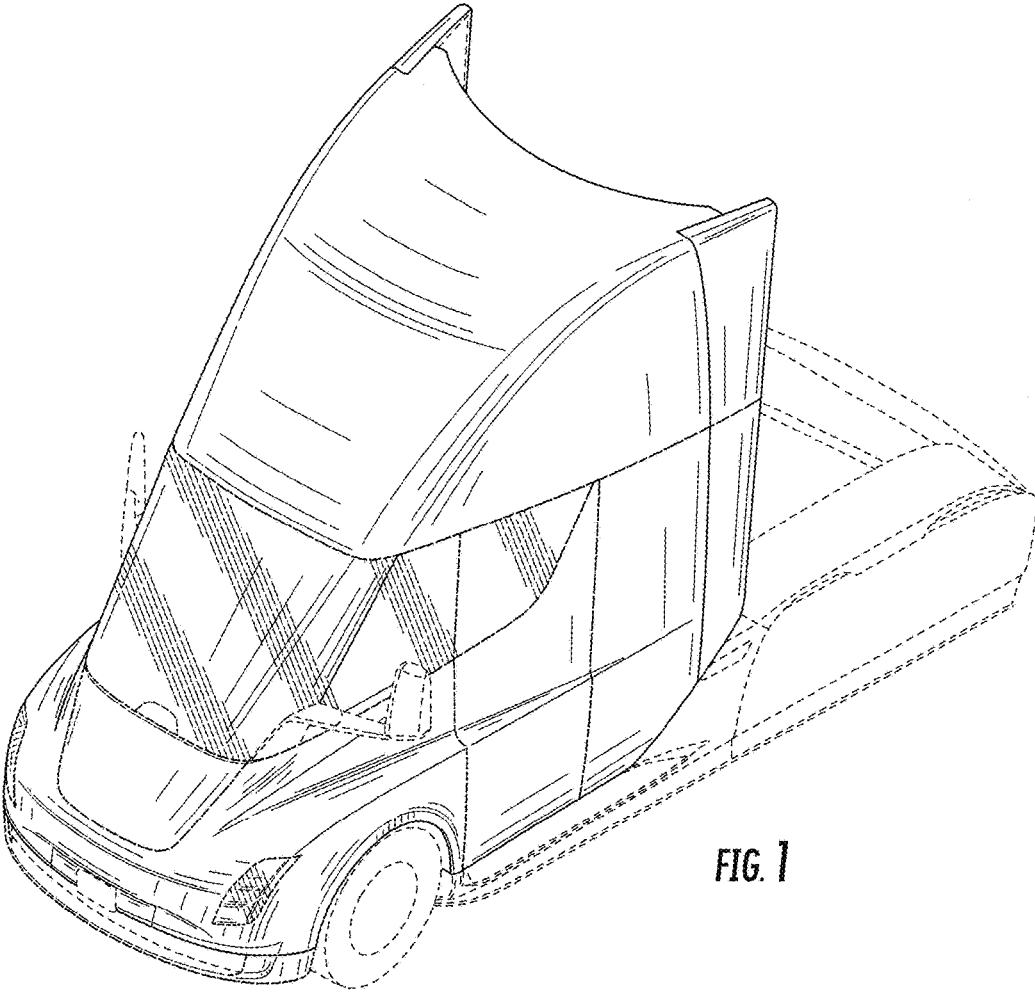


FIG. 1

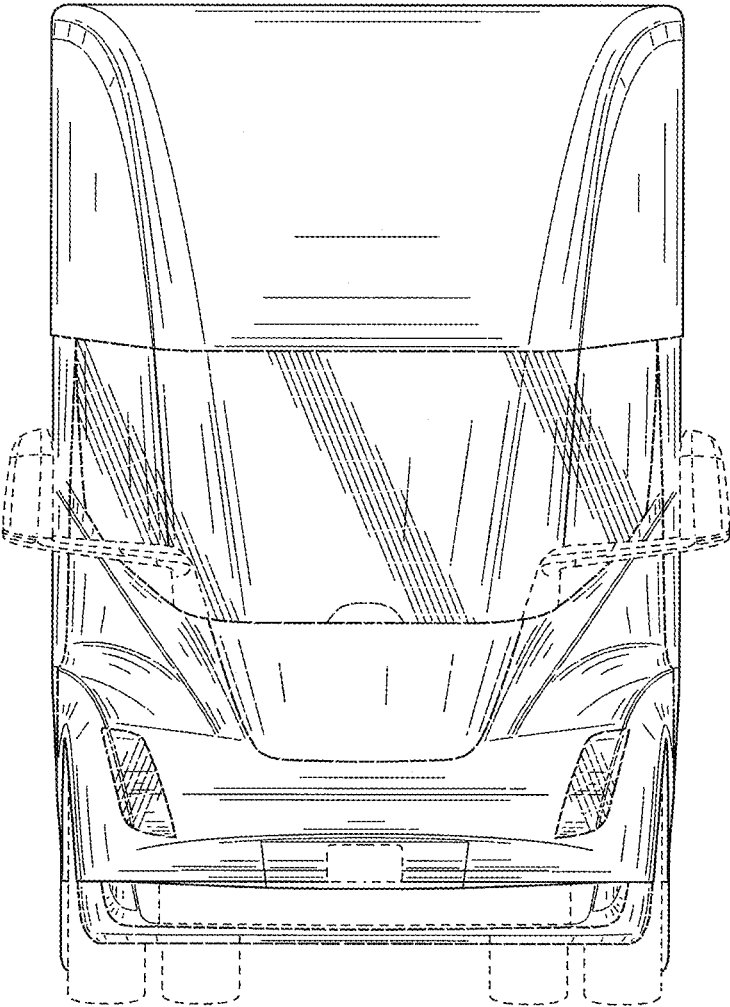


FIG. 2

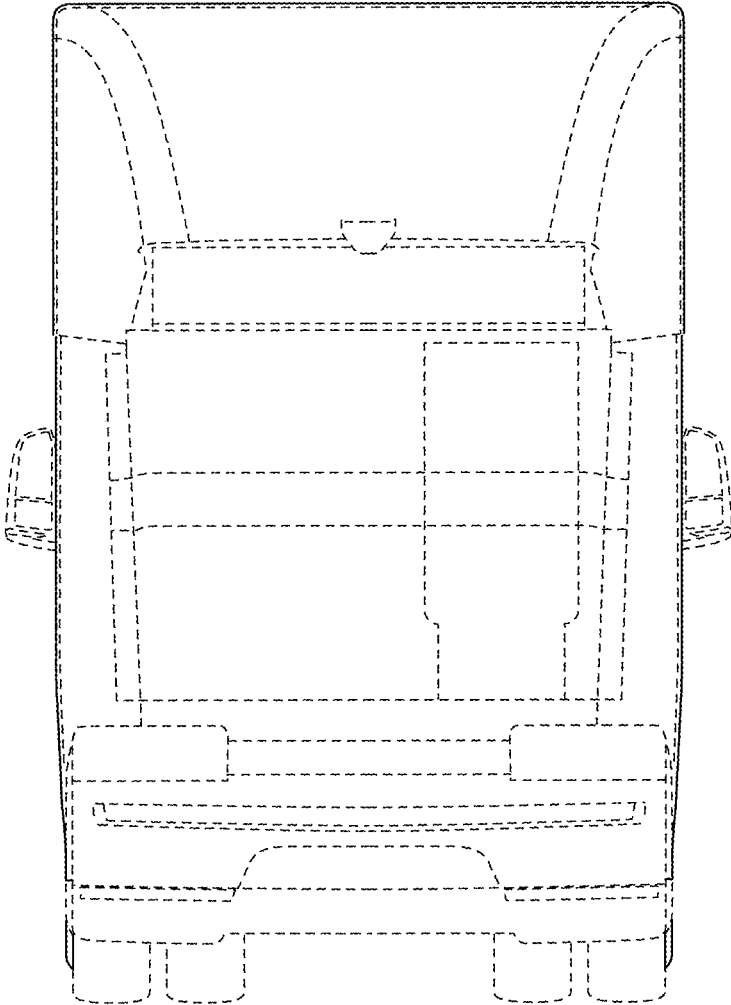


FIG. 3

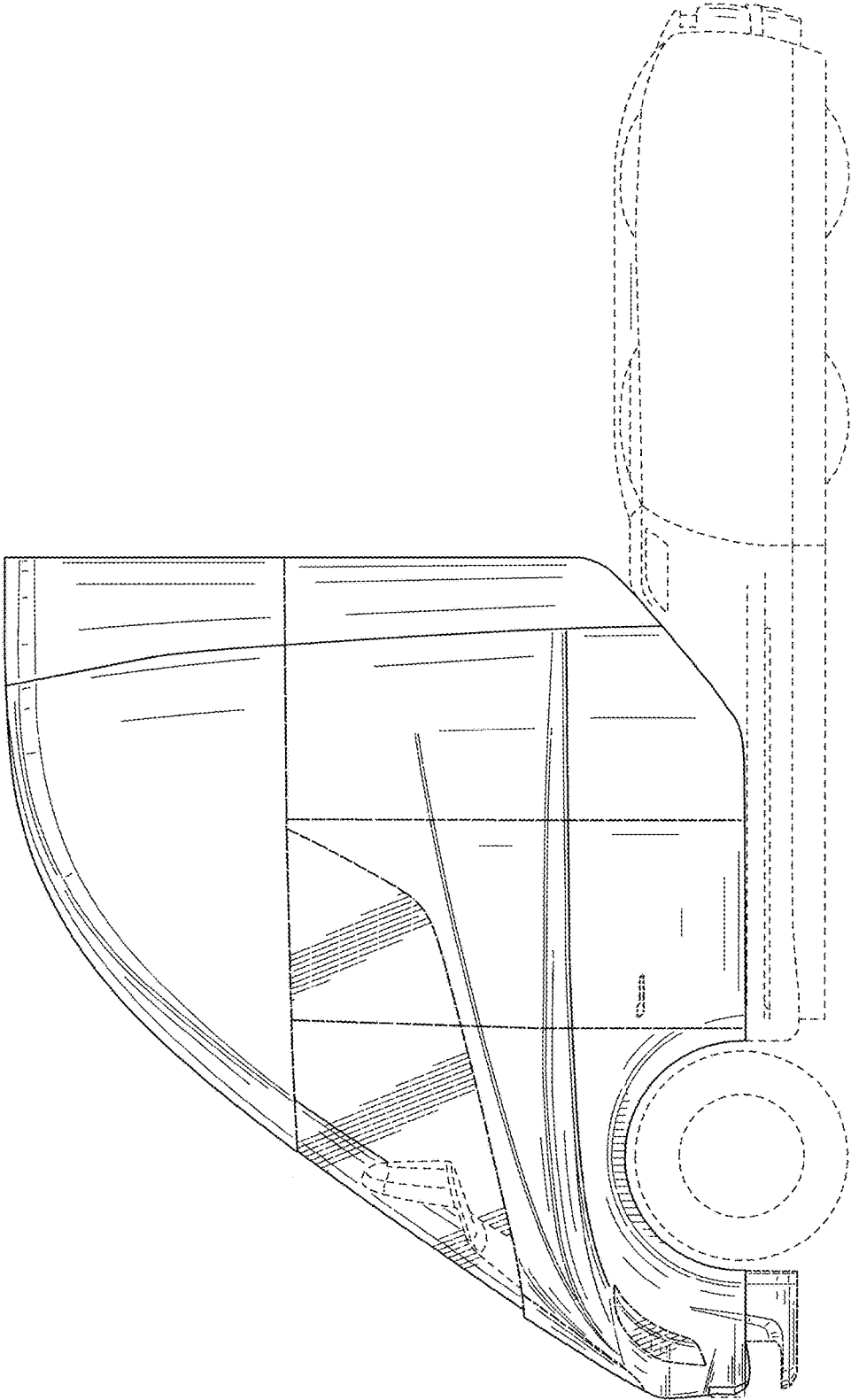


FIG. 4

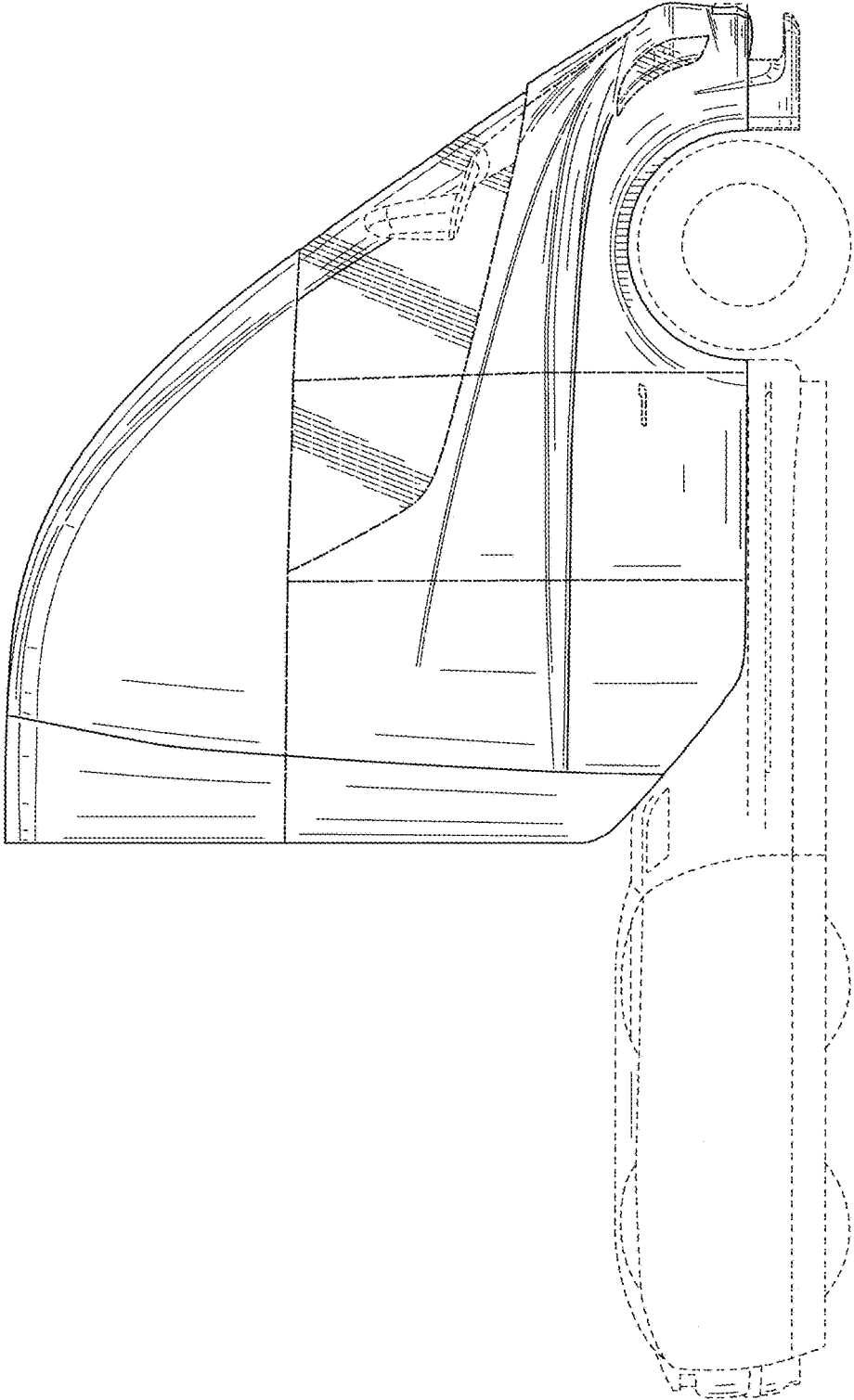


FIG. 5

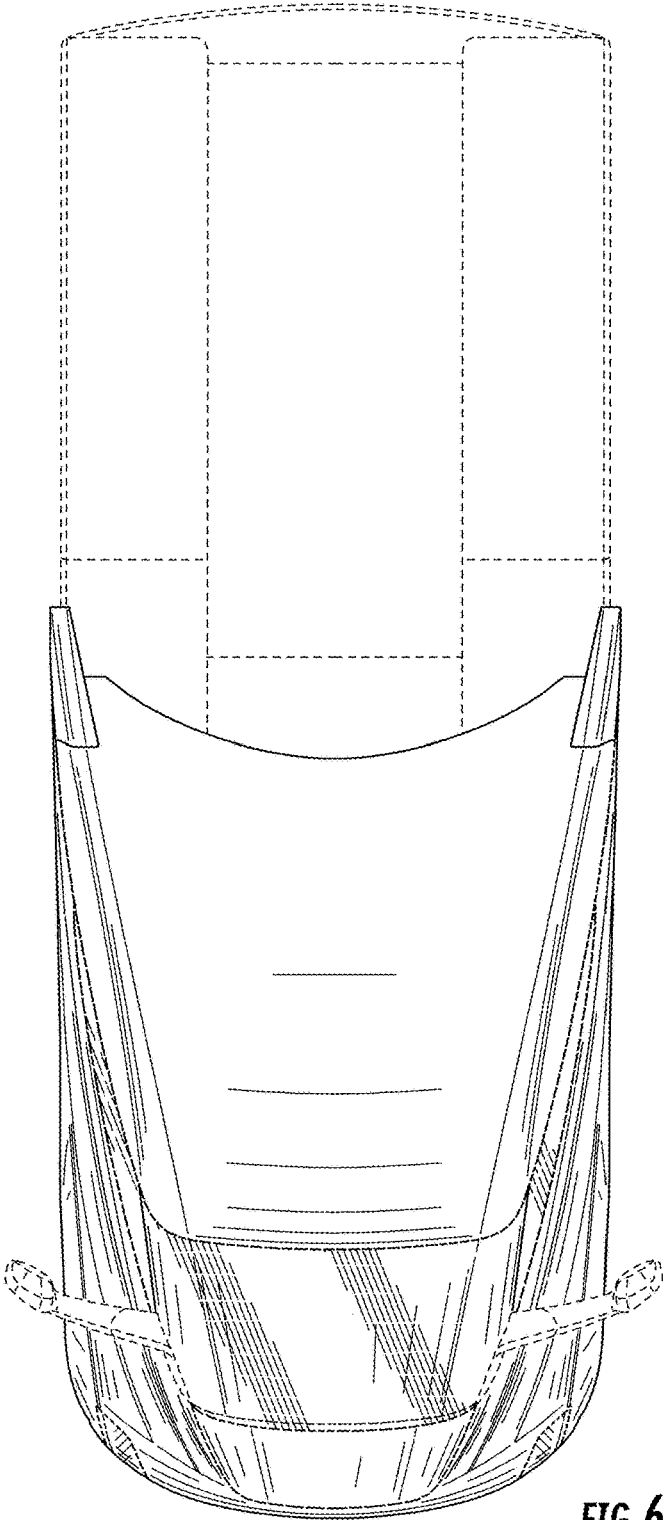


FIG. 6