

(19) World Intellectual Property Organization
International Bureau



(43) International Publication Date
27 November 2008 (27.11.2008)

PCT

(10) International Publication Number
WO 2008/143784 A3

(51) International Patent Classification:
E21B 34/08 (2006.01) *E21B 43/12* (2006.01)
E21B 43/08 (2006.01)

(21) International Application Number:
PCT/US2008/005846

(22) International Filing Date: 7 May 2008 (07.05.2008)

(25) Filing Language: English

(26) Publication Language: English

(30) Priority Data:
11/803,835 16 May 2007 (16.05.2007) US

(71) Applicant (for all designated States except US): **HAL-LIBURTON ENERGY SERVICES, INC.** [US/US];
2601 Belt Line Road, Carrollton, TX 75006 (US).

(72) Inventors; and

(75) Inventors/Applicants (for US only): **RICHARDS, William, Mark** [US/US]; 6208 Plantation Lane, Frisco, TX 75035 (US). **HAILEY, Travis, Thomas** [US/US]; 3902 Lyndhurst Place, Sugar Land, TX 77479-3201 (US).

(74) Agent: **YOUST, Lawrence, R.**; PATTON BOGGS LLP, 2001 Ross Ave., Suite 3000, Dallas, TX 75201 (US).

(81) Designated States (unless otherwise indicated, for every kind of national protection available): AE, AG, AL, AM, AO, AT, AU, AZ, BA, BB, BG, BH, BR, BW, BY, BZ, CA, CH, CN, CO, CR, CU, CZ, DE, DK, DM, DO, DZ, EC, EE, EG, ES, FI, GB, GD, GE, GH, GM, GT, HN, HR, HU, ID, IL, IN, IS, JP, KE, KG, KM, KN, KP, KR, KZ, LA, LC, LK, LR, LS, LT, LU, LY, MA, MD, ME, MG, MK, MN, MW, MX, MY, MZ, NA, NG, NI, NO, NZ, OM, PG, PH, PL, PT, RO, RS, RU, SC, SD, SE, SG, SK, SL, SM, SV, SY, TJ, TM, TN, TR, TT, TZ, UA, UG, US, UZ, VC, VN, ZA, ZM, ZW.

(84) Designated States (unless otherwise indicated, for every kind of regional protection available): ARIPO (BW, GH, GM, KE, LS, MW, MZ, NA, SD, SL, SZ, TZ, UG, ZM, ZW), Eurasian (AM, AZ, BY, KG, KZ, MD, RU, TJ, TM), European (AT, BE, BG, CH, CY, CZ, DE, DK, EE, ES, FI, FR, GB, GR, HR, HU, IE, IS, IT, LT, LU, LV, MC, MT, NL, NO, PL, PT, RO, SE, SI, SK, TR), OAPI (BF, BJ, CF, CG, CI, CM, GA, GN, GQ, GW, ML, MR, NE, SN, TD, TG).

Published:
— with international search report
— before the expiration of the time limit for amending the claims and to be republished in the event of receipt of amendments

(88) Date of publication of the international search report:
15 January 2009

(54) Title: APPARATUS FOR AUTONOMOUSLY CONTROLLING THE INFLOW OF PRODUCTION FLUIDS FROM A SUBTERRANEAN WELL

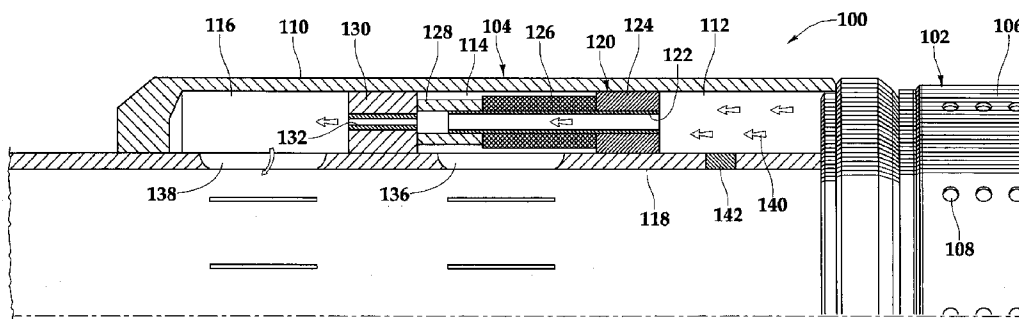


Fig.2B

(57) Abstract: A flow control apparatus (100) for controlling the inflow of production fluids (134, 140) from a subterranean well includes a tubular member (118) having at least one opening (138) that allows fluid flow between an exterior of the tubular member (118) and an interior flow path of the tubular member (118) and a flow restricting device (120) operably positioned in a fluid flow path between a fluid source and the at least one opening (138). The flow restricting device (120) includes a valve (128, 130) and an actuator (126). The actuator (126) includes a material that swells in response to contact with an undesired fluid (140), such as water or gas. The flow restricting device (120) is operable to autonomously reduce the fluid flow through the flow control apparatus (100) in response to contact between the material and the undesired fluid (140).



WO 2008/143784 A3

INTERNATIONAL SEARCH REPORT

International application No
PCT/US2008/005846

A. CLASSIFICATION OF SUBJECT MATTER
INV. E21B34/08 E21B43/08 E21B43/12

According to International Patent Classification (IPC) or to both national classification and IPC

B. FIELDS SEARCHED

Minimum documentation searched (classification system followed by classification symbols)
E21B

Documentation searched other than minimum documentation to the extent that such documents are included in the fields searched

Electronic data base consulted during the international search (name of data base and, where practical, search terms used)

EPO-Internal, TULSA

C. DOCUMENTS CONSIDERED TO BE RELEVANT

Category*	Citation of document, with indication, where appropriate, of the relevant passages	Relevant to claim No.
X	US 2006/175065 A1 (ROSS DONALD W [US]) 10 August 2006 (2006-08-10) paragraph [0036]; figures 1-10	1-5, 11-15, 21,22
X	US 2005/252651 A1 (BOSMA MARTIN G R [NL] ET AL) 17 November 2005 (2005-11-17) paragraphs [0018], [0019], [0024]	1-5, 11-15, 21,22
P,X	US 2007/246213 A1 (HAILEY TRAVIS T JR [US]) 25 October 2007 (2007-10-25) paragraphs [0037], [0041], [0046], [0053]	1-9, 11-19, 21,22
	----- -/--	

Further documents are listed in the continuation of Box C.

See patent family annex.

* Special categories of cited documents :

- *A* document defining the general state of the art which is not considered to be of particular relevance
- *E* earlier document but published on or after the international filing date
- *L* document which may throw doubts on priority claim(s) or which is cited to establish the publication date of another citation or other special reason (as specified)
- *O* document referring to an oral disclosure, use, exhibition or other means
- *P* document published prior to the international filing date but later than the priority date claimed

- *T* later document published after the international filing date or priority date and not in conflict with the application but cited to understand the principle or theory underlying the invention
- *X* document of particular relevance; the claimed invention cannot be considered novel or cannot be considered to involve an inventive step when the document is taken alone
- *Y* document of particular relevance; the claimed invention cannot be considered to involve an inventive step when the document is combined with one or more other such documents, such combination being obvious to a person skilled in the art.
- * & * document member of the same patent family

Date of the actual completion of the international search

26 November 2008

Date of mailing of the international search report

02/12/2008

Name and mailing address of the ISA/

European Patent Office, P.B. 5818 Patentlaan 2
NL - 2280 HV Rijswijk
Tel. (+31-70) 340-2040,
Fax: (+31-70) 340-3016

Authorized officer

Garrido Garcia, M

INTERNATIONAL SEARCH REPORT

International application No

PCT/US2008/005846

C(Continuation). DOCUMENTS CONSIDERED TO BE RELEVANT		
Category*	Citation of document, with indication, where appropriate, of the relevant passages	Relevant to claim No.
P, X	WO 2007/126496 A (EXXONMOBIL UPSTREAM RES CO [US]; HAEBERLE DAVID C [US]; YEH CHARLES [U] 8 November 2007 (2007-11-08) paragraphs [0049], [0053]	1-5, 8, 10-15, 18, 20-22
P, A	WO 2007/094897 A (EXXONMOBIL UPSTREAM RES CO [US]; YEAGER DONALD L [US]; BUNNELL FRANZ D) 23 August 2007 (2007-08-23) paragraph [0045]	1-22
A	US 2002/174981 A1 (DEN BOER JOHANNIS JOSEPHUS [NL] ET AL) 28 November 2002 (2002-11-28) abstract	1-22
A	US 2005/126776 A1 (RUSSELL THANE G [CA] RUSSELL THANE GEOFFREY [CA]) 16 June 2005 (2005-06-16) paragraph [0028]	1-22

INTERNATIONAL SEARCH REPORT

Information on patent family members

International application No

PCT/US2008/005846

Patent document cited in search report	Publication date	Patent family member(s)	Publication date
US 2006175065 A1	10-08-2006	US 2007131434 A1	14-06-2007
US 2005252651 A1	17-11-2005	AU 2003264283 A1	29-03-2004
		WO 2004022911 A2	18-03-2004
		GB 2409480 A	29-06-2005
		RU 2317403 C2	20-02-2008
US 2007246213 A1	25-10-2007	WO 2008053364 A2	08-05-2008
WO 2007126496 A	08-11-2007	AU 2007243920 A1	08-11-2007
WO 2007094897 A	23-08-2007	AU 2007215547 A1	23-08-2007
		CA 2636331 A1	23-08-2007
US 2002174981 A1	28-11-2002	NONE	
US 2005126776 A1	16-06-2005	CA 2548477 A1	23-06-2005
		WO 2005056977 A1	23-06-2005
		EP 1704298 A1	27-09-2006
		US 2008006402 A1	10-01-2008