



US00D896298S

(12) **United States Design Patent**  
**Whaley**

(10) **Patent No.:** **US D896,298 S**

(45) **Date of Patent:** **\*\* Sep. 15, 2020**

(54) **CAMERA DEVICE WITH MIRROR SURFACE**

(71) Applicant: **Facebook, Inc.**, Menlo Park, CA (US)

(72) Inventor: **John Russell Whaley**, San Jose, CA (US)

(73) Assignee: **Facebook, Inc.**, Menlo Park, CA (US)

(\*\*) Term: **15 Years**

(21) Appl. No.: **29/631,128**

(22) Filed: **Dec. 27, 2017**

(51) **LOC (12) Cl.** ..... **16-05**

(52) **U.S. Cl.**  
USPC ..... **D16/219**

(58) **Field of Classification Search**

USPC ..... D16/200, 202-206, 208, 209, 218, 219;  
348/294, 373-376; 359/826; 396/6, 301,  
396/529, 535, 539-541  
CPC ..... G03B 15/03; G03B 17/02; G03B 17/04;  
G03B 17/08; G03B 17/56; G03B 19/04;  
H04N 5/2251; H04N 5/2252; H04N  
5/2253; H04N 5/2254; H04N 2101/00  
See application file for complete search history.

(56) **References Cited**

**U.S. PATENT DOCUMENTS**

3,655,456	A *	4/1972	Hamel	.....	H01M 2/20 429/153
4,819,678	A *	4/1989	Nolan	.....	B08B 3/006 134/186
5,015,805	A *	5/1991	Beckloff	.....	H01R 9/05 174/75 C
D758,470	S *	6/2016	Kircher	.....	D16/215

\* cited by examiner

*Primary Examiner* — Ramzi S Almatrahi

(74) *Attorney, Agent, or Firm* — Sheppard Mullin Richter & Hampton LLP

(57) **CLAIM**

The ornamental design for a camera device with mirror surface, as shown and described.

**DESCRIPTION**

FIG. 1 is a front perspective view of a camera device with mirror surface showing my new design;

FIG. 2 is a front view thereof;

FIG. 3 is a rear view thereof;

FIG. 4 is a side view thereof;

FIG. 5 is a top view thereof;

FIG. 6 is an exploded front perspective view thereof;

FIG. 7 is a front perspective view thereof, showing an environmental image of a fragmentary human body in broken lines which forms no part of the claimed design;

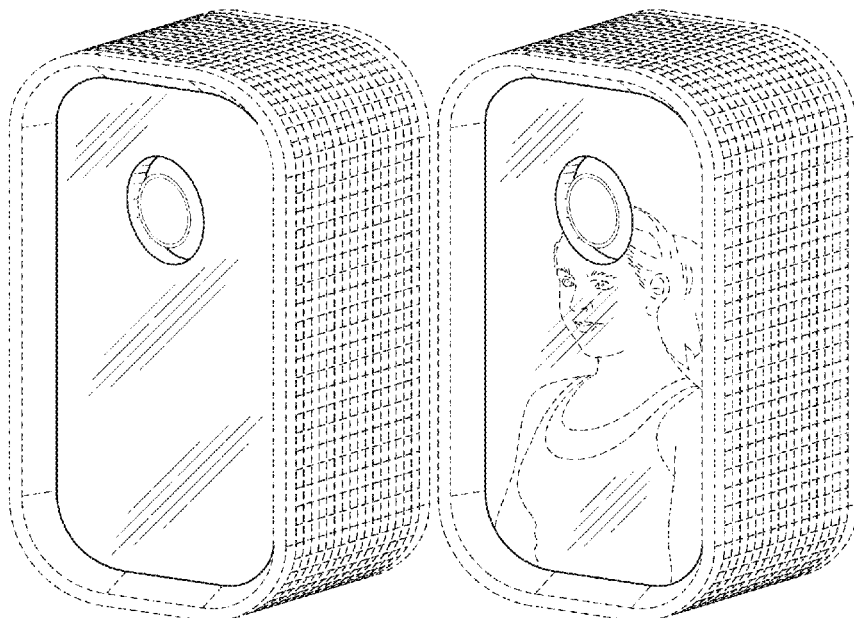
FIG. 8 is a front view thereof, shown in condition of use with a tripod disclosed in broken lines to illustrate an environment;

FIG. 9 is a front view of thereof, showing an environmental image of a fragmentary human body in broken lines which forms no part of the claimed design;

FIG. 10 is an exploded rear perspective view thereof; and, FIG. 11 is a rear perspective view thereof, shown in condition of use with a wall mount and power adapter disclosed in broken lines to illustrate an environment.

The broken lines depict portions of the camera device with mirror surface in which the design is embodied that form no part of the claimed design. The broken lines showing a tripod, wall mount, and power adapter in FIGS. 8-9 and 11 represent environmental structure and form no part of the claimed design.

**1 Claim, 7 Drawing Sheets**



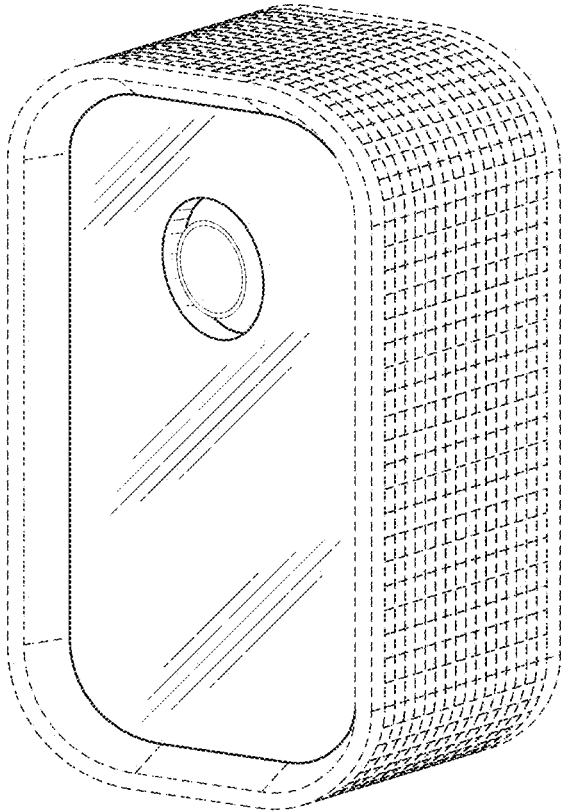


FIG. 1

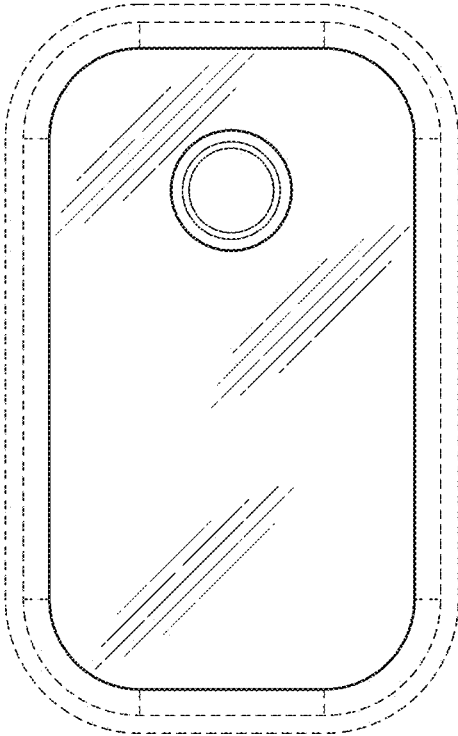


FIG. 2

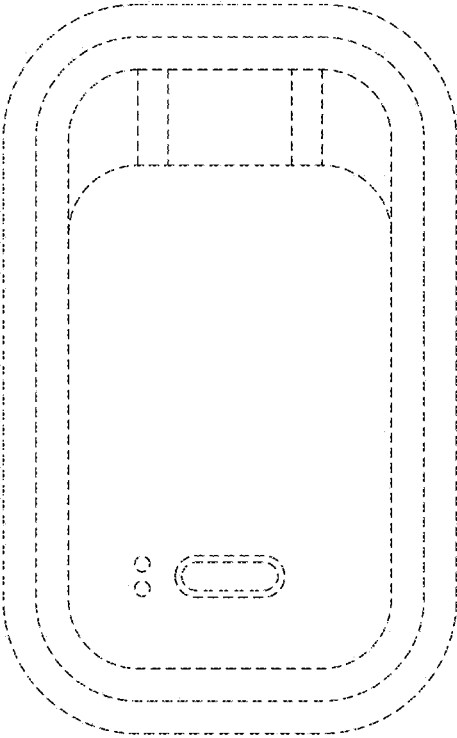


FIG. 3

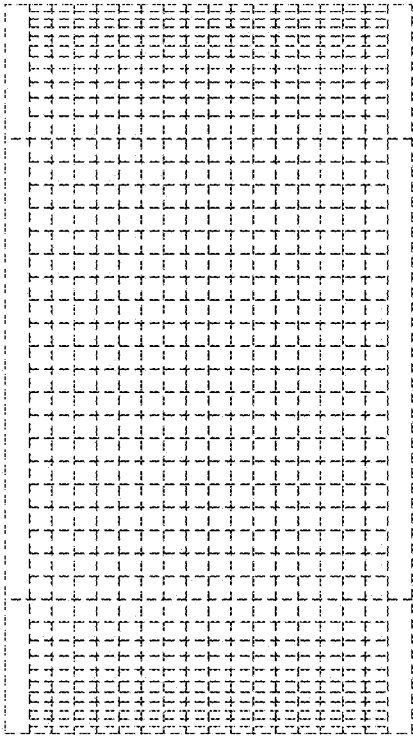


FIG. 4

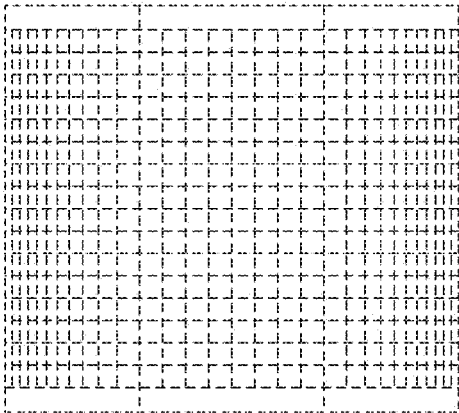


FIG. 5

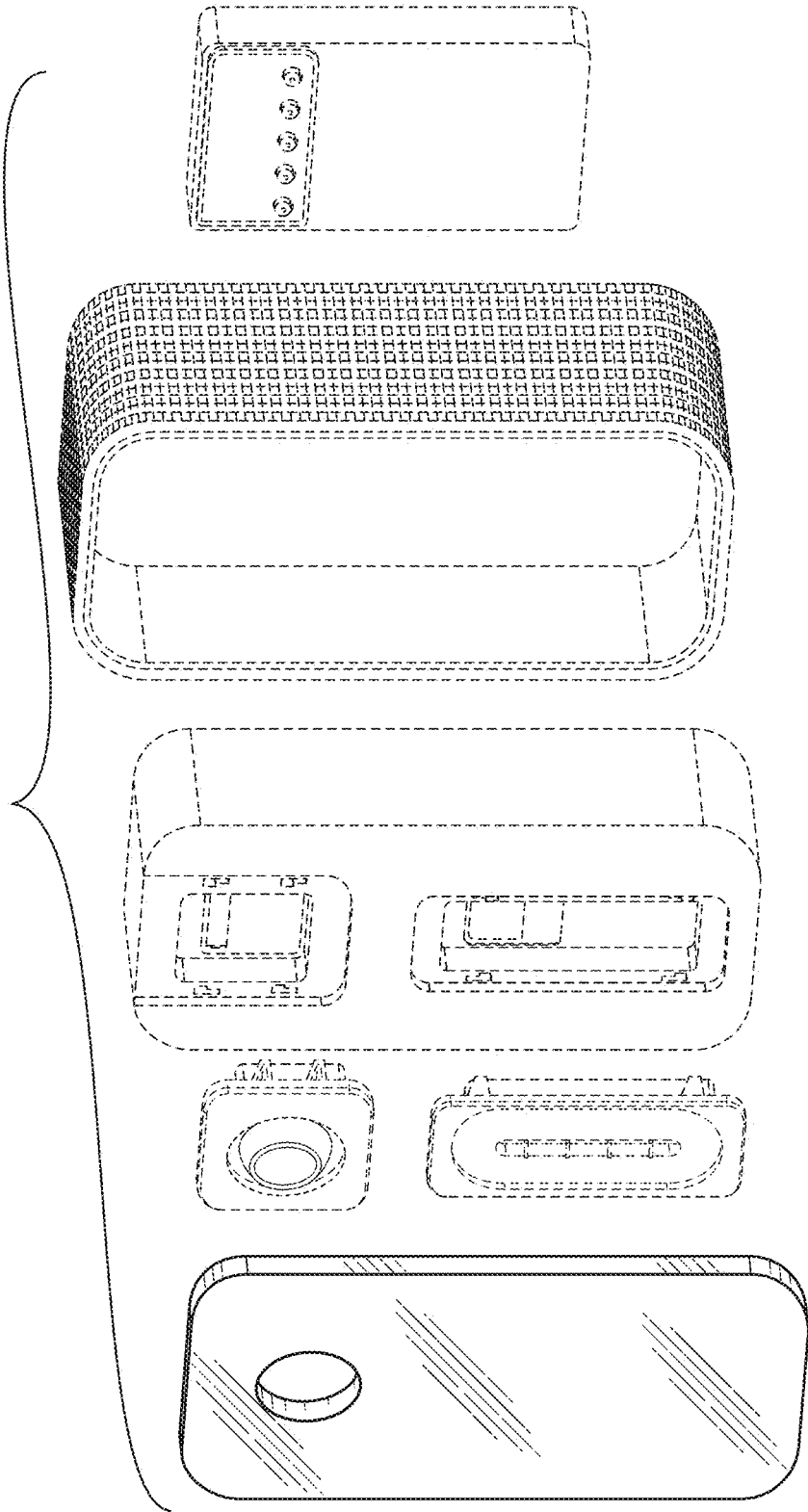


FIG. 6

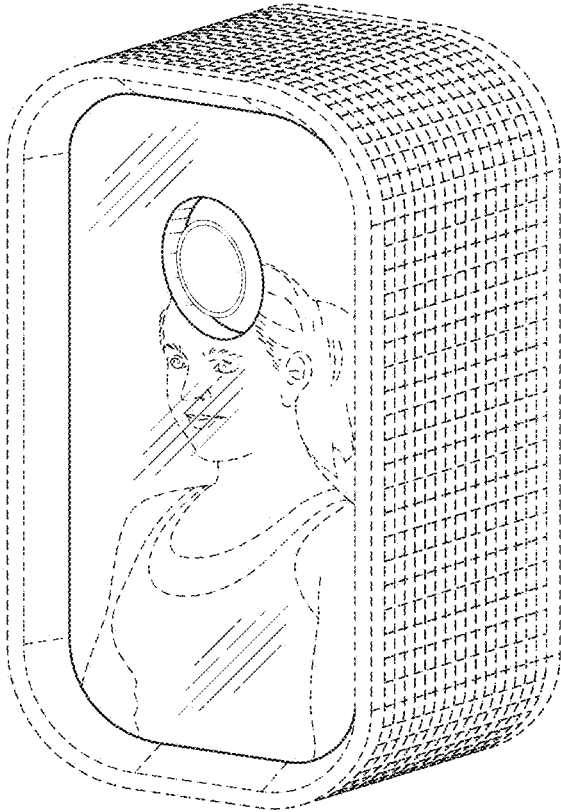


FIG. 7

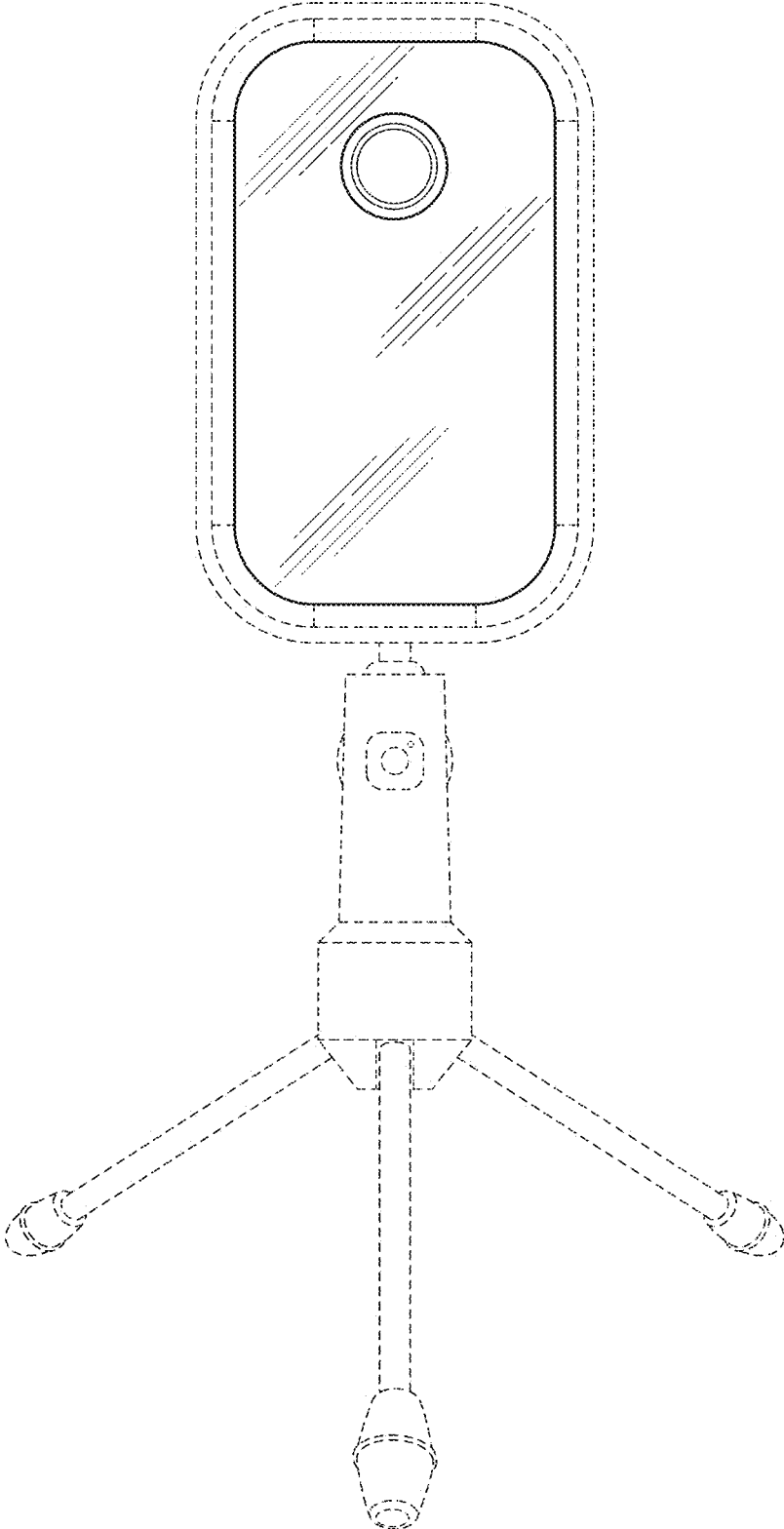


FIG. 8

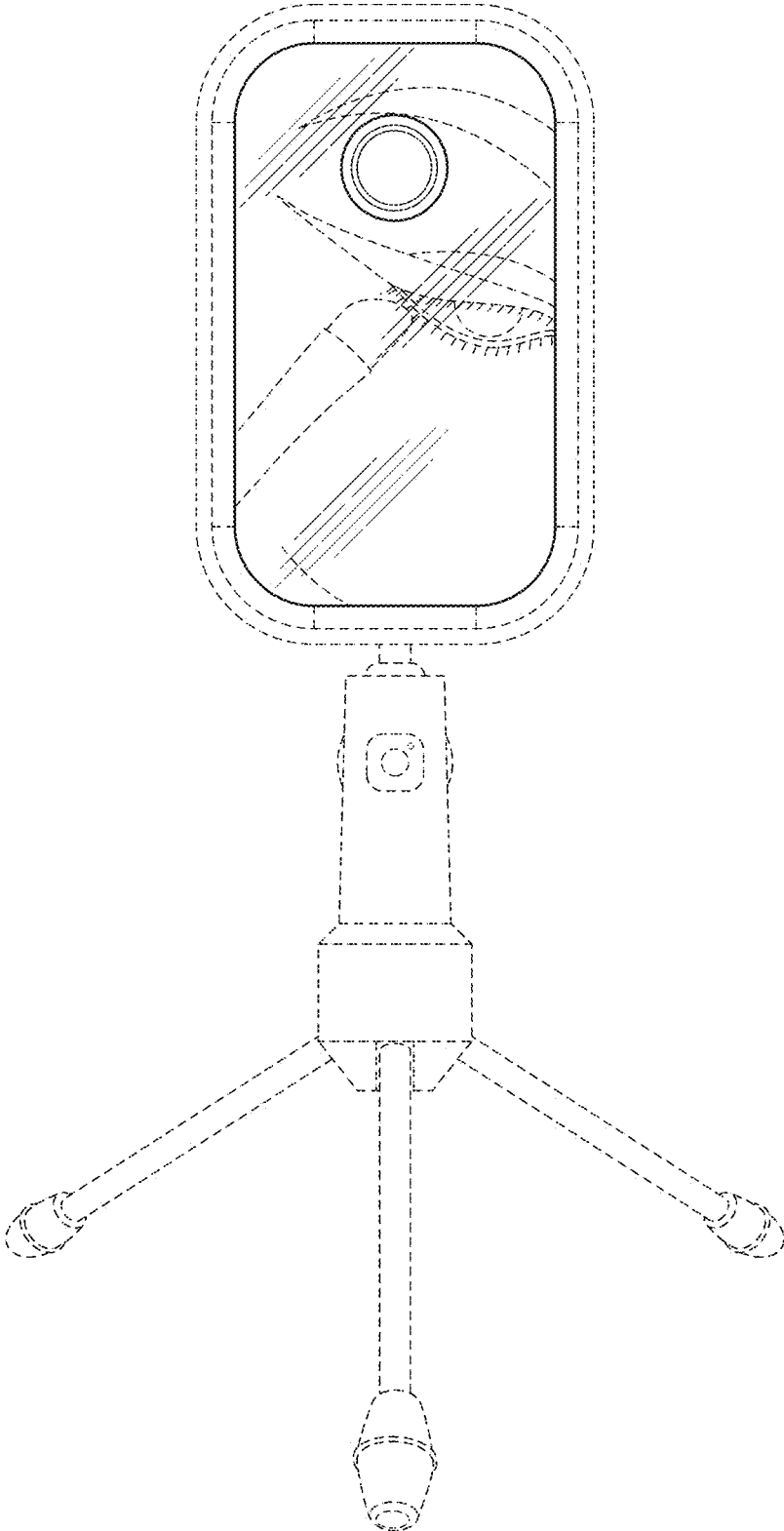


FIG. 9

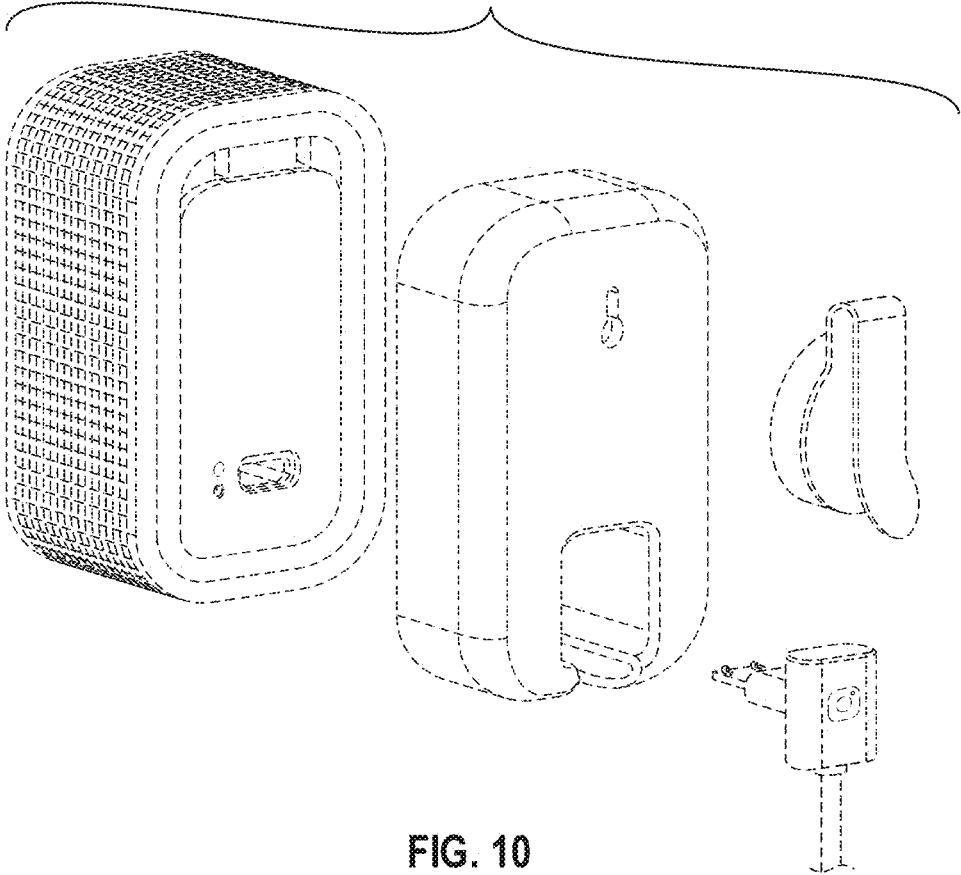


FIG. 10

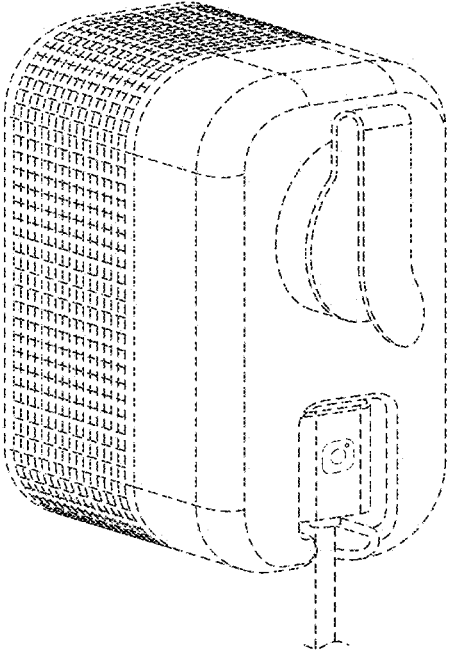


FIG. 11