



US00D517692S

(12) **United States Design Patent**  
Weber et al.

(10) **Patent No.:** US D517,692 S

(45) **Date of Patent:** \*\* \*Mar. 21, 2006

(54) **TAMPON APPLICATOR BARREL**

(75) Inventors: **Susanne Weber**, New York, NY (US);  
**Mario Turchi**, Tenafly, NJ (US)

(73) Assignee: **Playtex Products, Inc.**, Westport, CT (US)

(\* ) Notice: This patent is subject to a terminal disclaimer.

(\*\* ) Term: **14 Years**

(21) Appl. No.: **29/201,235**

(22) Filed: **Mar. 11, 2004**

(51) **LOC (8) Cl.** ..... **24-02**

(52) **U.S. Cl.** ..... **D24/141**

(58) **Field of Classification Search** ..... D24/141,  
D24/135, 130; 604/15, 902, 18, 17, 11, 16,  
604/39, 41, 57, 59, 14; 606/191  
See application file for complete search history.

(56) **References Cited**

**U.S. PATENT DOCUMENTS**

3,628,533	A	12/1971	Loyer	.....	128/263
D250,663	S	12/1978	Koch et al.	.....	D24/99
4,428,370	A *	1/1984	Keely	.....	604/14
4,508,531	A	4/1985	Whitehead	.....	604/14
4,536,178	A	8/1985	Lichstein et al.	.....	604/15
D492,033	S *	6/2004	Jarmon et al.	.....	D24/141
2003/0105421	A1 *	6/2003	Jarmon et al.	.....	604/11

\* cited by examiner

*Primary Examiner*—Ian Simmons

(74) *Attorney, Agent, or Firm*—Ohlandt, Greeley, Ruggiero & Perle, L.L.P.

(57) **CLAIM**

The ornamental design for a tampon applicator barrel, as shown and described.

**DESCRIPTION**

FIG. 1 is a front perspective view of a tampon applicator barrel according to the present invention;

FIG. 2 is a rear perspective view of the tampon applicator barrel of FIG. 1;

FIG. 3 is a top view of the tampon applicator barrel of FIG. 1;

FIG. 4 is the tampon applicator barrel of FIG. 3 rotated by 180 degrees about a longitudinal axis;

FIG. 5 is the tampon applicator barrel of FIG. 3 rotated by 90 degrees about a longitudinal axis;

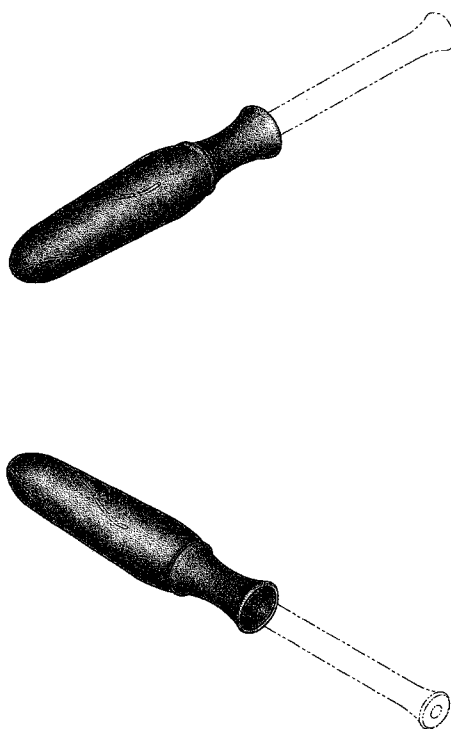
FIG. 6 is the tampon applicator barrel of FIG. 3 rotated by 270 degrees about a longitudinal axis;

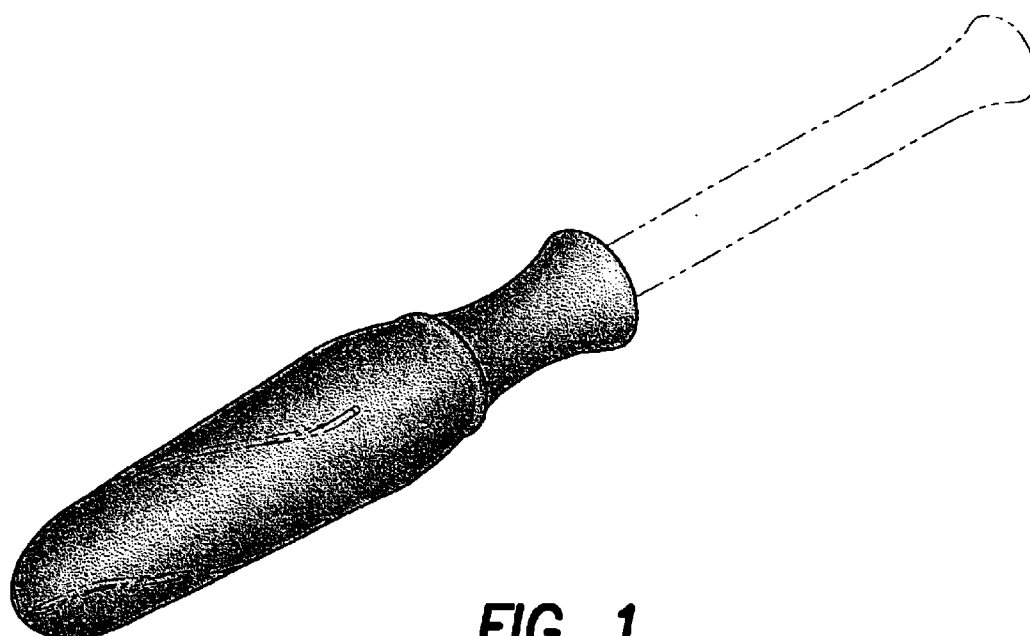
FIG. 7 is a front end view of the tampon applicator barrel of FIG. 1; and,

FIG. 8 is a rear end view of the tampon applicator barrel of FIG. 1.

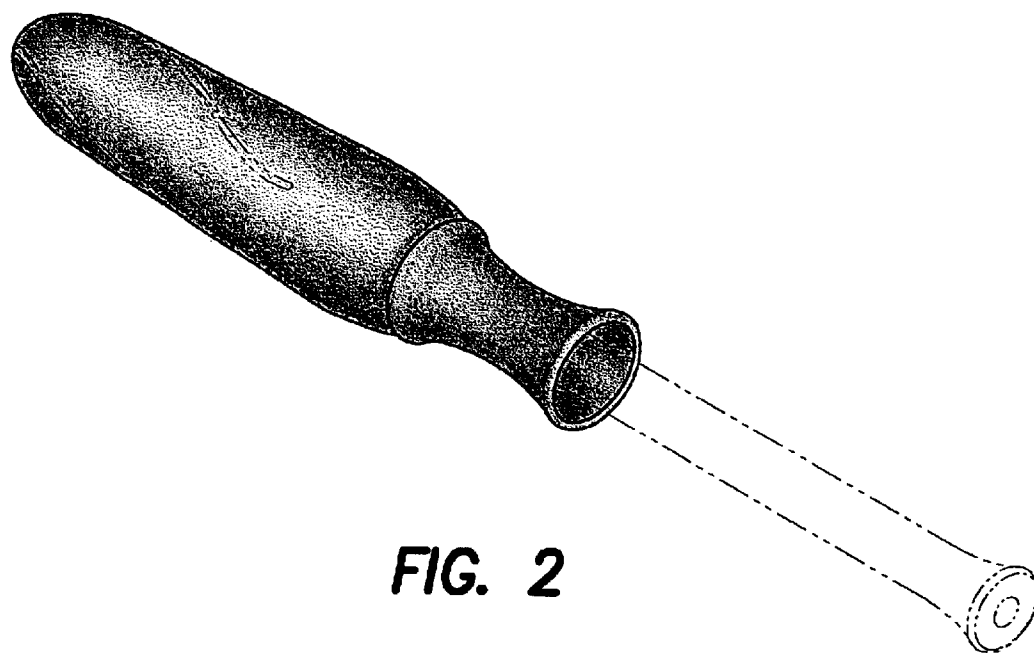
The broken line showing is for illustrative purposes only and forms no part of the claimed design.

**1 Claim, 5 Drawing Sheets**



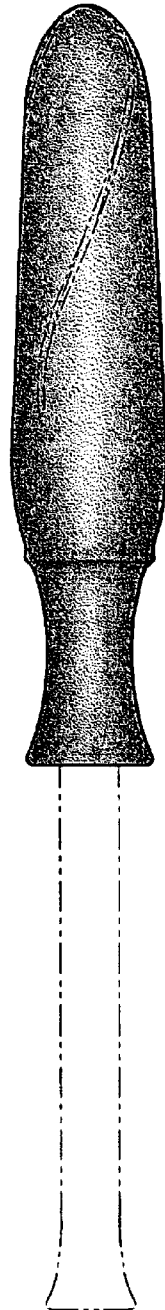


**FIG. 1**

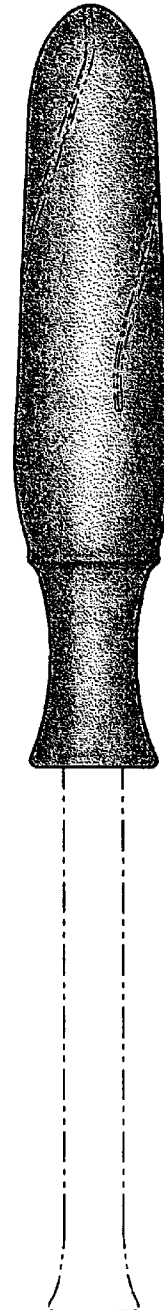


**FIG. 2**

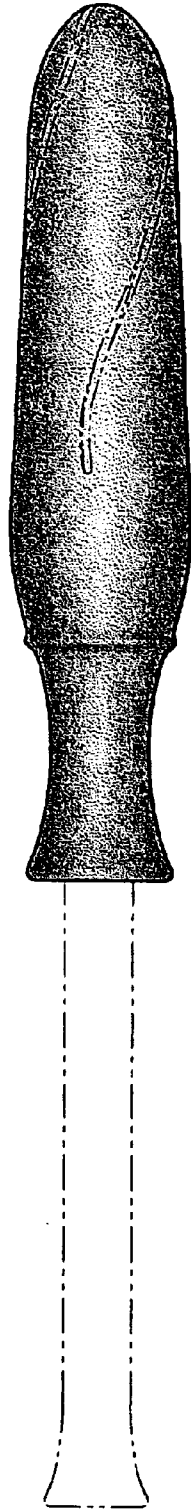
**FIG. 3**



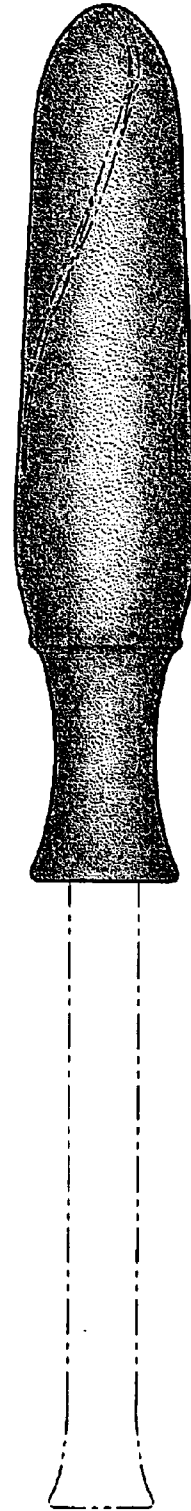
**FIG. 4**



**FIG. 5**



**FIG. 6**





**FIG. 7**



**FIG. 8**