



US0D1044147S

(12) **United States Design Patent**
Jiang

(10) **Patent No.:** **US D1,044,147 S**

(45) **Date of Patent:** **** Sep. 24, 2024**

(54) **BIRD FEEDER**

FOREIGN PATENT DOCUMENTS

(71) Applicant: **Quanzhou Leader Crafts Co., Ltd.**,
Fujian (CN)

CN 308579610 * 4/2024
CN 308579614 * 4/2024
GB 6367178 * 5/2024

(72) Inventor: **Xuefeng Jiang**, Fengyang (CN)

(**) Term: **15 Years**

OTHER PUBLICATIONS

(21) Appl. No.: **29/943,116**

Delota Window Bird Feeders for Outside (online), (dated: Jun. 5, 2024) Retrieved from Internet (Jul. 12, 2024), URL: <https://www.amazon.com/dp/B0CZ6M2MVP> (6 pages) (Year: 2024).*

(22) Filed: **May 20, 2024**

(Continued)

(51) **LOC (14) Cl.** **30-03**

(52) **U.S. Cl.**
USPC **D30/124**

(58) **Field of Classification Search**
USPC D30/124, 121, 125, 126, 131, 123
CPC . A01K 1/00; A01K 1/10; A01K 1/105; A01K
31/00; A01K 31/14; A01K 31/17; A01K
39/00; A01K 39/02; A01K 39/0113;
A01K 39/012; A01K 39/0125; A01K
39/014; A01K 39/04; A01K 2227/30

See application file for complete search history.

Primary Examiner — Kimberly Barnes
Assistant Examiner — Sarah A Nguyen

(57) **CLAIM**

The ornamental design for a bird feeder, as shown and described.

DESCRIPTION

(56) **References Cited**

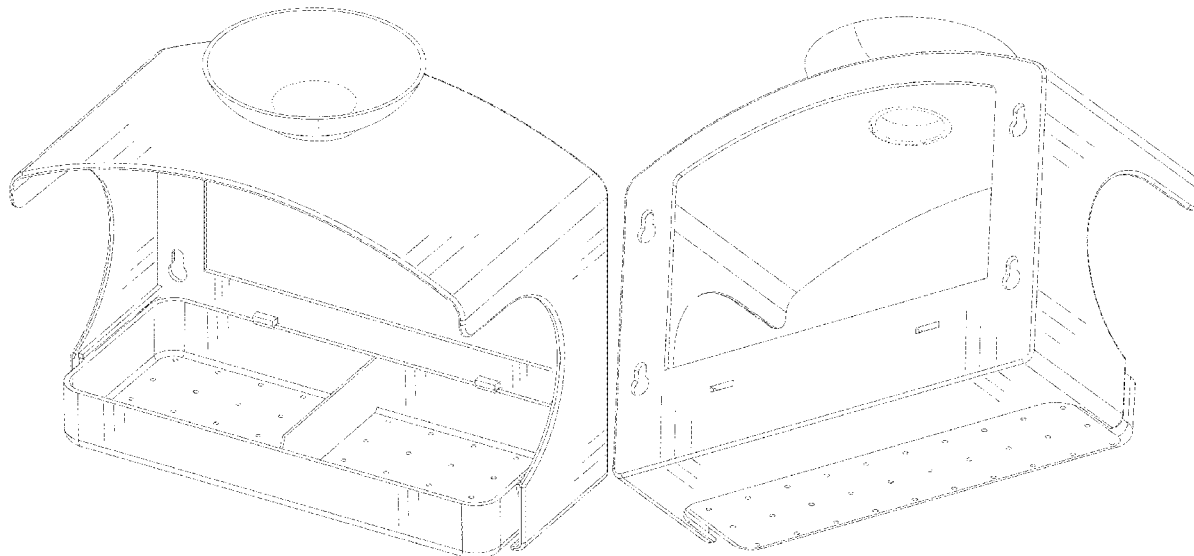
U.S. PATENT DOCUMENTS

3,076,433 A * 2/1963 Kofsky A01K 39/014
119/57.8
4,261,294 A * 4/1981 Bescherer A01K 39/014
D6/571
D351,690 S * 10/1994 Honeycutt D30/124
D407,863 S * 4/1999 Leal D30/124
D658,338 S 4/2012 Law
D681,284 S * 4/2013 Tu D30/126
8,833,305 B2 * 9/2014 Macpherson A01K 5/0142
119/61.5
9,295,222 B2 * 3/2016 Martinez E06B 7/28
D791,414 S 7/2017 Wilgus
D831,899 S 10/2018 Ellis et al.
D927,091 S * 8/2021 Aviv D30/124
D935,704 S * 11/2021 Zhang D30/124
D975,930 S 1/2023 Lu

(Continued)

FIG. 1 is a left, front and top perspective view of a bird feeder showing my new design;
FIG. 2 is a front elevational view thereof;
FIG. 3 is a rear elevational view thereof;
FIG. 4 is a right view thereof;
FIG. 5 is a left view thereof;
FIG. 6 is a top plan view thereof;
FIG. 7 is a bottom plan view thereof;
FIG. 8 is a right, rear and bottom perspective view thereof;
FIG. 9 is another left, front and top perspective view thereof, showing the bottom tray of the bird feeder in extended configuration; and,
FIG. 10 is another right, rear and bottom perspective view thereof, showing the bottom tray of the bird feeder in extended configuration.
The evenly broken lines illustrate portions of the article that form no part of the claimed design.

1 Claim, 10 Drawing Sheets



(56)

References Cited

U.S. PATENT DOCUMENTS

D977,734	S	*	2/2023	Stoutt	D30/124
D979,149	S	*	2/2023	Dodson	D30/124
D994,236	S		8/2023	Wang		
D995,939	S		8/2023	Huang		
D1,011,643	S	*	1/2024	Wang	D30/126
D1,017,917	S	*	3/2024	Huang	D30/124

OTHER PUBLICATIONS

Hasuber Clear Window Bird Feeder (online), (dated: Feb. 22, 2024)
Retrieved from Internet (Jul. 17, 2024), URL: <https://www.amazon.com/dp/B0CRP2KZS5> (6 pages) (Year: 2024).*

Homebird Window Bird Feeder with Strong Suction Cups (online),
(dated: May 5, 2024) Retrieved from Internet (Jul. 17, 2024), URL:
<https://www.amazon.com/dp/B094X5ZQ8L> (6 pages) (Year: 2024).*

Wenmixer Window Bird Feeder (online), (dated: May 17, 2024)
Retrieved from Internet (Jul. 12, 2024), URL: <https://www.amazon.com/dp/B0C7CB83XN> (7 pages) (Year: 2024).*

* cited by examiner

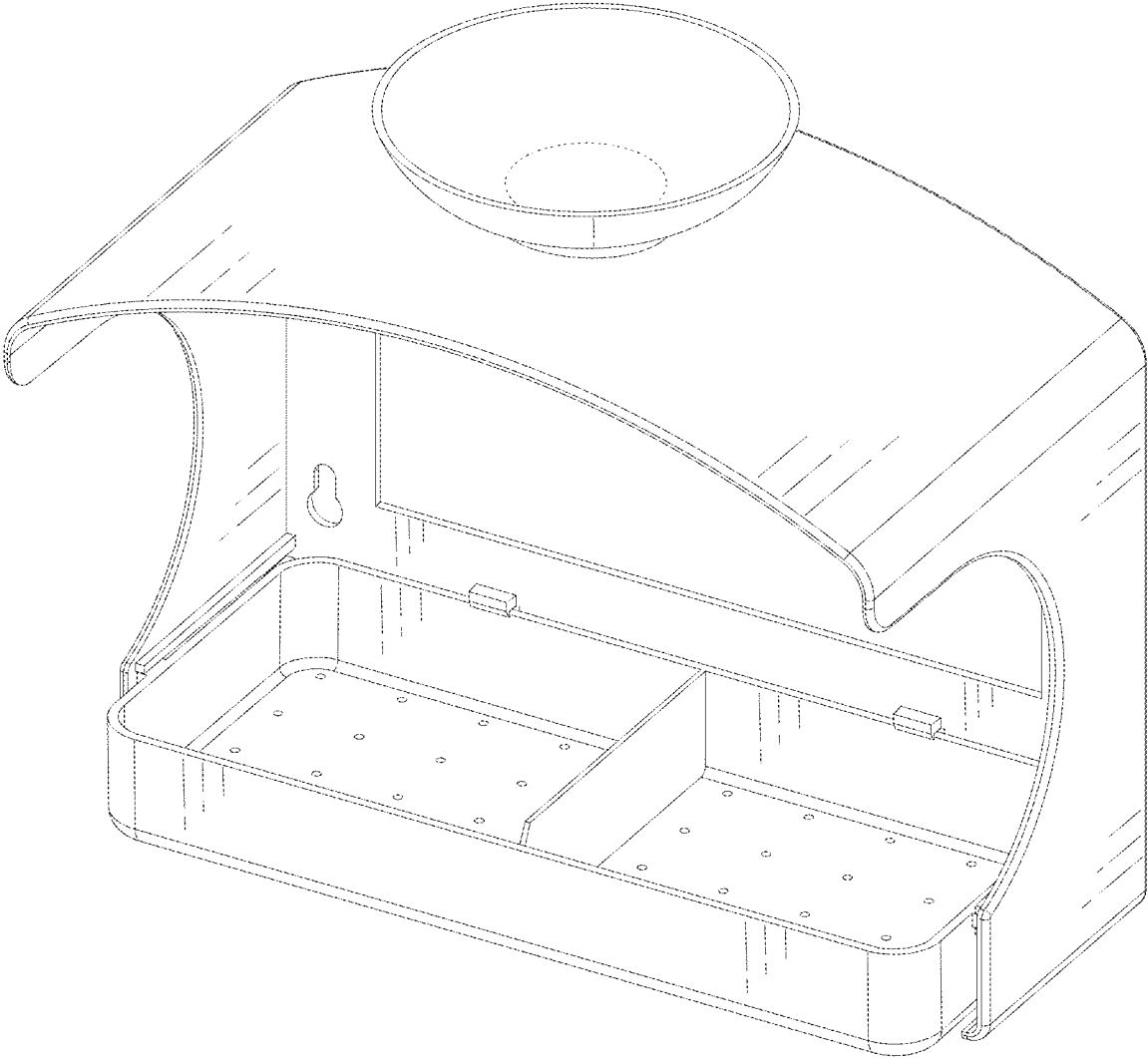


FIG.1

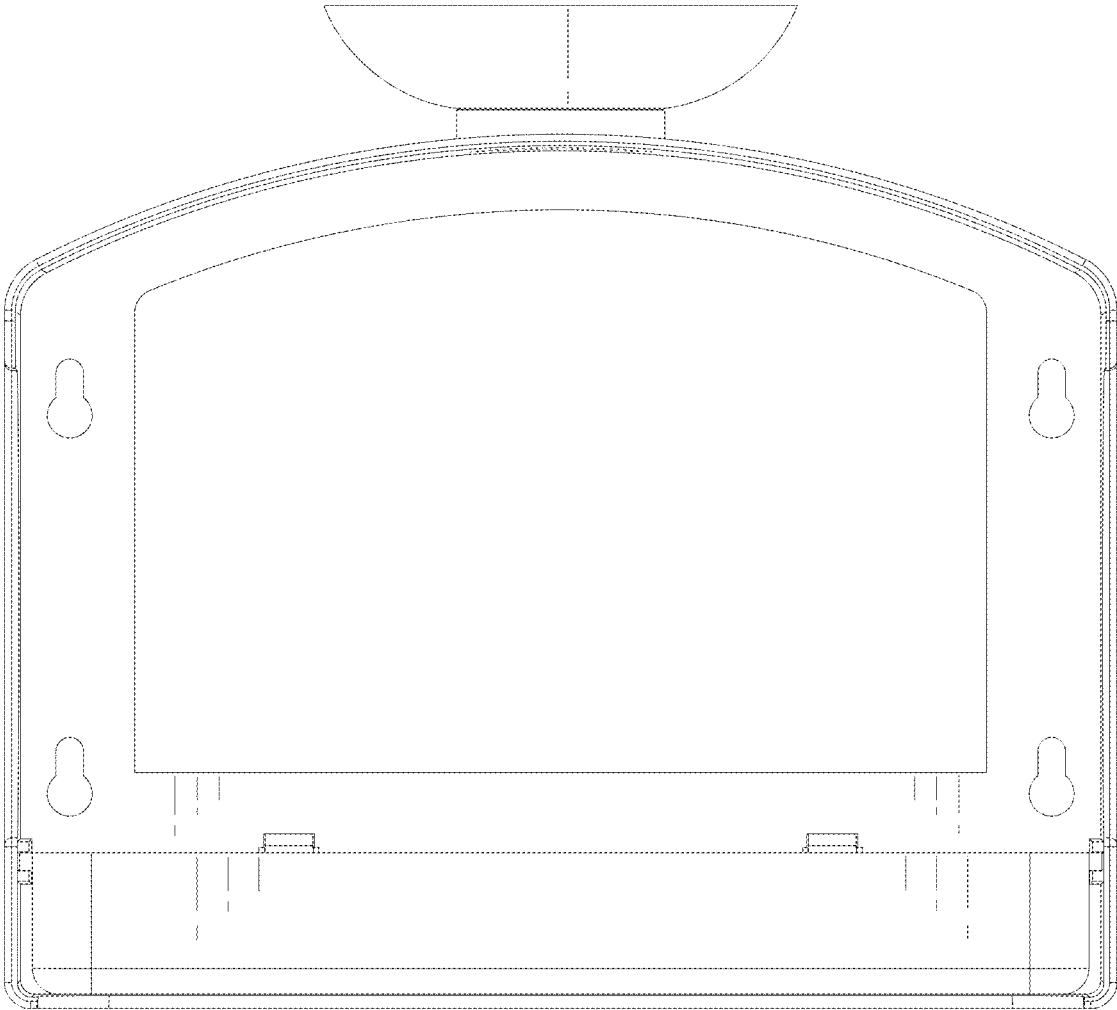


FIG.2

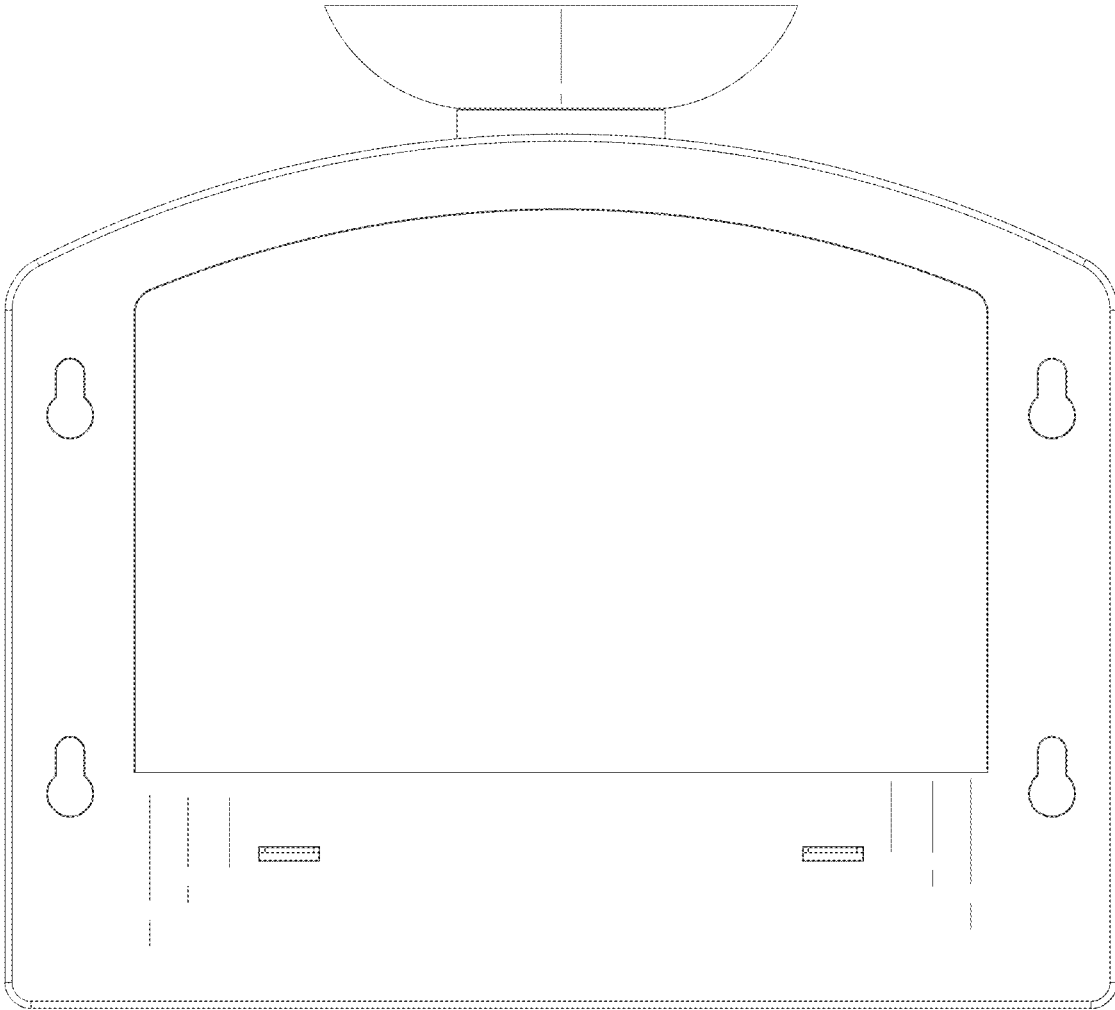


FIG.3

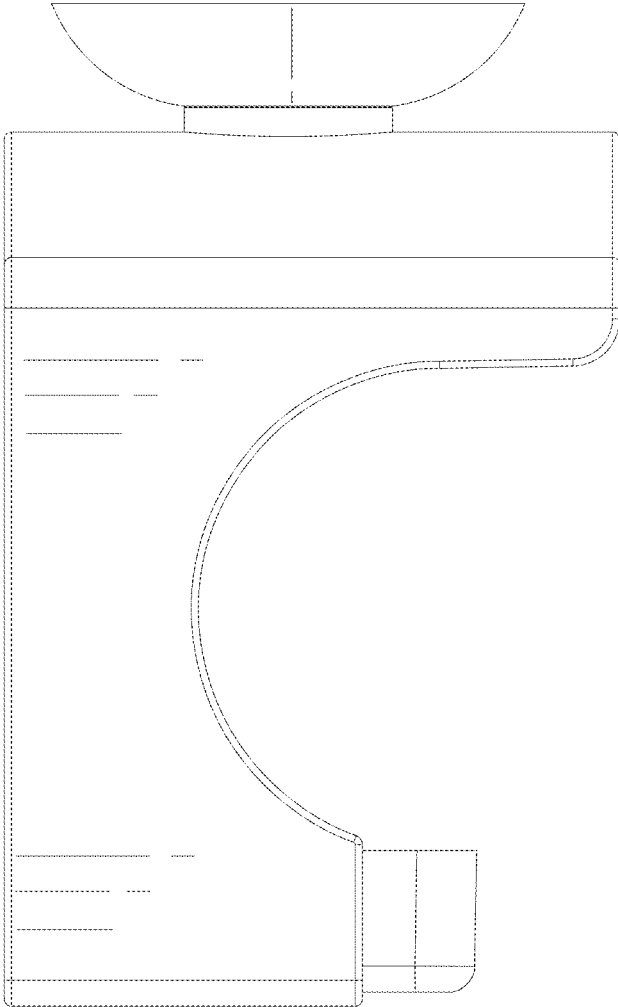


FIG.4

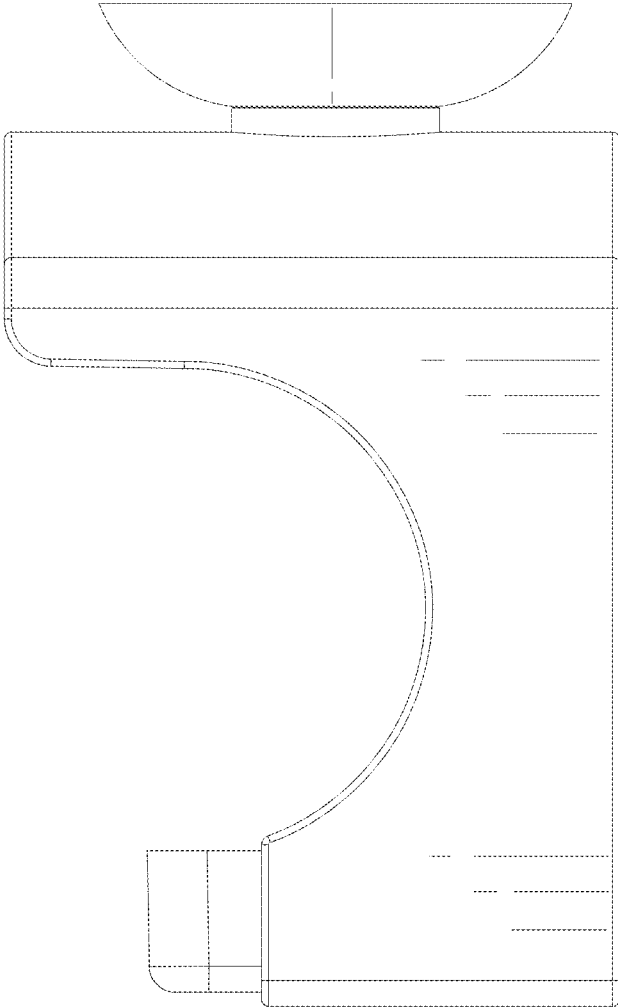


FIG.5

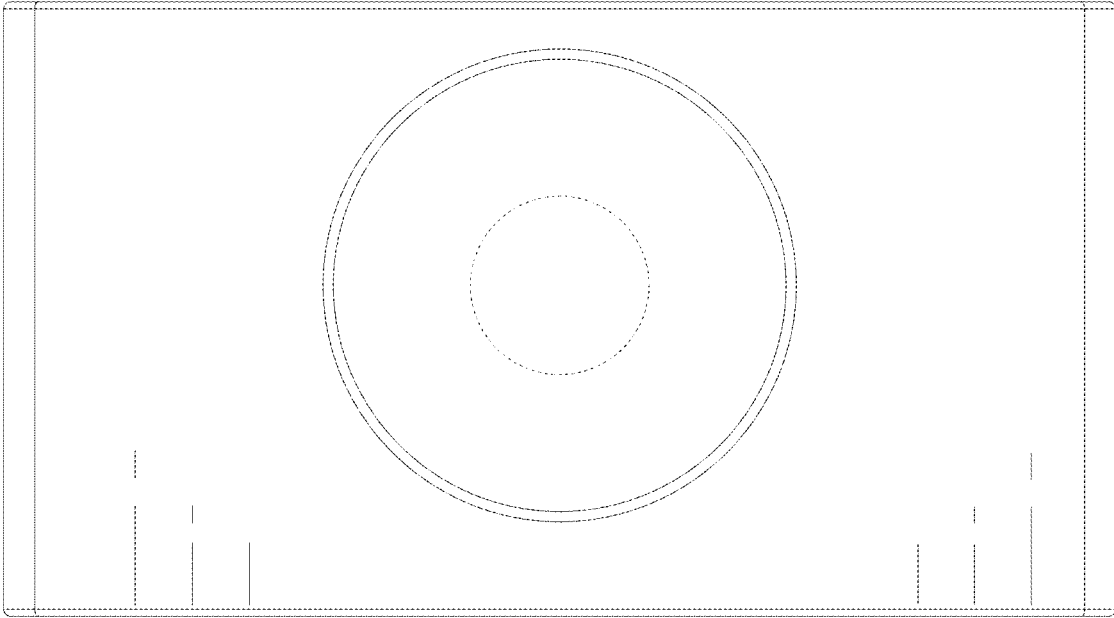


FIG.6

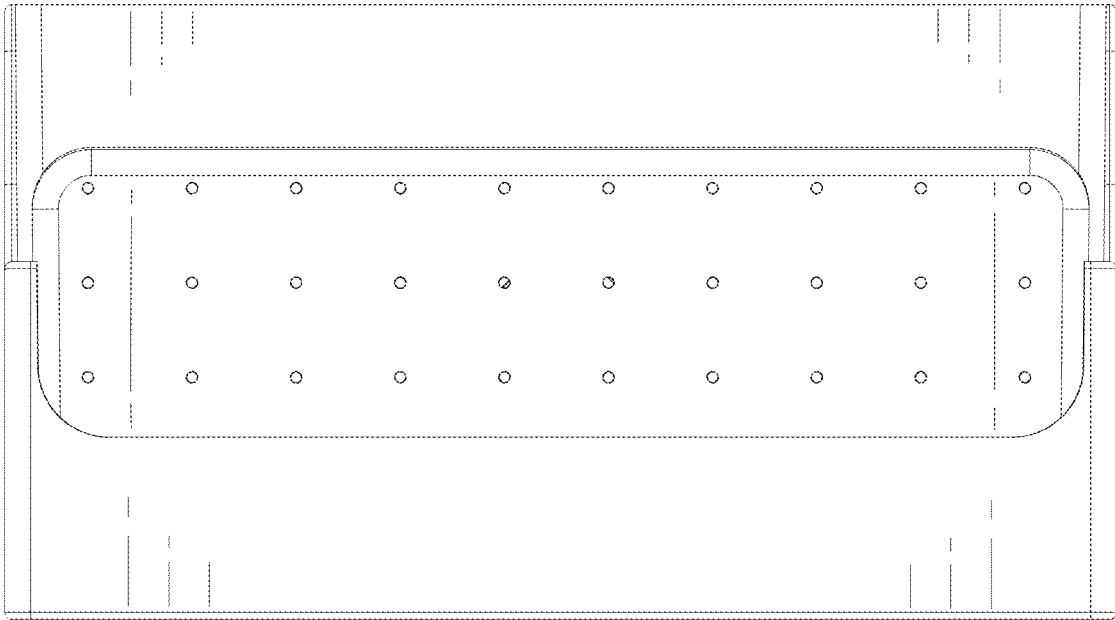


FIG.7

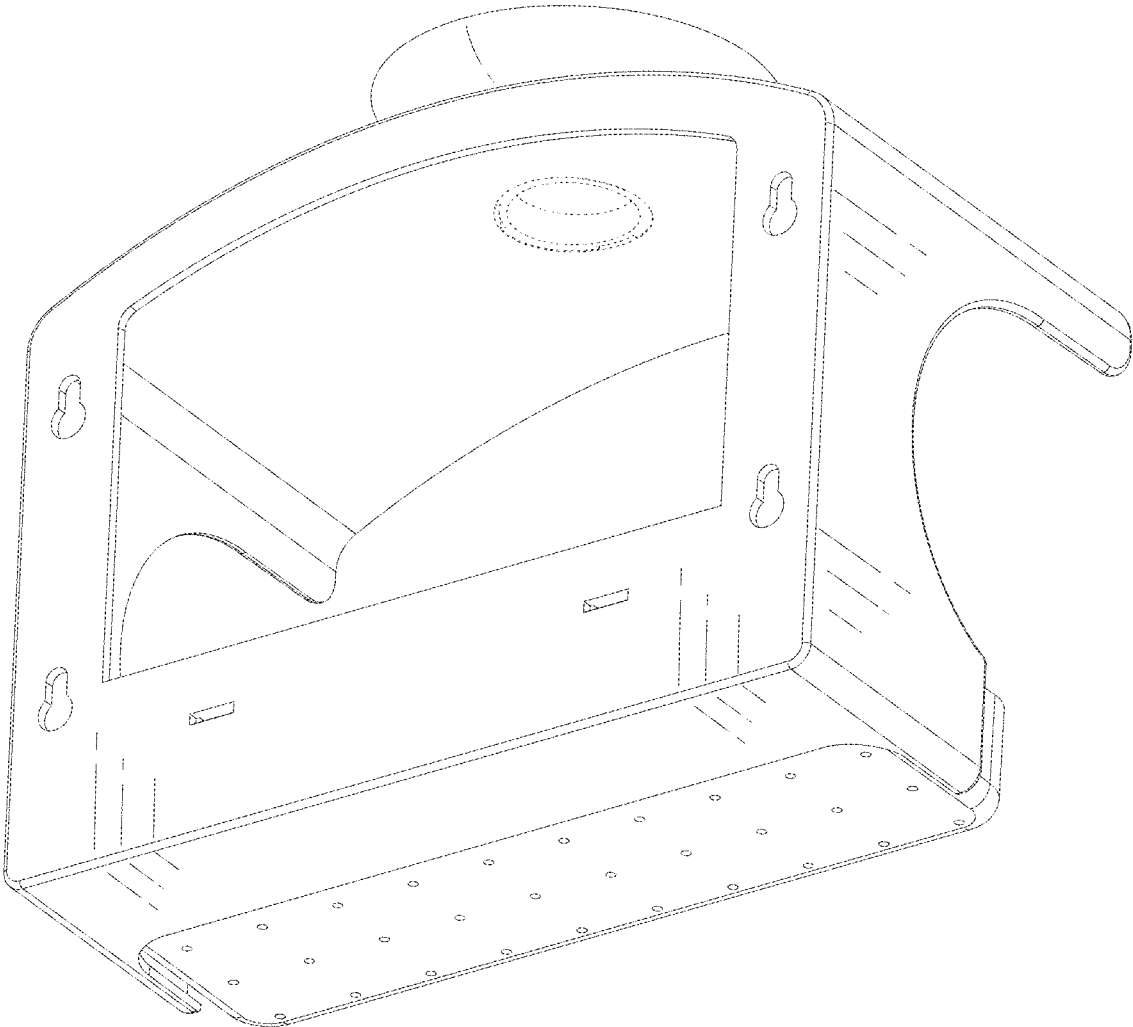


FIG.8

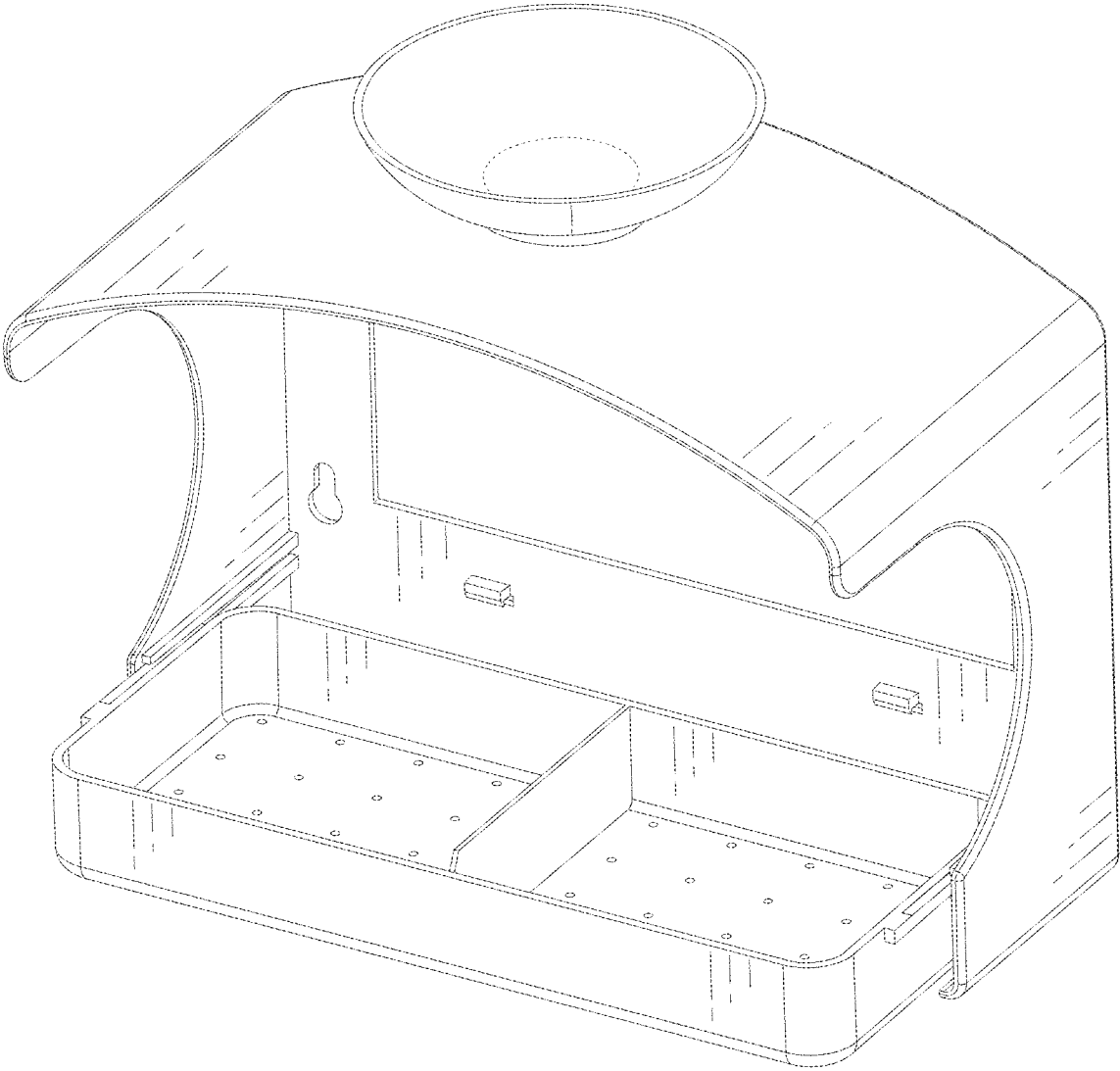


FIG.9

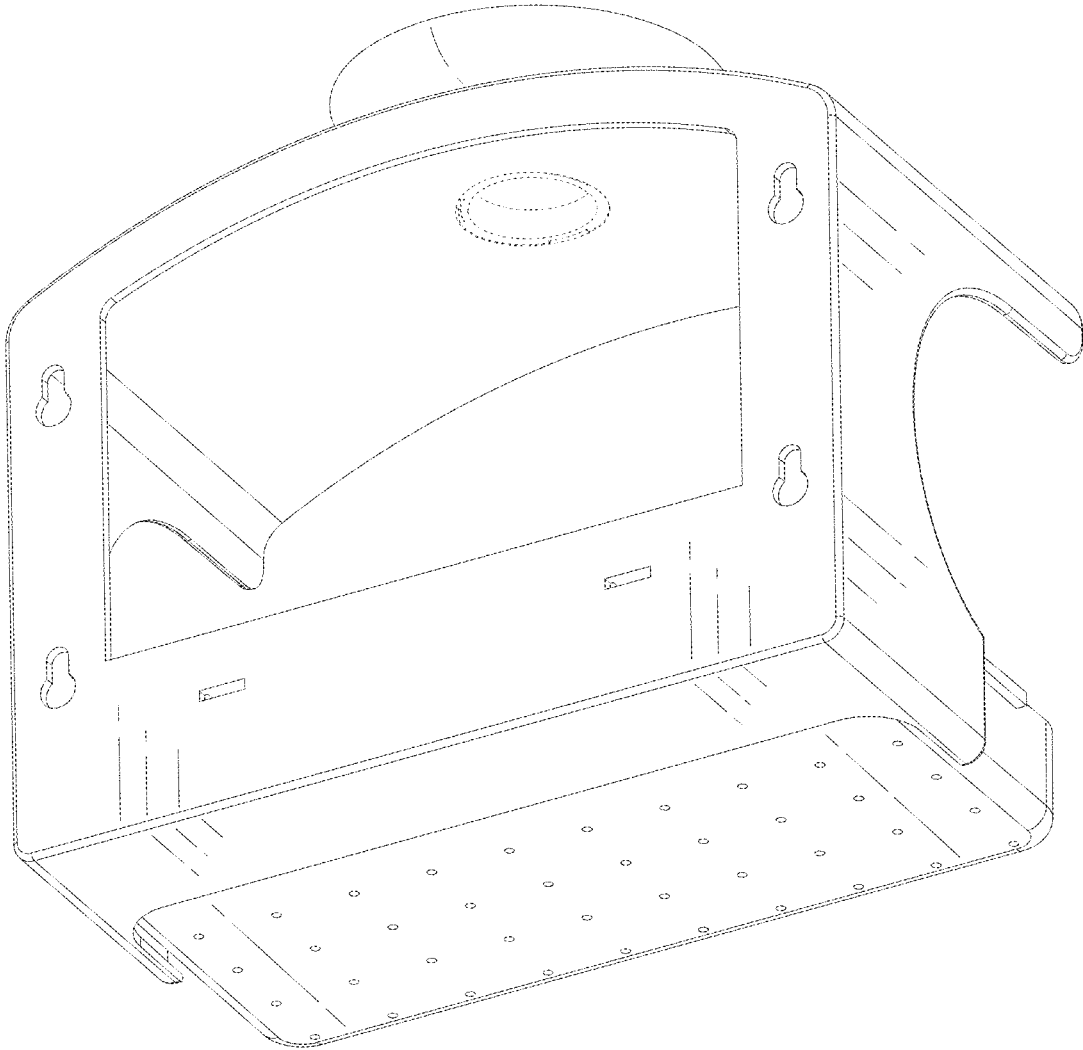


FIG.10