



US00D543745S

(12) **United States Design Patent**  
**Goeking et al.**

(10) **Patent No.:** **US D543,745 S**

(45) **Date of Patent:** **\*\* Jun. 5, 2007**

(54) **TISSUE ROLL DISPENSER**

(75) Inventors: **Harold J. Goeking**, Oshkosh, WI (US);  
**Gregory D. Budz**, Sobieski, WI (US);  
**Michael R. Kilgore**, Little Suamico,  
WI (US); **Karl D. Kissinger**, Appleton,  
WI (US); **Andy L. Kirkpatrick**, Green  
Bay, WI (US); **John R. Moody**,  
Winlock, WA (US)

(73) Assignee: **Georgia-Pacific Consumer Products  
LP**, Atlanta, GA (US)

(\*\*) Term: **14 Years**

(21) Appl. No.: **29/242,372**

(22) Filed: **Nov. 9, 2005**

(51) **LOC (8) Cl.** ..... **20-20**

(52) **U.S. Cl.** ..... **D6/520**

(58) **Field of Classification Search** ..... D6/515-523;  
242/560, 570, 590, 598; 312/34.1; 206/389;  
211/85.5

See application file for complete search history.

(56) **References Cited**

U.S. PATENT DOCUMENTS

2,930,664	A	3/1960	Liebisch	.....	312/39
4,108,513	A	8/1978	Lander	.....	312/39
4,557,426	A	12/1985	Siciliano	.....	242/55.3
4,989,800	A	2/1991	Tritch	.....	242/55.3
5,310,129	A	5/1994	Whittington et al.	.....	242/55.3
D351,520	S	* 10/1994	Frazier et al.	.....	D6/523
D351,749	S	* 10/1994	Omdoll et al.	.....	D6/523
5,636,812	A	6/1997	Conner et al.	.....	242/559.2
D436,774	S	* 1/2001	Engelstein et al.	.....	D6/522
D458,489	S	* 6/2002	Omdoll et al.	.....	D6/523
D458,490	S	* 6/2002	Omdoll et al.	.....	D6/523
6,648,267	B2	11/2003	Stanland et al.	.....	242/559.2
6,752,349	B2	6/2004	Moody et al.	.....	242/560

\* cited by examiner

Primary Examiner—Brian N Vinson

(74) Attorney, Agent, or Firm—Joel T. Charlton

(57) **CLAIM**

The ornamental design for a tissue roll dispenser, as shown and described.

**DESCRIPTION**

A portion of the disclosure of this patent document contains material to which a claim for copyright is made. The copyright owner has no objection to the facsimile reproduction by anyone of the patent document or the patent disclosure as it appears in the Patent and Trademark Office patent file or records, but reserves all other copyright rights whatsoever.

This application relates to the following design applications being filed concurrently herewith: U.S. patent application Ser. No. 29/242,373, entitled Tissue Roll Dispenser; and U.S. patent application Ser. No. 29/242,371, entitled Tissue Roll Dispenser Cover.

FIG. 1 is a perspective view of the tissue roll dispenser; FIG. 2 is a top plan view of tissue roll dispenser of FIG. 1; FIG. 3 a front view in elevation of the tissue roll dispenser of FIG. 1;

FIG. 4 is a right side view in elevation of the tissue roll dispenser of FIG. 1;

FIG. 5 is a rear view in elevation of the tissue roll dispenser of FIG. 1;

FIG. 6 is a left side view in elevation of the tissue roll dispenser of FIG. 1; and,

FIG. 7 is a bottom plan view of the tissue roll dispenser of FIG. 1.

In the drawings textured areas are shown as stippled and polished areas are shown with oblique lines. Preferably, the dispenser is made of a transparent or lightly pigmented material so that the polished areas are relatively transparent and the textured areas are translucent.

Four tissue rolls are shown in dashed lines to illustrate their position in the inventive dispenser when the dispenser is provided with product for dispensing. The rolls form no part of the claimed design.

The area in FIG. 5 within the broken lines on the back of the dispenser forms no part of the claimed design, nor do the broken lines themselves.

**1 Claim, 7 Drawing Sheets**

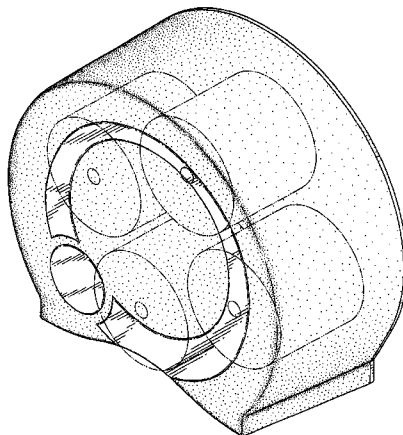


FIG. 1

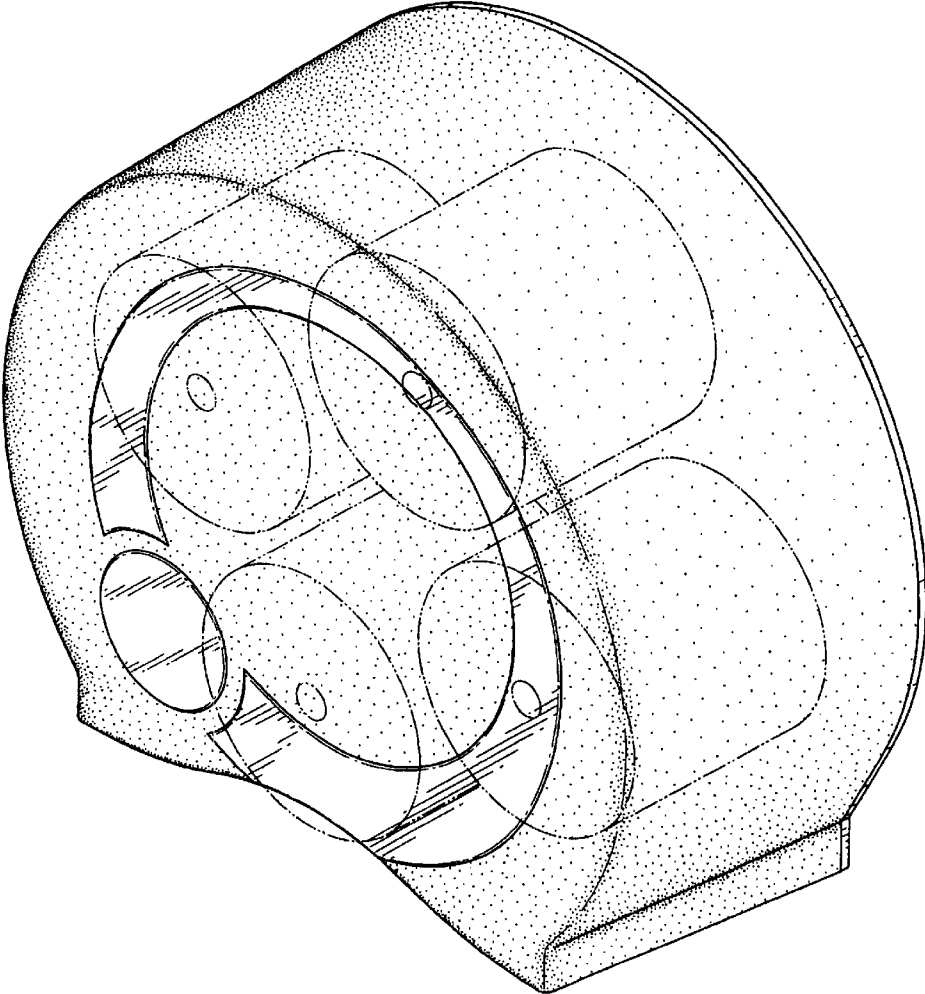


FIG. 2

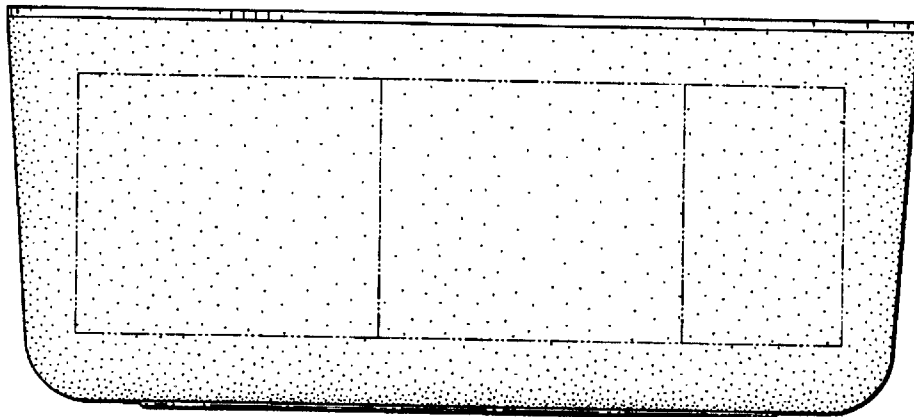
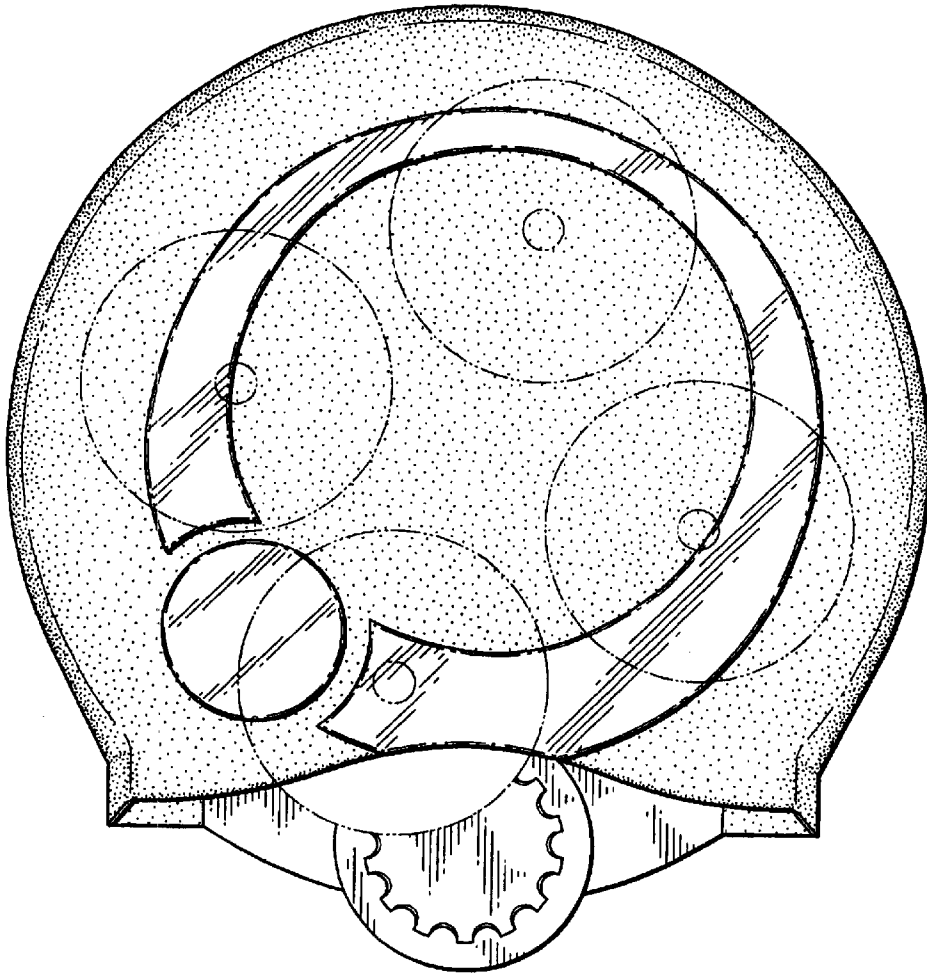


FIG. 3



**FIG. 4**

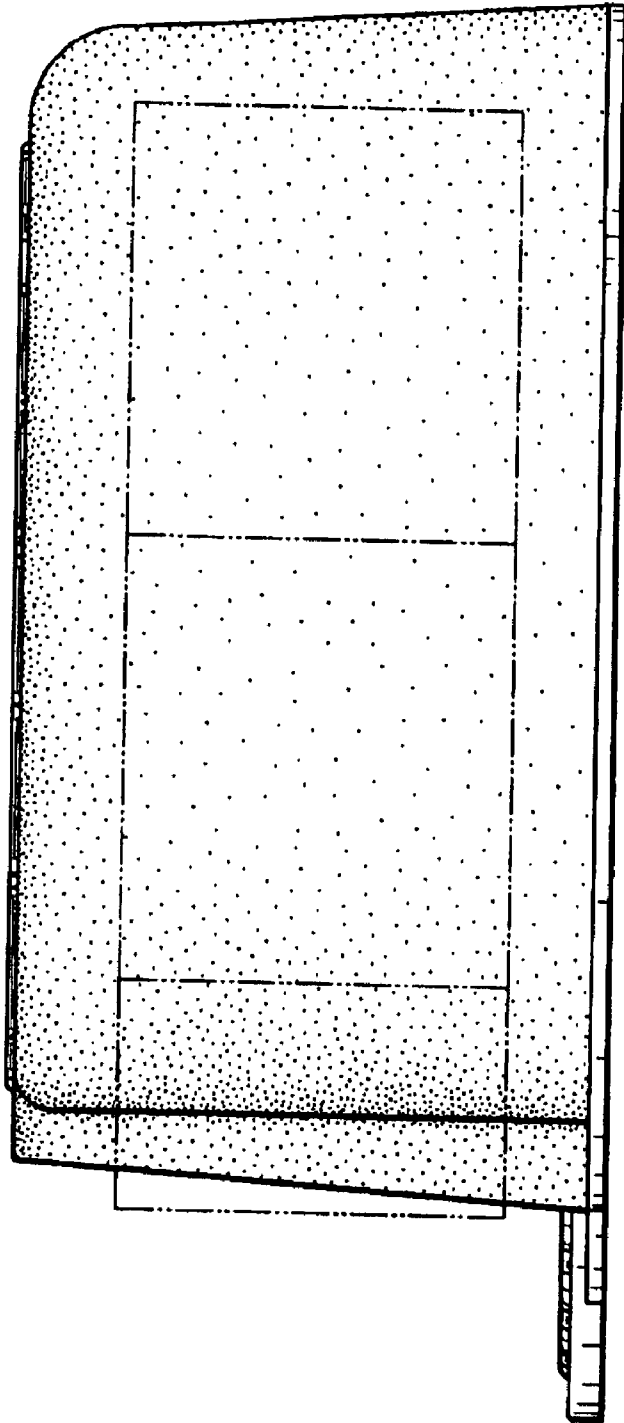
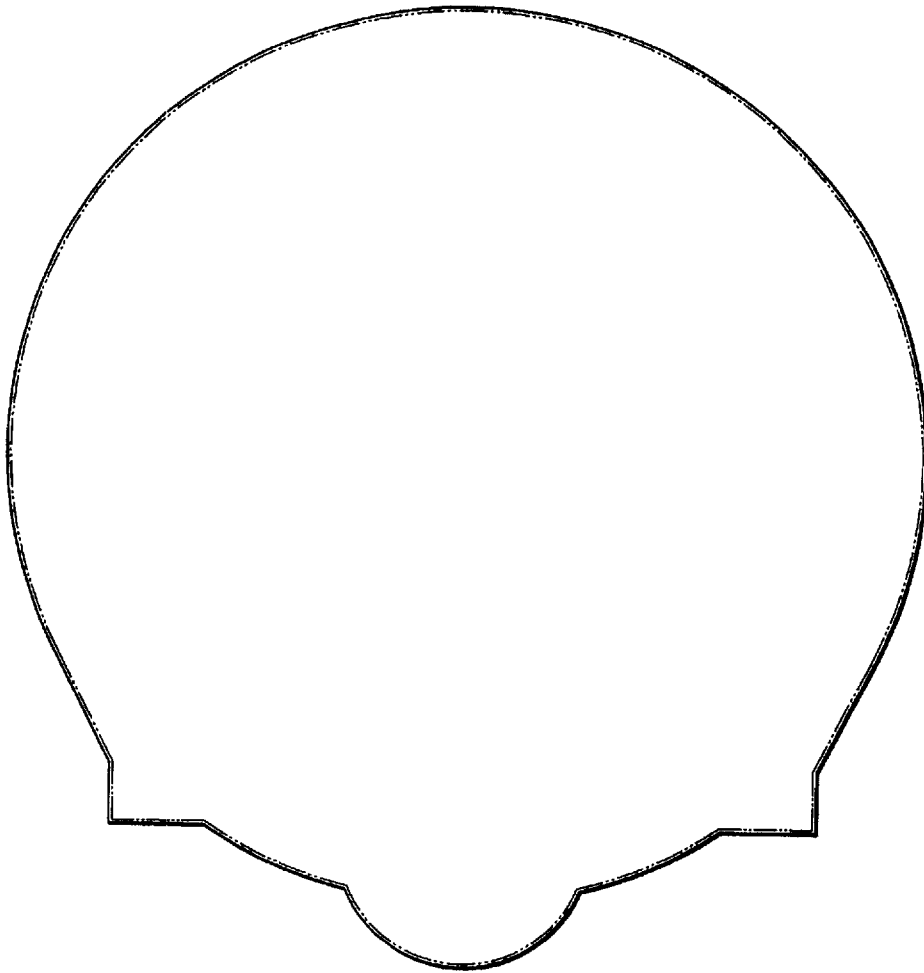


FIG. 5



*FIG. 6*

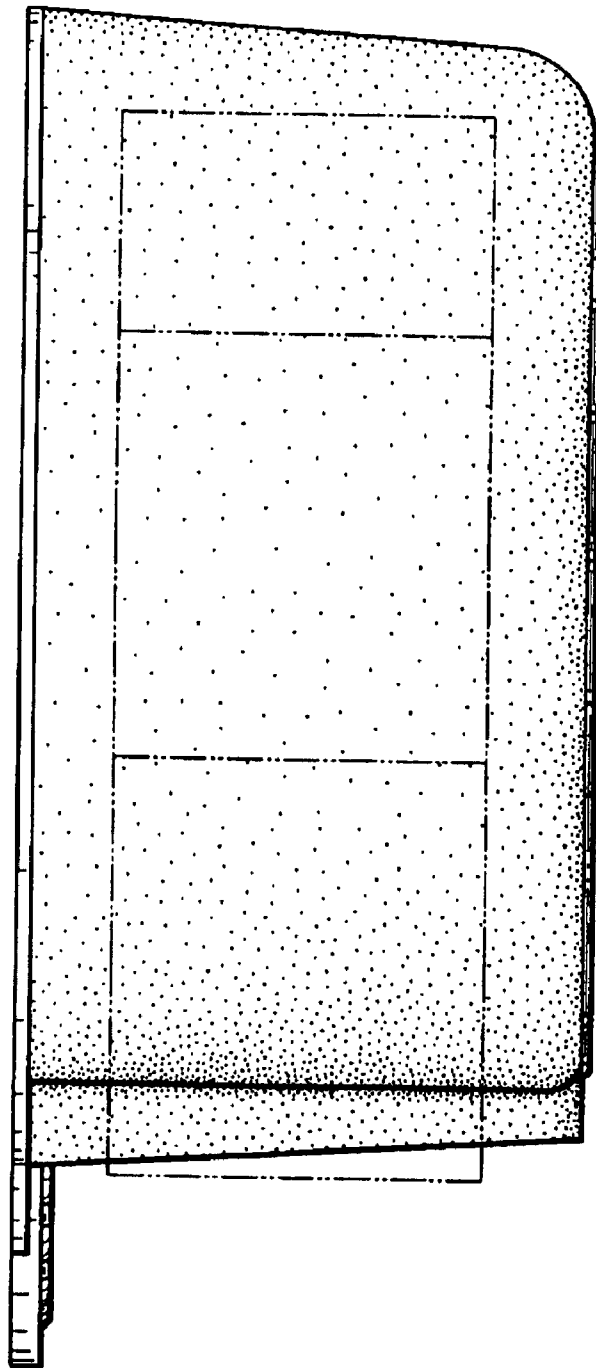


FIG. 7

