



US00D749663S

(12) **United States Design Patent**
Cho

(10) **Patent No.:** **US D749,663 S**

(45) **Date of Patent:** **** Feb. 16, 2016**

(54) **CAMERA**

(71) Applicant: **Samsung Electronics Co., Ltd.**,
Suwon-si, Gyeonggi-do (KR)

(72) Inventor: **Chang-Sin Cho**, Seoul (KR)

(73) Assignee: **SAMSUNG ELECTRONICS CO., LTD.** (KR)

(**) Term: **14 Years**

(21) Appl. No.: **29/509,173**

(22) Filed: **Nov. 14, 2014**

(30) **Foreign Application Priority Data**

May 15, 2014 (KR) 30-2014-0023939

(51) **LOC (10) Cl.** **16-05**

(52) **U.S. Cl.**

USPC **D16/219**

(58) **Field of Classification Search**

USPC D16/200, 202, 204, 218, 219;
348/373-376; 396/535-541

CPC . H04N 5/2251; H04N 5/2252; H04N 5/2253;
H04N 5/2254; H04N 2101/00

See application file for complete search history.

(56) **References Cited**

U.S. PATENT DOCUMENTS

D532,810	S	*	11/2006	Kim	D16/219
D561,225	S	*	2/2008	Miyahara	D16/219
8,248,522	B2	*	8/2012	Hsieh	G03B 17/12 348/373
8,259,223	B2	*	9/2012	Okada	G03B 17/02 396/535
D682,334	S	*	5/2013	Inshik	D16/202
D682,335	S	*	5/2013	Kim	D16/202
D726,236	S	*	4/2015	Kim	D16/218
D730,964	S	*	6/2015	Jang	D16/202

* cited by examiner

Primary Examiner — Adir Aronovich

(74) *Attorney, Agent, or Firm* — Cantor Colburn LLP

(57) **CLAIM**

I claim, the ornamental design for a camera, as shown and described.

DESCRIPTION

FIG. 1 is a front, top and right side prospective view of a camera showing my new design;
FIG. 2 is a front elevational view thereof;
FIG. 3 is a rear elevational view thereof;
FIG. 4 is a left side elevational view thereof;
FIG. 5 is a right side elevational view thereof;
FIG. 6 is top plan view thereof; and,
FIG. 7 is bottom plan view thereof.
The broken lines depict portions of the camera in which the design is embodied and form no part of the claimed design.

1 Claim, 3 Drawing Sheets

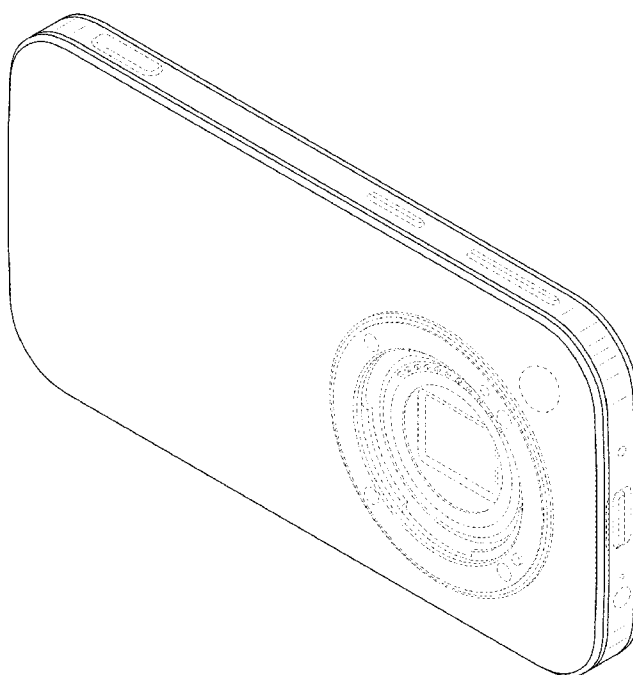


FIG.1

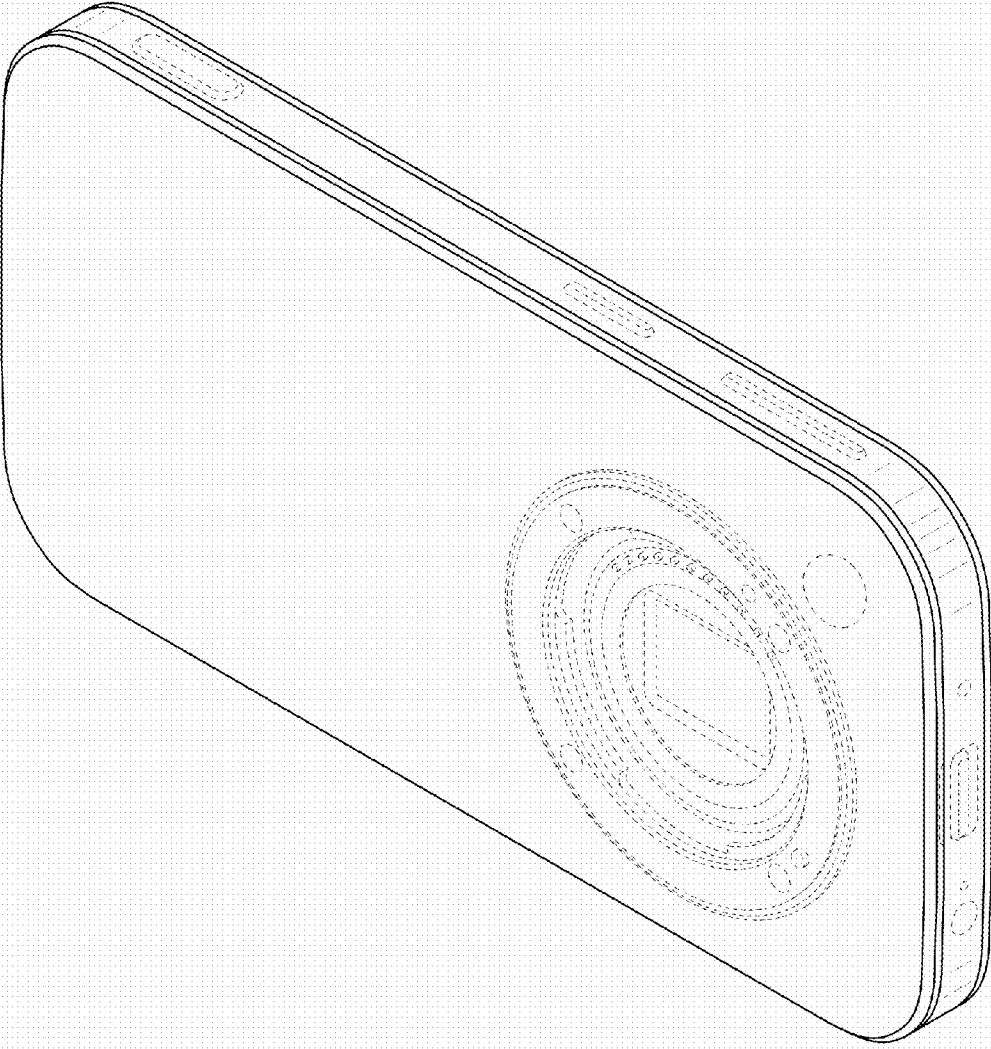


FIG.2

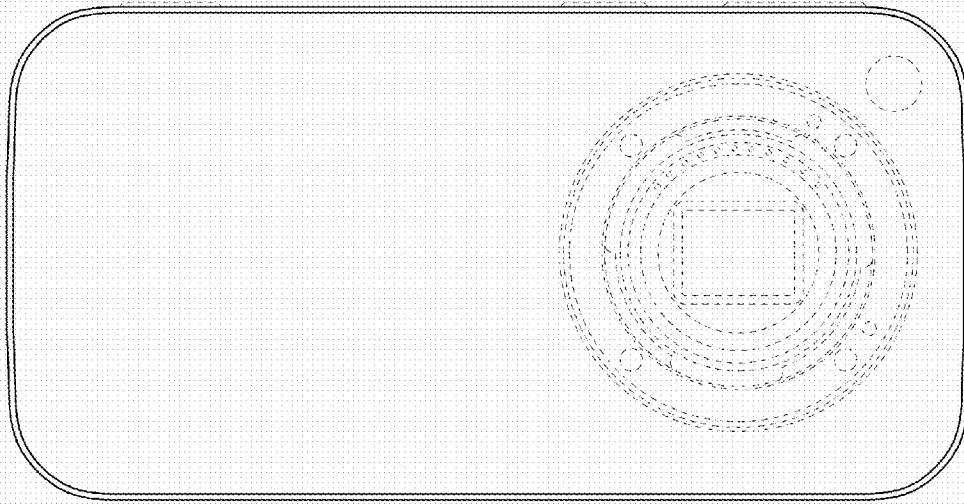


FIG.3

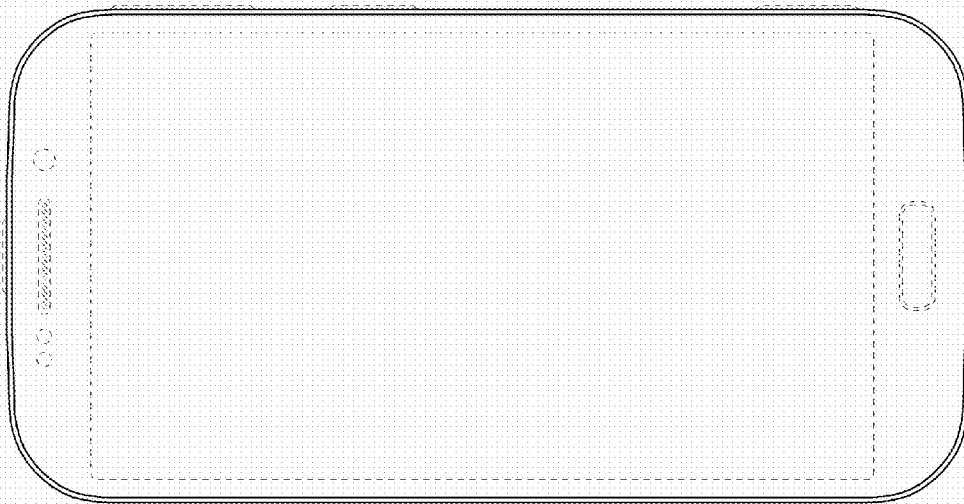


FIG.4

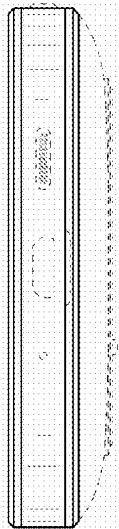


FIG.5

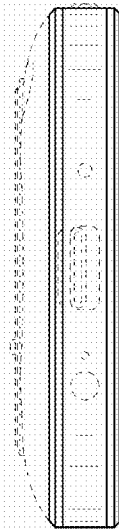


FIG.6

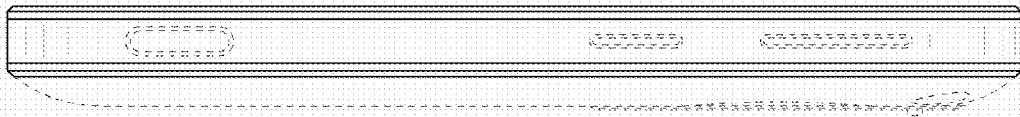


FIG.7

