



- (51) **International Patent Classification:**
H01R 25/14 (2006.01) H02G 5/00 (2006.01)
- (21) **International Application Number:**
PCT/US2011/031558
- (22) **International Filing Date:**
7 April 2011 (07.04.2011)
- (25) **Filing Language:** English
- (26) **Publication Language:** English
- (30) **Priority Data:**
61/321,665 7 April 2010 (07.04.2010) US
- (71) **Applicant (for all designated States except US):** THE WIREMOLD COMPANY [US/US]; 60 Woodlawn Street, West Hartford, Connecticut 06110 (US).
- (72) **Inventors; and**
- (75) **Inventors/Applicants (for US only):** LINNANE, Jennifer [US/US]; 585 Main Street #408, Melrose, Massachusetts 02176 (US). PARTRIDGE, Nicholas, R., [US/US]; 175 Russell Street 2L, Brooklyn, New York 11222 (US). MAKWINSKI, Mark [US/US]; 7 Meadow Road, Cromwell, Connecticut 06416 (US). SZEKRE-TAR, Raymond [US/US]; 20 Litchfield Drive, Simsbury, Connecticut 06070 (US). PRESTIGOMO, Phillip, D., [US/US]; 43 Windham Drive, Simsbury, Connecticut 06070 (US). SCHMINKE, Jan [DE/US]; 14 Ivy Street, Marshfield, Massachusetts 02050 (US).
- (74) **Agent:** CUNNINGHAM, Marina, F.; McCormick, Paulding & Huber, 185 Asylum Street, CityPlace II, 18th Floor, Hartford, Connecticut 06103-3410 (US).

- (81) **Designated States (unless otherwise indicated, for every kind of national protection available):** AE, AG, AL, AM, AO, AT, AU, AZ, BA, BB, BG, BH, BR, BW, BY, BZ, CA, CH, CL, CN, CO, CR, CU, CZ, DE, DK, DM, DO, DZ, EC, EE, EG, ES, FI, GB, GD, GE, GH, GM, GT, HN, HR, HU, ID, IL, IN, IS, JP, KE, KG, KM, KN, KP, KR, KZ, LA, LC, LK, LR, LS, LT, LU, LY, MA, MD, ME, MG, MK, MN, MW, MX, MY, MZ, NA, NG, NI, NO, NZ, OM, PE, PG, PH, PL, PT, RO, RS, RU, SC, SD, SE, SG, SK, SL, SM, ST, SV, SY, TH, TJ, TM, TN, TR, TT, TZ, UA, UG, US, UZ, VC, VN, ZA, ZM, ZW.
- (84) **Designated States (unless otherwise indicated, for every kind of regional protection available):** ARIPO (BW, GH, GM, KE, LR, LS, MW, MZ, NA, SD, SL, SZ, TZ, UG, ZM, ZW), Eurasian (AM, AZ, BY, KG, KZ, MD, RU, TJ, TM), European (AL, AT, BE, BG, CH, CY, CZ, DE, DK, EE, ES, FI, FR, GB, GR, HR, HU, IE, IS, IT, LT, LU, LV, MC, MK, MT, NL, NO, PL, PT, RO, RS, SE, SI, SK, SM, TR), OAPI (BF, BJ, CF, CG, CI, CM, GA, GN, GQ, GW, ML, MR, NE, SN, TD, TG).

Declarations under Rule 4.17:

- as to the identity of the inventor (Rule 4.17(i))

Published:

- with international search report (Art. 21(3))
- before the expiration of the time limit for amending the claims and to be republished in the event of receipt of amendments (Rule 48.2(h))

- (88) **Date of publication of the international search report:**
19 April 2012

(54) Title: CUSTOMIZABLE BUS SYSTEMS

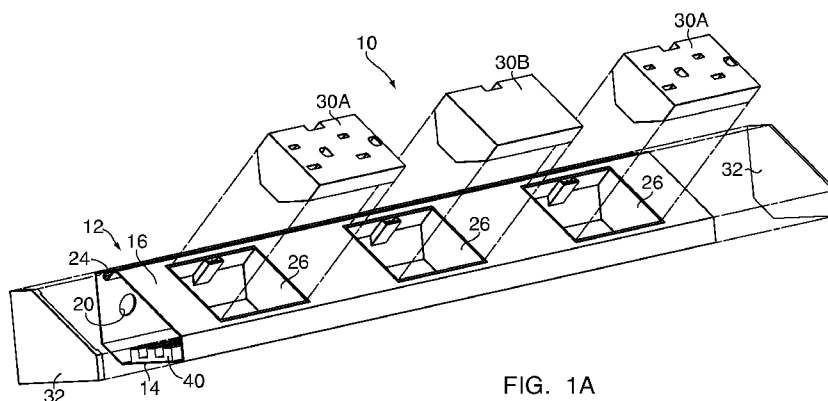


FIG. 1A

(57) **Abstract:** A customizable bus system includes a system module containing one or more accessory modules and is easily mounted along a surface in a workspace, such as the underside of a cabinet. The accessory modules provide conveniently located utility services and applications such as power, lighting or media connections, and may be interchanged within the bus system to provide particular services and applications where they are needed most. Additionally, the bus system may include a control center for controlling the operation of one or more of the accessory modules, such as manually or automatically. The bus system may also include multiple housings that are functionally linked. Additionally, the housings may be integrated with the applications and take the form of a modular stick, which can be easily installed to provide a service or application in an area, or removed and replaced by a modular stick having another desired service or application.



A. CLASSIFICATION OF SUBJECT MATTER**H01R 25/14(2006.01)i, H02G 5/00(2006.01)i**

According to International Patent Classification (IPC) or to both national classification and IPC

B. FIELDS SEARCHED

Minimum documentation searched (classification system followed by classification symbols)

H01R 25/14; H01R 25/16; H01R 29/00; H01R 13/60; H01R 4/00

Documentation searched other than minimum documentation to the extent that such documents are included in the fields searched

Korean utility models and applications for utility models

Japanese utility models and applications for utility models

Electronic data base consulted during the international search (name of data base and, where practicable, search terms used)

eKOMPASS(KIPO internal) & Keywords: bus, module, receptacle, outlet, release, remove

C. DOCUMENTS CONSIDERED TO BE RELEVANT

Category*	Citation of document, with indication, where appropriate, of the relevant passages	Relevant to claim No.
A X	US 05334033 A (HENRY MILAN) 02 August 1994 See abstract; claim 1 and figure 1.	1-39 40-48
A	US 2007-0099491 A1 (CHRESTOS T.PYRROS) 03 May 2007 See abstract; paragraphs [0081]-[0089] and figures 1-2.	1-48
A	US 2009-0023320 A1 (ENRICO DE CAROLIS et al.) 22 January 2009 See abstract; paragraphs [0031]-[0034] and figures 1-3.	1-48
A	US 2009-0163043 A1 (YANNICK DEMERS et al.) 25 June 2009 See abstract; paragraph [0022] and figure 1.	1-48

 Further documents are listed in the continuation of Box C. See patent family annex.

* Special categories of cited documents:

"A" document defining the general state of the art which is not considered to be of particular relevance

"E" earlier application or patent but published on or after the international filing date

"L" document which may throw doubts on priority claim(s) or which is cited to establish the publication date of citation or other special reason (as specified)

"O" document referring to an oral disclosure, use, exhibition or other means

"P" document published prior to the international filing date but later than the priority date claimed

"T" later document published after the international filing date or priority date and not in conflict with the application but cited to understand the principle or theory underlying the invention

"X" document of particular relevance; the claimed invention cannot be considered novel or cannot be considered to involve an inventive step when the document is taken alone

"Y" document of particular relevance; the claimed invention cannot be considered to involve an inventive step when the document is combined with one or more other such documents, such combination being obvious to a person skilled in the art

"&" document member of the same patent family


Date of the actual completion of the international search

27 FEBRUARY 2012 (27.02.2012)

Date of mailing of the international search report

28 FEBRUARY 2012 (28.02.2012)

Name and mailing address of the ISA/KR


 Korean Intellectual Property Office
 Government Complex-Daejeon, 189 Cheongsa-ro,
 Seo-gu, Daejeon 302-701, Republic of Korea

Facsimile No. 82-42-472-7140

Authorized officer

Park Jung Min

Telephone No. 82-42-481-5562



INTERNATIONAL SEARCH REPORT

Information on patent family members

International application No.

PCT/US2011/031558

Patent document cited in search report	Publication date	Patent family member(s)	Publication date
US 05334033 A	02.08.1994	US 05292257 A US 05334033 A	08.03.1994 02.08.1994
US 2007-0099491 A1	03.05.2007	CA 2538344 A1 CA 2563862 A1 CN 1783342 A CN 1783342 B CN 1783342 C CN 1783342 C0 US 2005-0042916 A1 US 2006-0094290 A1 US 2006-0095687 A1 US 2008-0188121 A1 US 2008-0294852 A1 US 2009-0053925 A1 US 2010-0112869 A1 US 2011-0076884 A1 US 6955559 B2 US 7255596 B2 US 7493454 B2 US 7575470 B2 US 7628643 B2 US 7757050 B2 WO 2005-027271 A3	24.03.2005 14.04.2007 07.06.2006 21.04.2010 21.04.2010 07.06.2006 24.02.2005 04.05.2006 04.05.2006 07.08.2008 27.11.2008 26.02.2009 06.05.2010 31.03.2011 18.10.2005 14.08.2007 17.02.2009 18.08.2009 08.12.2009 13.07.2010 24.03.2005
US 2009-0023320 A1	22.01.2009	CA 2693518 A1 CN 102047349 A EP 2183751 A1 EP 2183751 A4 US 2010-0248556 A1 US 2010-0251159 A1 US 7753740 B2 US 7896711 B2 US 7967646 B2 WO 2009-014530 A1	29.01.2009 04.05.2011 12.05.2010 23.03.2011 30.09.2010 30.09.2010 13.07.2010 01.03.2011 28.06.2011 29.01.2009
US 2009-0163043 A1	25.06.2009	CA 2710297 A1 WO 2009-079776 A1	02.07.2009 02.07.2009