



- (51) International Patent Classification:
B65D 83/38 (2006.01)
- (21) International Application Number:
PCT/EP2012/065124
- (22) International Filing Date:
2 August 2012 (02.08.2012)
- (25) Filing Language: English
- (26) Publication Language: English
- (30) Priority Data:
11176287.8 2 August 2011 (02.08.2011) EP
- (71) Applicant (for all designated States except US): **CROWN PACKAGING TECHNOLOGY, INC.** [US/US]; 11535 S Central Avenue, Alsip, Illinois 60803-2599 (US).
- (72) Inventor; and
- (75) Inventor/Applicant (for US only): **BILKO, John, Pawel** [GB/GB]; Downsview Road, Wantage, Oxfordshire OX12 9BP (GB).

(74) Agent: **SMITH, Debra**; Crown Cork & Seal Technologies Corp., Downsview Road, Wantage, Oxfordshire OX12 9BP (GB).

(81) Designated States (unless otherwise indicated, for every kind of national protection available): AE, AG, AL, AM, AO, AT, AU, AZ, BA, BB, BG, BH, BN, BR, BW, BY, BZ, CA, CH, CL, CN, CO, CR, CU, CZ, DE, DK, DM, DO, DZ, EC, EE, EG, ES, FI, GB, GD, GE, GH, GM, GT, HN, HR, HU, ID, IL, IN, IS, JP, KE, KG, KM, KN, KP, KR, KZ, LA, LC, LK, LR, LS, LT, LU, LY, MA, MD, ME, MG, MK, MN, MW, MX, MY, MZ, NA, NG, NI, NO, NZ, OM, PE, PG, PH, PL, PT, QA, RO, RS, RU, RW, SC, SD, SE, SG, SK, SL, SM, ST, SV, SY, TH, TJ, TM, TN, TR, TT, TZ, UA, UG, US, UZ, VC, VN, ZA, ZM, ZW.

(84) Designated States (unless otherwise indicated, for every kind of regional protection available): ARIPO (BW, GH, GM, KE, LR, LS, MW, MZ, NA, RW, SD, SL, SZ, TZ, UG, ZM, ZW), Eurasian (AM, AZ, BY, KG, KZ, RU, TJ, TM), European (AL, AT, BE, BG, CH, CY, CZ, DE, DK, EE, ES, FI, FR, GB, GR, HR, HU, IE, IS, IT, LT, LU, LV,

[Continued on next page]

(54) Title: AEROSOL CAN

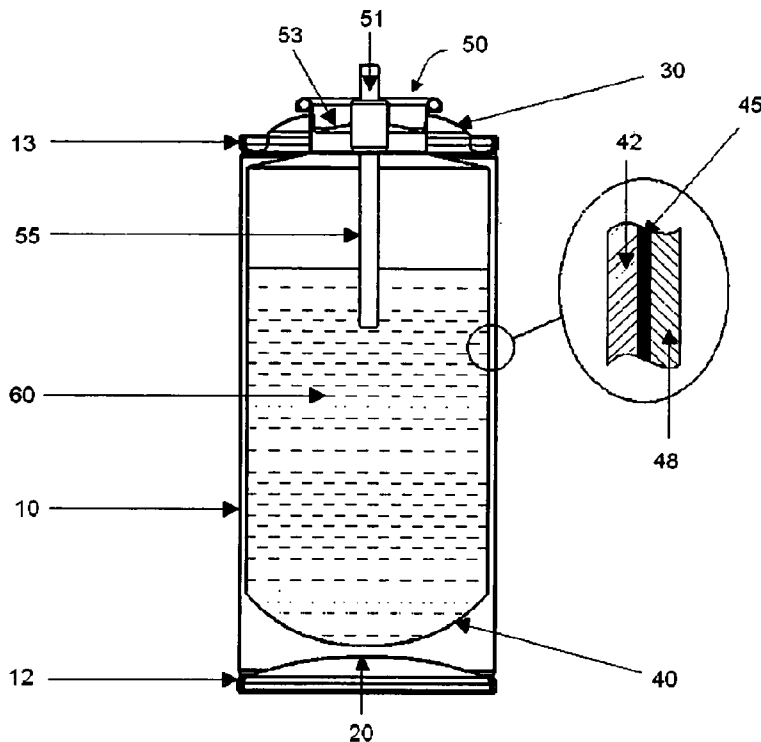


Fig. 2

(57) Abstract: The invention provides an aerosol container having an outer container body (10) with a plastic liner or bag (40) arranged therein, into which both product and propellant are filled, characterised in that the plastic liner or bag (40) has a multi-layer construction. The liner or bag (40) comprises a layer that is resistant to the product and a layer that prevents diffusion of the propellant out of the liner or bag (40). Further layers may also be incorporated to provide additional properties as required, for example an oxygen barrier, scavenging etc. Furthermore, one or more tie-layers, such as adhesive for example, may be provided to hold the separate layers together.





MC, MK, MT, NL, NO, PL, PT, RO, RS, SE, SI, SK,
SM, TR), OAPI (BF, BJ, CF, CG, CI, CM, GA, GN, GQ,
GW, ML, MR, NE, SN, TD, TG).

— before the expiration of the time limit for amending the
claims and to be republished in the event of receipt of
amendments (Rule 48.2(h))

Published:

— with international search report (Art. 21(3))

(88) Date of publication of the international search report:

4 April 2013

INTERNATIONAL SEARCH REPORT

International application No
PCT/EP2012/065124

A. CLASSIFICATION OF SUBJECT MATTER
INV. B65D83/38
ADD.

According to International Patent Classification (IPC) or to both national classification and IPC

B. FIELDS SEARCHED
Minimum documentation searched (classification system followed by classification symbols)
B65D

Documentation searched other than minimum documentation to the extent that such documents are included in the fields searched

Electronic data base consulted during the international search (name of data base and, where practicable, search terms used)
EPO-Internal

C. DOCUMENTS CONSIDERED TO BE RELEVANT

Category*	Citation of document, with indication, where appropriate, of the relevant passages	Relevant to claim No.
X	WO 02/072449 A1 (GLAXO GROUP LTD [GB]; CHAN SANDRA [GB]; BURT PETER COLIN WESTON [GB]) 19 September 2002 (2002-09-19)	1-6
Y	page 2 - page 6	7-10
X	US 2007/272768 A1 (WILLIAMS DONALD R [US] ET AL) 29 November 2007 (2007-11-29)	1-6
Y	paragraph [0035]; figure 1	7-10

Further documents are listed in the continuation of Box C.

See patent family annex.

* Special categories of cited documents :

- "A" document defining the general state of the art which is not considered to be of particular relevance
- "E" earlier application or patent but published on or after the international filing date
- "L" document which may throw doubts on priority claim(s) or which is cited to establish the publication date of another citation or other special reason (as specified)
- "O" document referring to an oral disclosure, use, exhibition or other means
- "P" document published prior to the international filing date but later than the priority date claimed

- "T" later document published after the international filing date or priority date and not in conflict with the application but cited to understand the principle or theory underlying the invention
- "X" document of particular relevance; the claimed invention cannot be considered novel or cannot be considered to involve an inventive step when the document is taken alone
- "Y" document of particular relevance; the claimed invention cannot be considered to involve an inventive step when the document is combined with one or more other such documents, such combination being obvious to a person skilled in the art
- "&" document member of the same patent family

Date of the actual completion of the international search

17 January 2013

Date of mailing of the international search report

05/02/2013

Name and mailing address of the ISA/

European Patent Office, P.B. 5818 Patentlaan 2
NL - 2280 HV Rijswijk
Tel. (+31-70) 340-2040,
Fax: (+31-70) 340-3016

Authorized officer

Eberwein, Michael

INTERNATIONAL SEARCH REPORT

Information on patent family members

International application No

PCT/EP2012/065124

Patent document cited in search report	Publication date	Patent family member(s)	Publication date
WO 02072449	A1	19-09-2002	
		AT 346804 T	15-12-2006
		DE 60216423 T2	20-09-2007
		EP 1368255 A1	10-12-2003
		ES 2275836 T3	16-06-2007
		JP 2004528077 A	16-09-2004
		US 2004134824 A1	15-07-2004
		US 2009188492 A1	30-07-2009
		WO 02072449 A1	19-09-2002

US 2007272768	A1	29-11-2007	
		US 2007272768 A1	29-11-2007
		WO 2007140124 A2	06-12-2007
