



US0D1077985S

(12) **United States Design Patent**
Rea

(10) **Patent No.:** **US D1,077,985 S**

(45) **Date of Patent:** **** Jun. 3, 2025**

(54) **POKER FAUCET**
(71) Applicant: **AnnMarie Rea**, Lindenhurst, NY (US)
(72) Inventor: **AnnMarie Rea**, Lindenhurst, NY (US)
(**) Term: **15 Years**

D588,234 S * 3/2009 Urso D23/242
D685,062 S * 6/2013 Ritche D23/242
D705,904 S * 5/2014 Shapiro D23/238
D809,105 S * 1/2018 Cheng D23/242
D844,115 S * 3/2019 Burton D23/251

* cited by examiner

(21) Appl. No.: **29/915,083**
(22) Filed: **Oct. 25, 2023**
(51) **LOC (15) Cl.** **23-01**
(52) **U.S. Cl.**
USPC **D23/242; D23/251**

Primary Examiner — Justin C Dodson
Assistant Examiner — Matthew Bird
(74) *Attorney, Agent, or Firm* — Sanchelima & Associates, P.A.; Jesus Sanchelima; Christian Sanchelima

(58) **Field of Classification Search**
USPC D23/213, 226, 238, 239, 240, 241, 242, D23/243, 244, 245, 246, 247, 248, 249, D23/250, 251, 252, 253, 254, 255, 256, D23/257, 262, 263, 264, 499; D7/398; D8/300, 307, 308, 350, 352
CPC E03C 1/00; E03C 1/01; E03C 1/02; E03C 1/023; E03C 1/04; E03C 1/0401; E03C 1/0403; E03C 1/0404; E03C 1/0405; E03C 1/0407; E03C 1/0412; E03C 1/042; E03C 1/05; E03C 2001/026; F16K 31/60; F16K 31/602; F16K 31/605; F16K 31/607; F16K 11/0787; Y10T 137/6014; Y10T 137/6017; Y10T 137/6024; Y10T 137/9464

(57) **CLAIM**

The ornamental design for a poker faucet as shown and described.

See application file for complete search history.

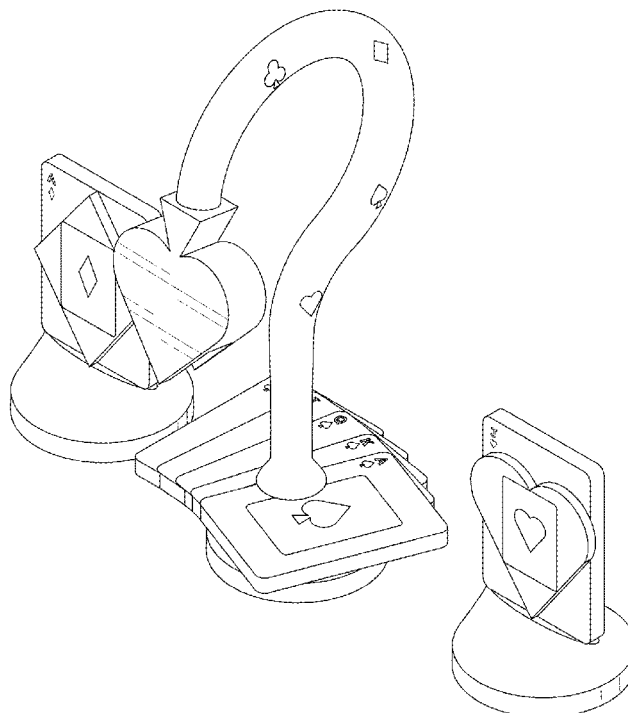
DESCRIPTION

FIG. 1 is an isometric view of a poker faucet showing my new design;
FIG. 2 is a front elevational view thereof;
FIG. 3 is a top plan view thereof;
FIG. 4 is a bottom plan view thereof;
FIG. 5 is a right elevational view thereof;
FIG. 6 is a left side elevational view thereof; and,
FIG. 7 is a rear elevational view thereof showing my design.
The elements in broken lines represent components of the poker faucet that form no part of the claimed design.

(56) **References Cited**
U.S. PATENT DOCUMENTS

D298,161 S * 10/1988 Garcia D21/616
D570,958 S * 6/2008 Lee D23/238

1 Claim, 6 Drawing Sheets



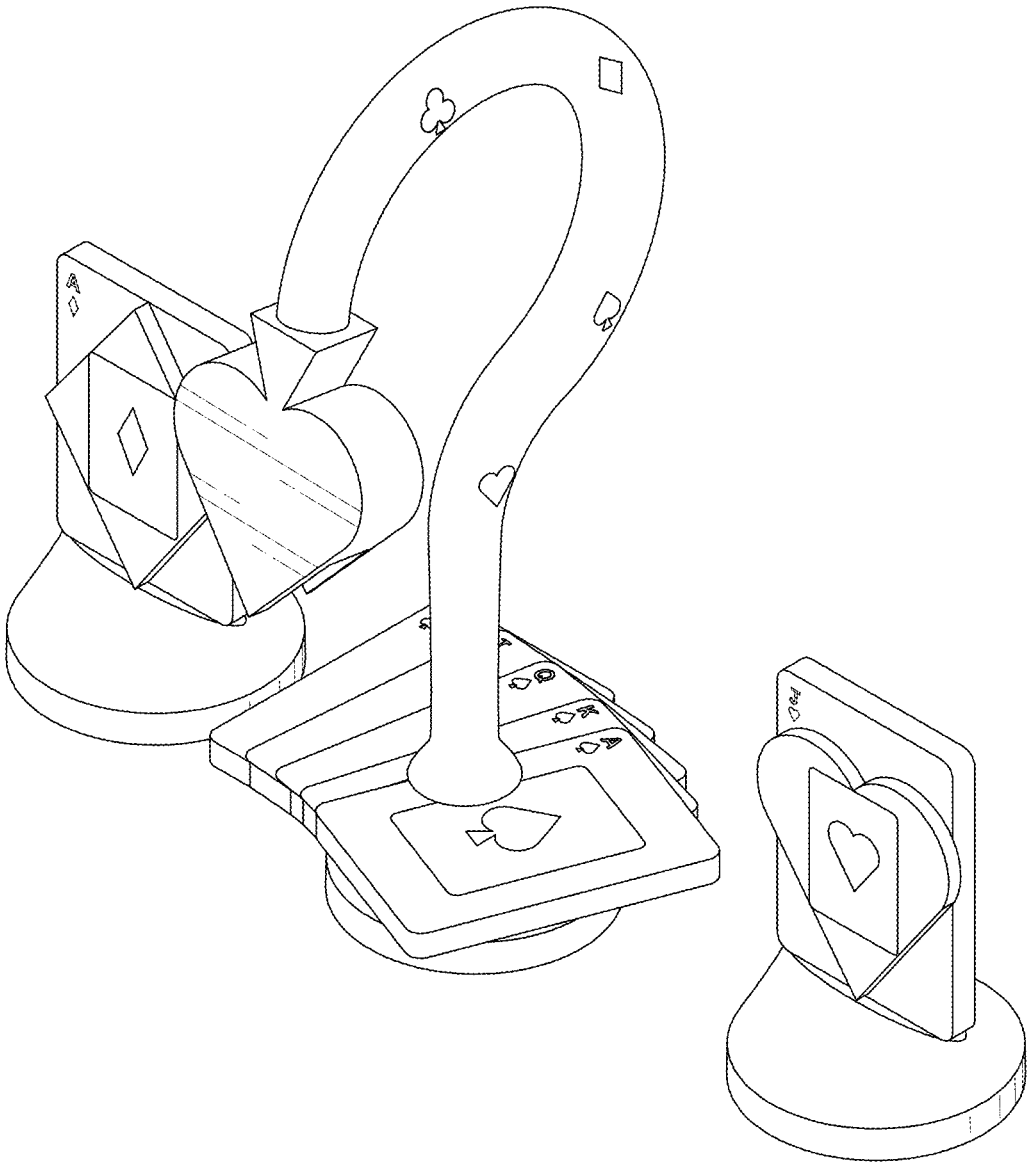


FIG. 1

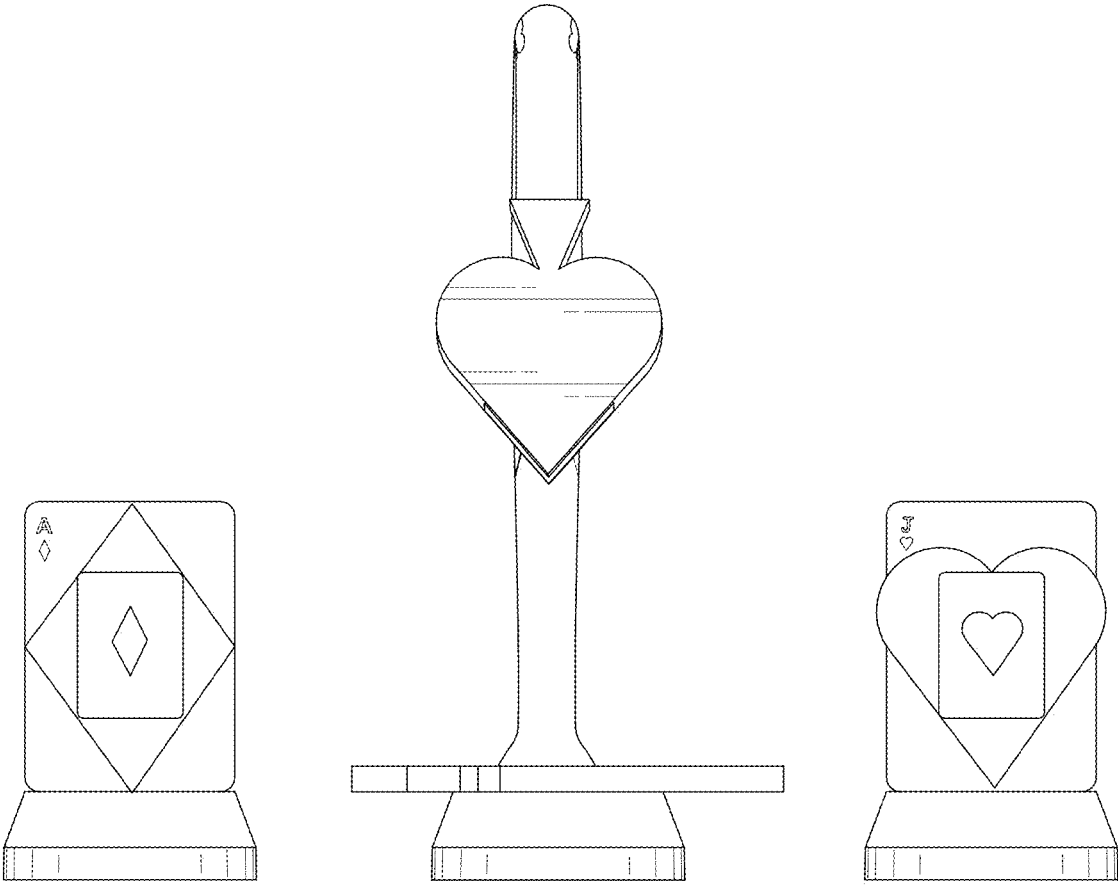


FIG. 2

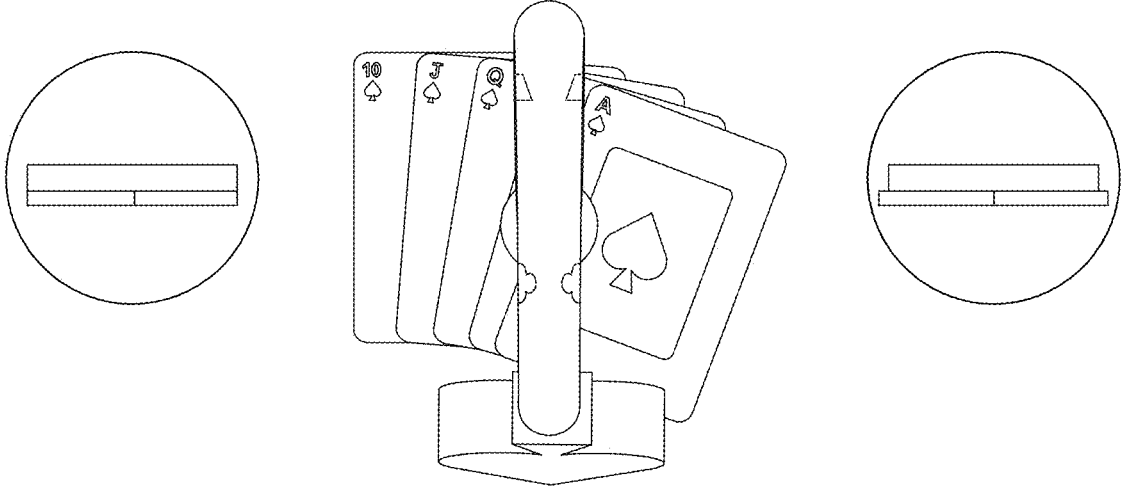


FIG. 3

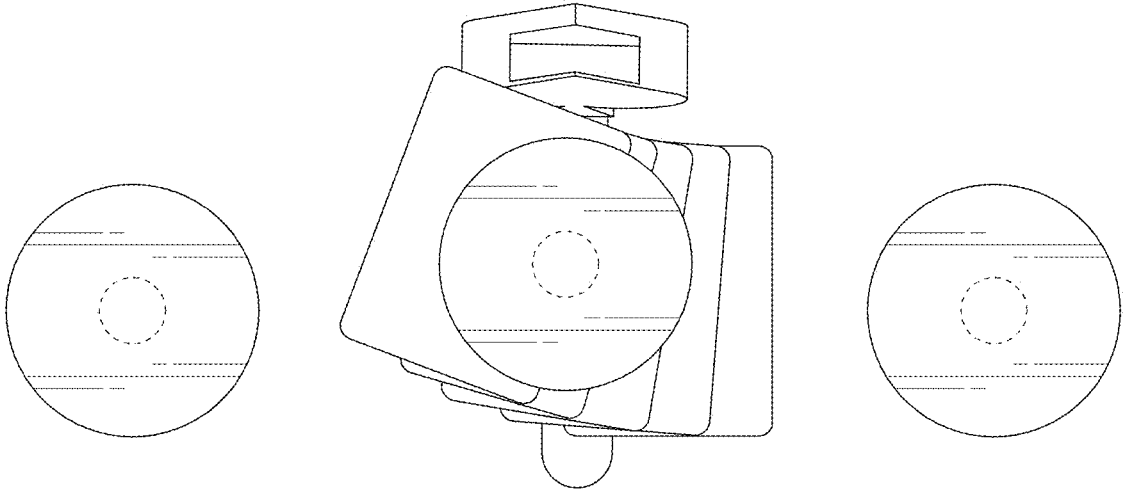


FIG. 4

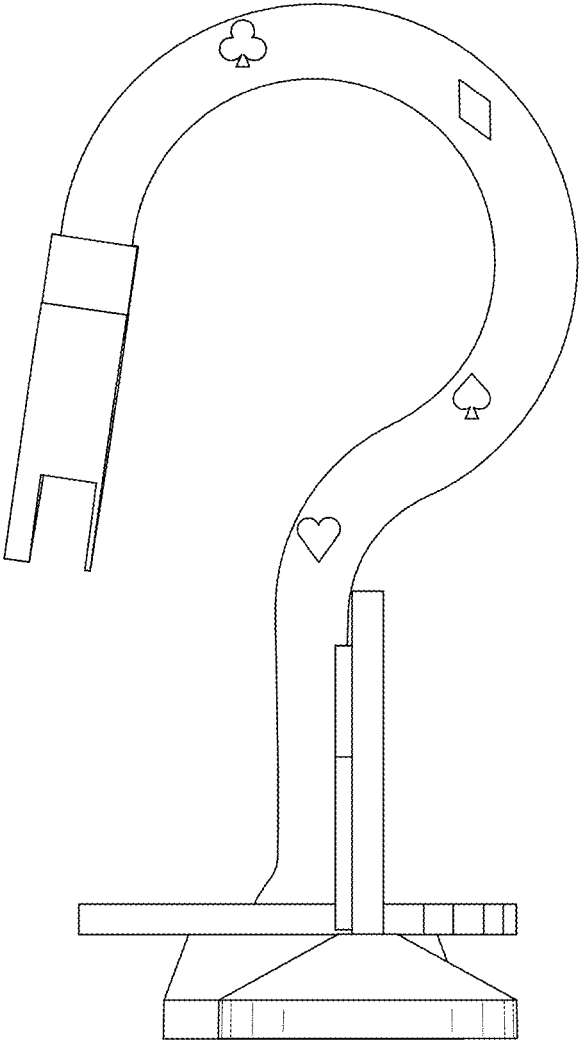


FIG. 5

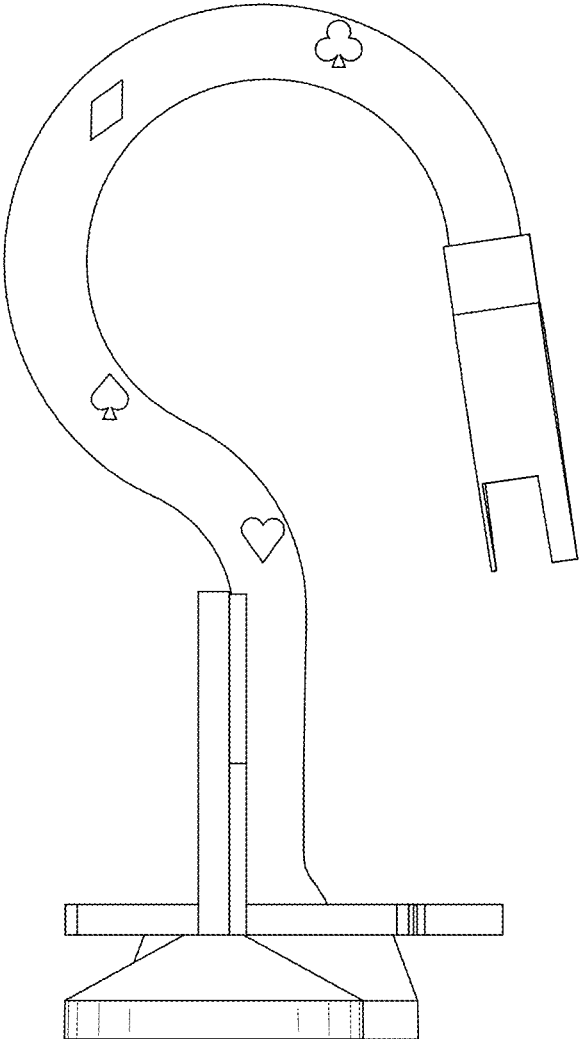


FIG. 6

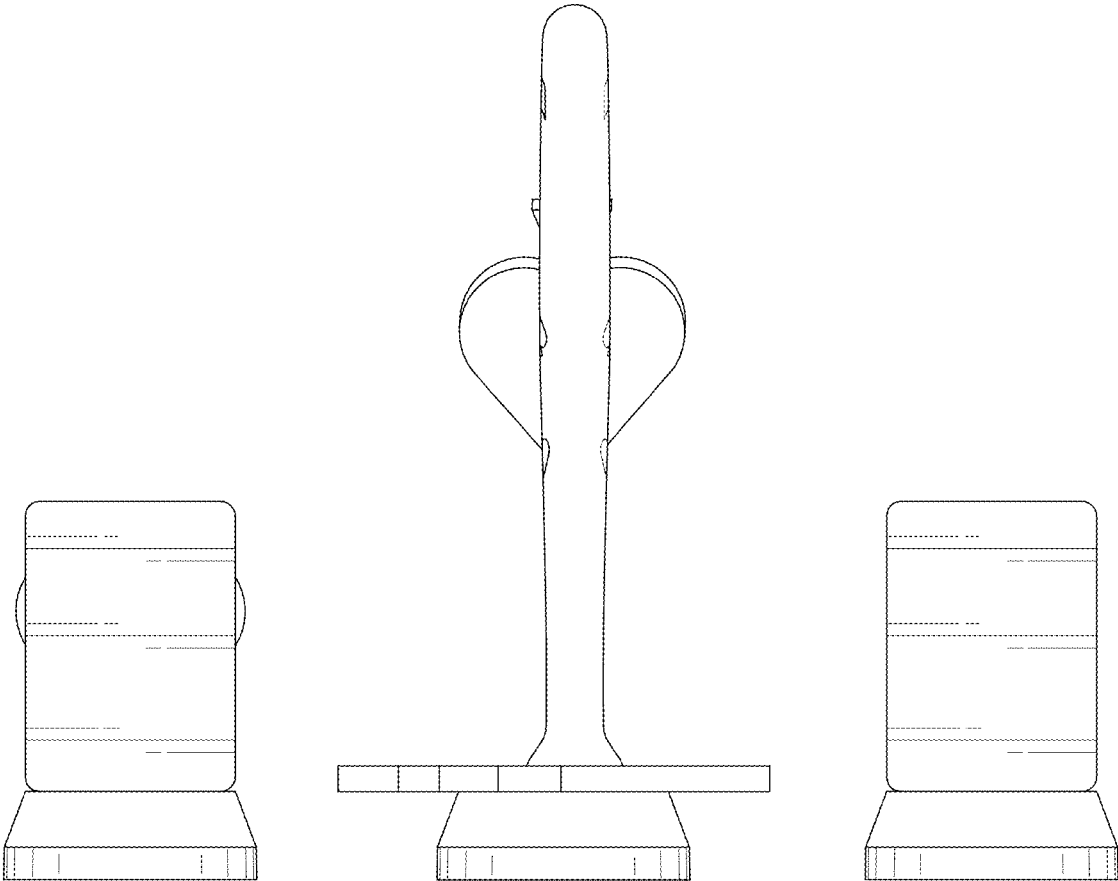


FIG. 7