



(51) International Patent Classification:
A47K 10/38 (2006.01)

(21) International Application Number:
PCT/US2013/041927

(22) International Filing Date:
21 May 2013 (21.05.2013)

(25) Filing Language: English

(26) Publication Language: English

(30) Priority Data:
61/649,536 21 May 2012 (21.05.2012) US
13/832,750 15 March 2013 (15.03.2013) US

(71) Applicant: **GOJO INDUSTRIES, INC.** [US/US]; One Gojo Plaza, Suite 500, P.o. Box 991, Akron, OH 44309 (US).

(72) Inventor: **RAY, Eugene, W.**; 1178 Noble Avenue, Barberton, OH 44203 (US).

(74) Agent: **BONNER, Chet, J.**; Calfee, Halter & Griswold LLP, The Calfee Building, 1405 East Sixth St., Cleveland, OH 44114 (US).

(81) Designated States (unless otherwise indicated, for every kind of national protection available): AE, AG, AL, AM, AO, AT, AU, AZ, BA, BB, BG, BH, BN, BR, BW, BY, BZ, CA, CH, CL, CN, CO, CR, CU, CZ, DE, DK, DM, DO, DZ, EC, EE, EG, ES, FI, GB, GD, GE, GH, GM, GT, HN, HR, HU, ID, IL, IN, IS, JP, KE, KG, KM, KN, KP, KR, KZ, LA, LC, LK, LR, LS, LT, LU, LY, MA, MD, ME, MG, MK, MN, MW, MX, MY, MZ, NA, NG, NI, NO, NZ, OM, PA, PE, PG, PH, PL, PT, QA, RO, RS, RU, RW, SC, SD, SE, SG, SK, SL, SM, ST, SV, SY, TH, TJ, TM, TN, TR, TT, TZ, UA, UG, US, UZ, VC, VN, ZA, ZM, ZW.

(84) Designated States (unless otherwise indicated, for every kind of regional protection available): ARIPO (BW, GH, GM, KE, LR, LS, MW, MZ, NA, RW, SD, SL, SZ, TZ, UG, ZM, ZW), Eurasian (AM, AZ, BY, KG, KZ, RU, TJ, TM), European (AL, AT, BE, BG, CH, CY, CZ, DE, DK, EE, ES, FI, FR, GB, GR, HR, HU, IE, IS, IT, LT, LU, LV,

[Continued on next page]

(54) Title: WIPES DISPENSER NOZZLE

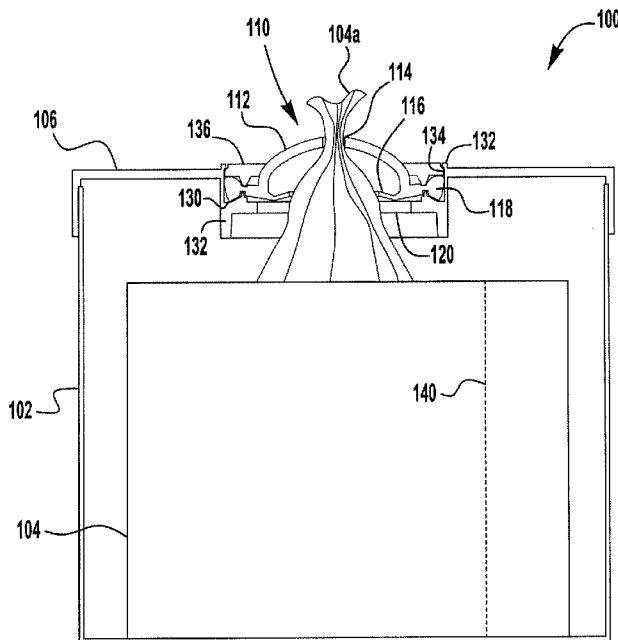


FIG. 1

(57) Abstract: One embodiment for dispensers for dispensing wet wipes includes a container, a plurality of wet wipes contained within the container and a dispensing nozzle made of a resilient material secured to the container. The dispensing nozzle includes an outlet opening in the nozzle. A fluid retaining member is located at a point below the opening. Another embodiment includes a container for holding a plurality of wipes. A dispensing nozzle includes a resilient member having an outlet opening is secured to the container. A fluid retaining member is located below the outlet. In one embodiment, the fluid retaining member has a surface that is sloped. Embodiments of dispensing nozzles for wet wipes are also disclosed wherein the dispensing nozzle includes a resilient dome shaped member having an opening located therein. In addition, the dispensing nozzle includes an annular fluid retaining member. The annular fluid retaining member may have a sloped surface.

MC, MK, MT, NL, NO, PL, PT, RO, RS, SE, SI, SK, **Published:**
SM, TR), OAPI (BF, BJ, CF, CG, CI, CM, GA, GN, GQ, — *without international search report and to be republished*
GW, ML, MR, NE, SN, TD, TG). *upon receipt of that report (Rule 48.2(g))*

Declarations under Rule 4.17:

— *of inventorship (Rule 4.17(iv))*

WIPES DISPENSER NOZZLE

RELATED APPLICATIONS

[0001] This application claims priority to and the benefits of U.S. Non-Provisional Patent Application Serial No. 13/832,750 filed on March 15, 2013 and entitled WIPES DISPENSER NOZZLE and also claims priority to and the benefits of U.S. Provisional Patent Application Serial No 61/649,536 filed on May 21, 2012, also entitled WIPES DISPENSER NOZZLE. These applications are incorporated herein by reference in its entirety.

TECHNICAL FIELD

[0002] The present invention generally relates to dispensers for dispensing wipes or moist towelettes. More particularly, the present invention relates to dome dispensing nozzles.

BACKGROUND OF THE INVENTION

[0003] Wipes are typically made from a variety of materials, such as non-woven materials. Wipes are often moistened with solutions, such as antimicrobial solutions. The wipes may be stacked and folded in a container or may be in the form of a roll. Wipes in the form of a roll typically have perforations between the wipes that are strong enough to remain attached to one another so that the top of the trailing wipe is pulled up through a dispensing outlet prior to the perforations tearing away and allowing the leading wipe to be used. Accordingly, the top of the trailing wipe may be grabbed by a user and pulled out of the container.

SUMMARY

[0004] Embodiments for dispensers for dispensing wet wipes are disclosed herein. One exemplary embodiment includes a container, a plurality of wet wipes contained within the container and a dispensing nozzle made of a resilient material secured to the container. The dispensing nozzle includes an outlet opening in the nozzle. A fluid retaining member is located at a point below the opening.

[0005] Another exemplary embodiment includes a container for holding a plurality of wipes. A dispensing nozzle is secured to the container. The dispensing nozzle includes a resilient member having an outlet opening. A fluid retaining member is located below the outlet. In one embodiment the fluid retaining member has a surface that is sloped.

[0006] Embodiments of dispensing nozzles for wet wipes are also disclosed wherein the dispensing nozzle includes a resilient dome shaped member having an opening located therein. In addition, the dispensing nozzle includes an annular fluid retaining member. The annular fluid retaining member may have a sloped surface.

BRIEF DESCRIPTION OF THE DRAWINGS

[0007] These and other features and advantages of the present invention will become better understood with regard to the following description, and accompanying drawings where:

[0008] Figure 1 illustrates a cross-sectional view of an embodiment of a wipes dispenser having a nozzle and a fluid retaining member;

[0009] Figure 2 illustrates a cap with a wipes dispensing nozzle located therein;

[0010] Figure 3 illustrates a cross-sectional view of an alternative embodiment of a nozzle and a fluid retaining member; and

[0011] Figure 4 illustrates a cross-sectional view of a support ring for use with the nozzle and fluid retaining member of Figure 3.

DETAILED DESCRIPTION

[0012] Figures 1 and 2 illustrate an exemplary embodiment of a wet wipes dispenser 100. Wipes dispenser 100 includes a container 102. Located inside of container 102 is a roll of wipes 104. The roll of wipes 104 has periodic perforations 140 that are used to separate individual wipes from the roll of wipes. In one embodiment, the wipes are individual wipes that are folded together such that the leading wipe pulls the trailing wipe through the opening before the two wipes separate. Wipes dispenser 100 includes a cap 106 secured to container 102. Cap 106 may be secured to container 102 by any means such as, for example, a threaded connection, a welded connection, a snap-fit connection, an adhesive bonding connection or the like.

[0013] Cap 106 includes a recessed portion 132 that has an aperture 120 to allow wipes 104a to pass therethrough. In addition, recessed portion 132 has a support ledge 130. Support ledge 130 supports an annular projection 118 of a dispensing nozzle 110.

[0014] Dispensing nozzle 110 is made of a resilient material such as, for example, silicon. Dispensing nozzle 110 includes a dome 112 that has a narrow aperture or opening 114 therethrough. Opening 114 has a circular cross-section that may expand as needed to allow the wipe 104a to be pulled through the opening 114. Nozzle 110 includes a fluid retaining member 116. Fluid retaining member 116 is an annular member that has a sloped surface. In one embodiment, the sloped surface traps and holds liquid. As shown, fluid retaining member 116 is integrally molded with dome 112; however, fluid retaining member 116 may optionally be a separate part.

[0015] Wipes dispenser 100 includes a retaining ring 136. Retaining ring 136 secures dispensing nozzle 110 to cap 106. Retaining ring 136 is retained with a snap-fit connection by projection 132 on cap 106 and projection 134 on retaining ring 136.

[0016] In one embodiment, cap 106 may include a snap cover (not shown). If a snap cover is provided, a hinged member may fit in opening 204 wherein projections extending from the cover fit into apertures 206 so that the cover may rotate. On the other side of the cover would be a snap connector that would snap into slot 202 to maintain the cover in a closed position. In embodiments where no cover is used, opening 204 and slot 202 may be eliminated.

[0017] During operation, wipe 104a is pulled up through dispensing nozzle 110. As wipe 104a is pulled up through narrow opening 114 of dispensing nozzle 110, liquid is squeezed or rung out of the wipe 104a. The liquid travels along the inside of dome 112 and runs down to fluid retaining member 116. The liquid contacts a portion of the wipe 104a that is passing by fluid retaining member 116 to re-wet the wipe 104a. Thus, fluid retaining member 116 helps ensure that all of the wipe 104a is wet. In addition, fluid retaining member 116 may hold liquid for a longer period of time and help keep the wipe 104a from drying out between uses. In one embodiment, fluid retaining member 116 and the size of opening 114 combine to eliminate the need for a re-closable cover (not shown) on cap 106.

[0018] In addition, during operation when a wipe is pulled through an orifice, liquid is often expelled from the wipe in the form of a spray, especially when the wipe is pulled

from the container rapidly. In one embodiment, fluid retaining member 116 prevents the expelled liquid from spraying.

[0019] Figures 3 and 4 respectively illustrate an alternative embodiment of a dispensing nozzle 310 and a support ring 450 for use with the dispensing nozzle 310. Dispensing nozzle 310 is made of a resilient material such as, for example, silicon. Dispensing nozzle 310 includes a dome 312 that has a narrow aperture or opening 314 therethrough. Opening 314 has a circular cross-section that may expand as needed to allow a wipe 104a (not shown) to be pulled through the opening 314. Nozzle 310 includes a fluid retaining member 316. Fluid retaining member 316 is an annular member that has a non-sloped, horizontal surface. In one embodiment, the horizontal surface 316 traps and holds liquid. As shown, fluid retaining member 316 is integrally molded with dome 312; however, fluid retaining member 316 may optionally be a separate part. Dispensing nozzle 310 has an annular projection 350 underneath the dome 312. The annular projection 350 has an upwardly extending flange 352 on an outer end in order for the nozzle 310 to be received within the support ring 450, as described below.

[0020] Support ring 450 has a rim 452 for engagement with a cap (not shown) of a wet wipes dispenser. Support ring 450 includes a central opening 454 to allow wipes 104a to pass therethrough. An annular projection 456 extends down from the rim 452 in order to support the dispensing nozzle 310 within the central opening 454. Annular projection 456 has an inner diameter D_1 which is substantially equal to the outer diameter D_0 of the annular portion 350 of the dispensing nozzle 310 to provide a squeeze fit of the nozzle 310 within the annular projection 456. Annular projection 456 further includes a ring 458 extending inwardly from the annular projection 456 to end at an inner lip 460. Ring 458 and lip 460 form a receptacle 462 which receives the flange 352 of the nozzle 310 in a squeeze fit, helping to secure the nozzle 310 in place. Dispensing nozzle 310 may additionally or alternatively be secured to the support ring 450 by any other means such as, for example, a threaded connection, a welded connection, a snap-fit connection, an adhesive bonding connection, or the like.

[0021] As discussed above in connection with the cap 106, the supporting ring 450 may include elements for connecting to an optional snap cover (not shown).

[0022] During operation, wipe 104a is pulled up through dispensing nozzle 310. As wipe 104a is pulled up through narrow opening 314 of dispensing nozzle 310, liquid is squeezed or rung out of the wipe 104a. The liquid travels along the inside of dome 312 and runs down to fluid retaining member 316. The liquid contacts a portion of the wipe 104a that is passing by fluid retaining member 316 to re-wet the wipe 104a. Thus, fluid retaining member 316 helps ensure that all of the wipe 104a is wet. In addition, fluid retaining member 316 may hold liquid for a longer period of time and help keep the wipe 104a from drying out between uses. In one embodiment, fluid retaining member 316 and the size of opening 314 combine to eliminate the need for a re-closable cover (not shown) to be disposed over nozzle 310 and supporting ring 450.

[0023] In addition, during operation when a wipe is pulled through an orifice, liquid is often expelled from the wipe in the form of a spray, especially when the wipe is pulled from the container rapidly. In one embodiment, fluid retaining member 316 prevents the expelled liquid from spraying.

[0024] Although the nozzle embodiments 110 and 310 illustrated herein have a dome shape, other shapes are contemplated such as, for example, a conical shape. In addition, fluid retaining members 116 and 316 may have shapes that are not annular. In one exemplary embodiment, the opening of fluid retaining member 116 or 316 is a longitudinal slit. In another, the opening of fluid retaining member 116 or 316 has a star shape. Other optional shapes include polygonal openings and sinusoidal slits.

[0025] While the present invention has been illustrated by the description of embodiments thereof, and while the embodiments have been described in considerable detail, it is not the intention of the applicant to restrict or in any way limit the scope of the appended claims to such detail. Additional advantages and modifications will readily appear to those skilled in the art. For example, the fluid retaining member may be separate from the dome nozzle. Therefore, the invention, in its broader aspects, is not limited to the specific details, the representative apparatus and illustrative examples shown and described. Accordingly, departures may be made from such details without departing from the spirit or scope of the applicant's general inventive concept.

[0026] While the present invention has been illustrated by the description of embodiments thereof, and while the embodiments have been described in considerable detail,

it is not the intention of the applicant to restrict or in any way limit the scope of the appended claims to such detail. Additional advantages and modifications will readily appear to those skilled in the art. For example, the fluid retaining member may be separate from the dome nozzle. Therefore, the invention, in its broader aspects, is not limited to the specific details, the representative apparatus and illustrative examples shown and described. Accordingly, departures may be made from such details without departing from the spirit or scope of the applicant's general inventive concept.

CLAIMS

I/we claim:

1. A dispenser (100) for dispensing wet wipes (104a) comprising:
 - a container (102);
 - a plurality of wet wipes (104a) contained within the container (102);
 - a dispensing nozzle (110) (310) made of a resilient material secured to the container (102);
 - an outlet opening (114) (314) in the dispensing nozzle(1120) (310);
 - and
 - a fluid retaining member (116) (316) located at a point below the outlet opening (114) (314).
2. The dispenser of claim 1 wherein the fluid retaining member (116) (316) and dispensing nozzle (110) (310) are a unitary member.
3. The dispenser of claim 1 wherein the dispensing nozzle (110) (310) and fluid retaining member (116) (316) comprise silicon.
4. The dispenser of claim 1 wherein the retaining member (116) (316) has a sloped surface.
5. The dispenser of claim 1 wherein the dispensing nozzle (110) (310) is in the form of a dome and the outlet opening (114) (314) is round.
6. The dispenser of claim 5 further comprising a cap (106) for the container (102), wherein the dispensing nozzle (110) (310) is located in the cap (106) and held in place by a retaining ring (136) (450).
7. The dispenser of claim 1 wherein the fluid retaining member (116) (316) is annular.
8. A wet wipes (104a) dispenser (100) comprising:
 - a container (102) for holding a plurality of wipes (104a); and
 - a dispensing nozzle (110) (310) secured to the container (102);

the dispensing nozzle (110) (310) comprising a resilient member having an outlet (114) (314); and
a fluid retaining member (116) (316) located below the outlet (114) (314);
wherein the fluid retaining member (116) (316) is configured to contact a wipe (104a) as it is being dispensed.

9. The wet wipes dispenser (100) of claim 8 further comprising a plurality of wipes (104a).
10. The wet wipes dispenser (100) of claim 8 wherein the fluid retaining member (116) (316) and dispensing nozzle (110) (310) are a unitary member.
11. The wet wipes dispenser (100) of claim 8 wherein the dispensing nozzle (110) (310) and the fluid retaining member (116) (316) comprise silicon.
12. The wet wipes dispenser (100) of claim 8 wherein the retaining member (116) (316) has a sloped surface.
13. The wet wipes dispenser (100) of claim 8 wherein the dispensing nozzle (110) (310) is in the form of a dome and the outlet (114) (314) is round.
14. A dispensing nozzle (110) (310) for wet wipes (104a) comprising:
a resilient dome shaped member (112) (312);
an outlet opening (114) (314) located in the dome shaped member (112) (313);
and
an annular fluid retaining member (116) (316);
wherein the annular fluid retaining member (116) (316) is configured to contact a wipe (104a) as it is being pulled out of the dispensing nozzle (110) (310).
15. The dispensing nozzle (110) (310) of claim 14 further comprising a container (102) and a roll of wipes (104a).
16. The dispensing nozzle (110) (310) of claim 14 wherein the fluid retaining member (116) (316) and resilient dome shaped (112) (312) member are a unitary piece.

17. The dispensing nozzle (110) (310) of claim 14 wherein the dispensing nozzle (110) (310) and fluid retaining member (116) (316) comprise silicon.
18. The dispensing nozzle (110) (310) of claim 14 wherein the fluid retaining member (116) (316) has a sloped surface.
19. The dispensing nozzle (110) (310) of claim 14 wherein the outlet opening (114) (314) is round.
20. The dispensing nozzle (110) (310) of claim 14 further comprising a cap (106) for the container (102), wherein the dispensing nozzle (110) (310) is located in the cap (106) and held in place by a retaining ring (136) (458).

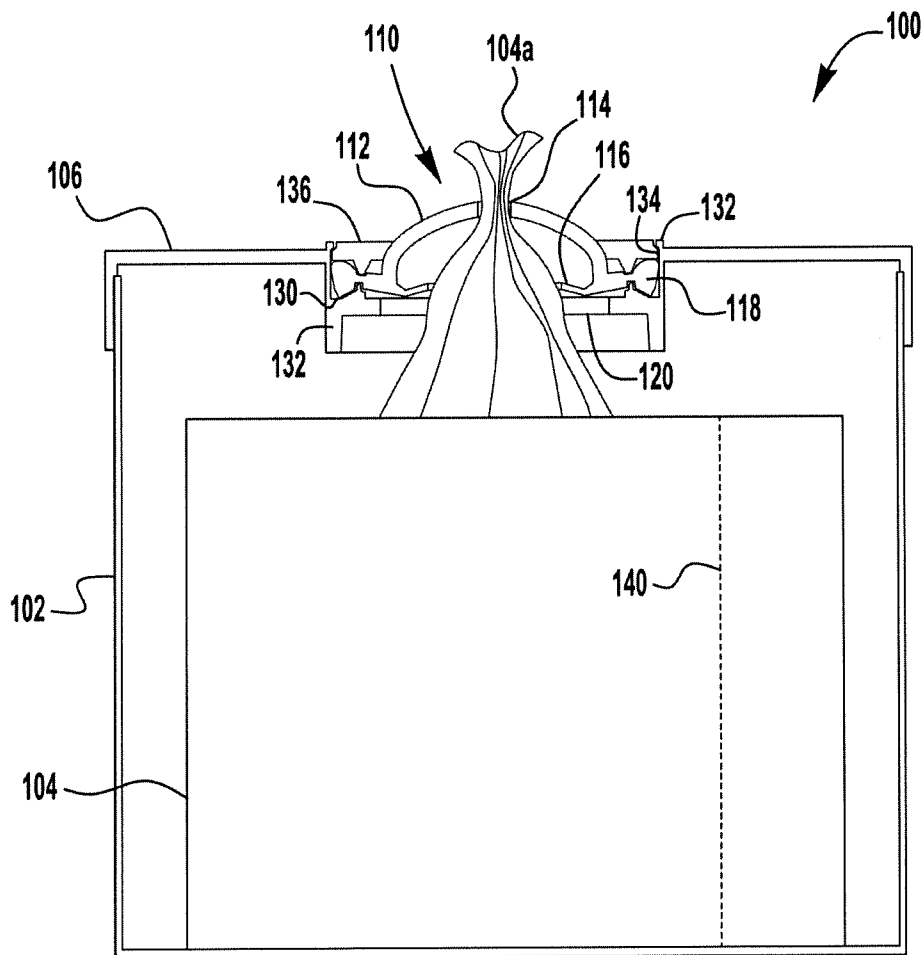


FIG. 1

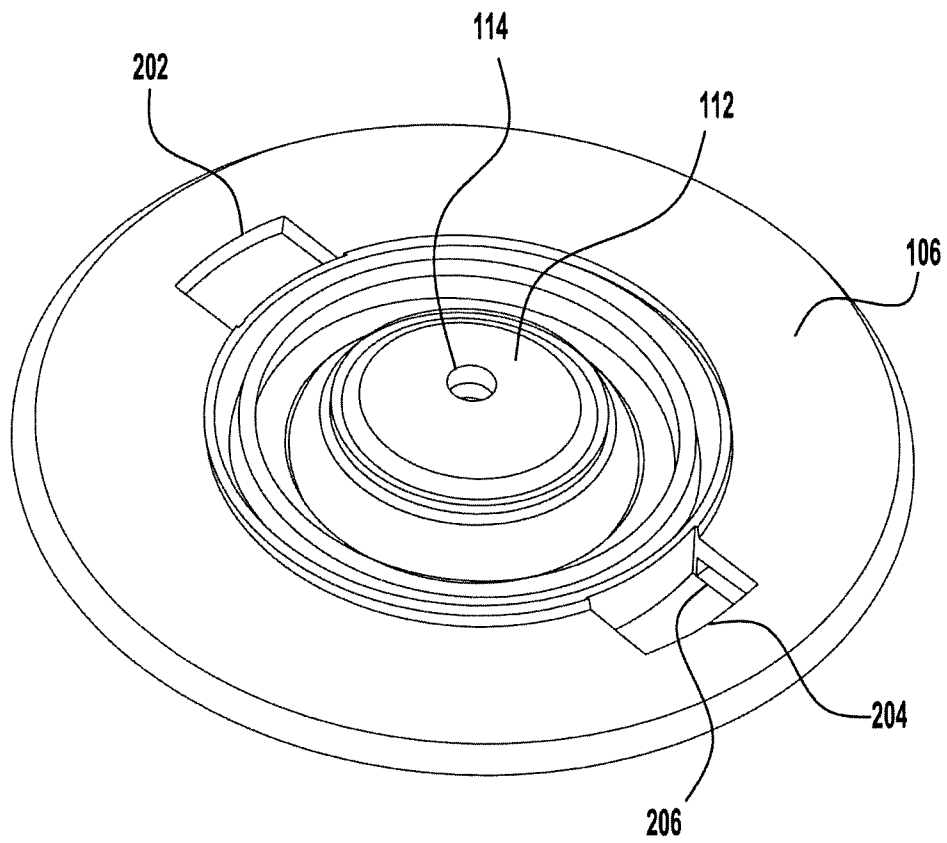


FIG. 2

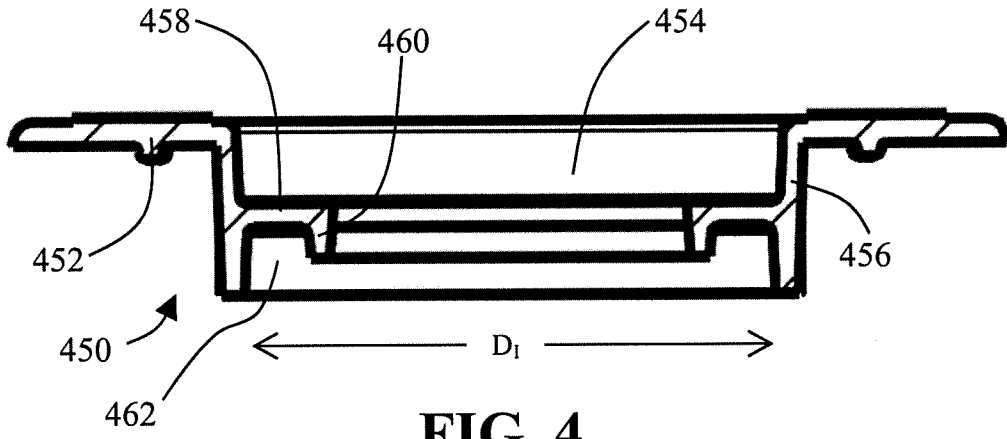


FIG. 4

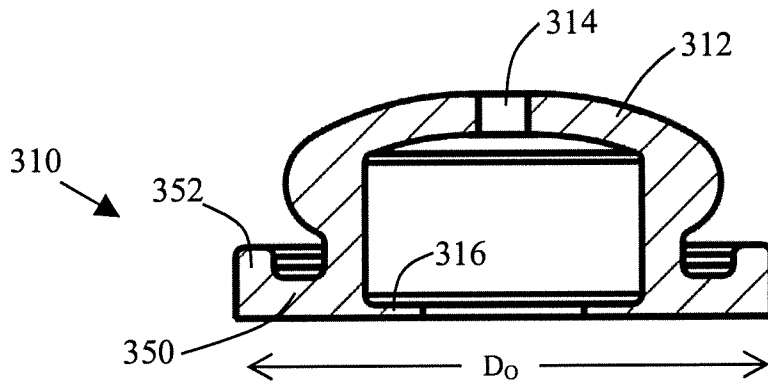


FIG. 3