



US0D1012248S

(12) **United States Design Patent**
Williams

(10) **Patent No.:** **US D1,012,248 S**

(45) **Date of Patent:** **** Jan. 23, 2024**

(54) **FAUCET**

D872,235 S * 1/2020 Garland D23/238
D952,104 S * 5/2022 Stoler D23/238

(71) Applicant: **AS America, Inc.**, Piscataway, NJ (US)

* cited by examiner

(72) Inventor: **Emilie Williams**, New York, NY (US)

Primary Examiner — Robert A Delehanty

(73) Assignee: **AS America, Inc.**, Piscataway, NJ (US)

(74) *Attorney, Agent, or Firm* — Tyler A. Stevenson;
Anna-lisa L. Gallo

(**) Term: **15 Years**

(57) **CLAIM**

(21) Appl. No.: **29/818,020**

I claim the ornamental design for a faucet, as shown and described.

(22) Filed: **Dec. 6, 2021**

(51) **LOC (14) Cl.** **23-01**

(52) **U.S. Cl.**

USPC **D23/255**

(58) **Field of Classification Search**

USPC D23/238–242, 249, 255, 257

CPC E03C 1/04; E03C 1/0404; E03C 1/042;

E03C 2001/0415; Y10T 137/9464

See application file for complete search history.

DESCRIPTION

FIG. 1 is a front, top, right side perspective view of a faucet showing my new design;

FIG. 2 is a front view thereof;

FIG. 3 is a rear view thereof;

FIG. 4 is a left side view thereof;

FIG. 5 is a right side view thereof;

FIG. 6 is a top view thereof; and,

FIG. 7 is a bottom view thereof.

The broken lines depict portions of the faucet that form no part of the claimed design.

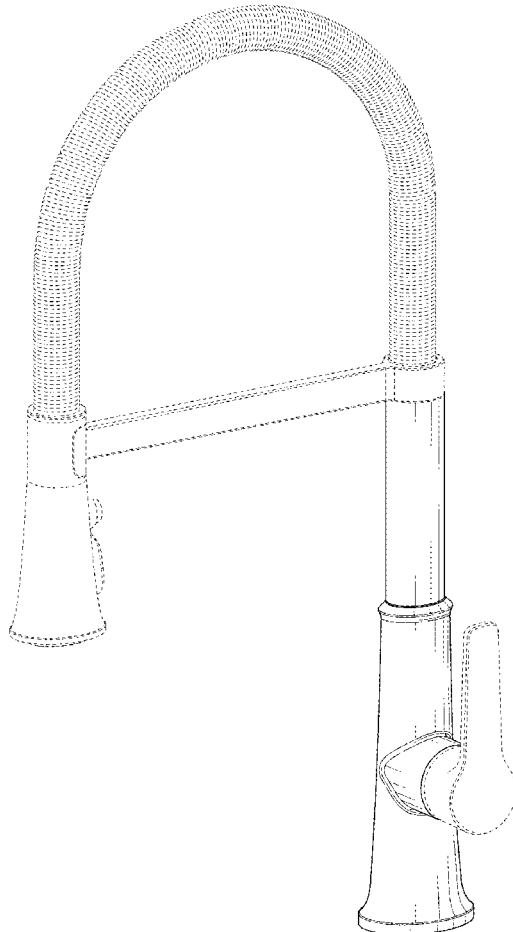
(56) **References Cited**

U.S. PATENT DOCUMENTS

D635,220 S * 3/2011 Rubin D23/238

D828,508 S * 9/2018 Fritz D23/238

1 Claim, 6 Drawing Sheets



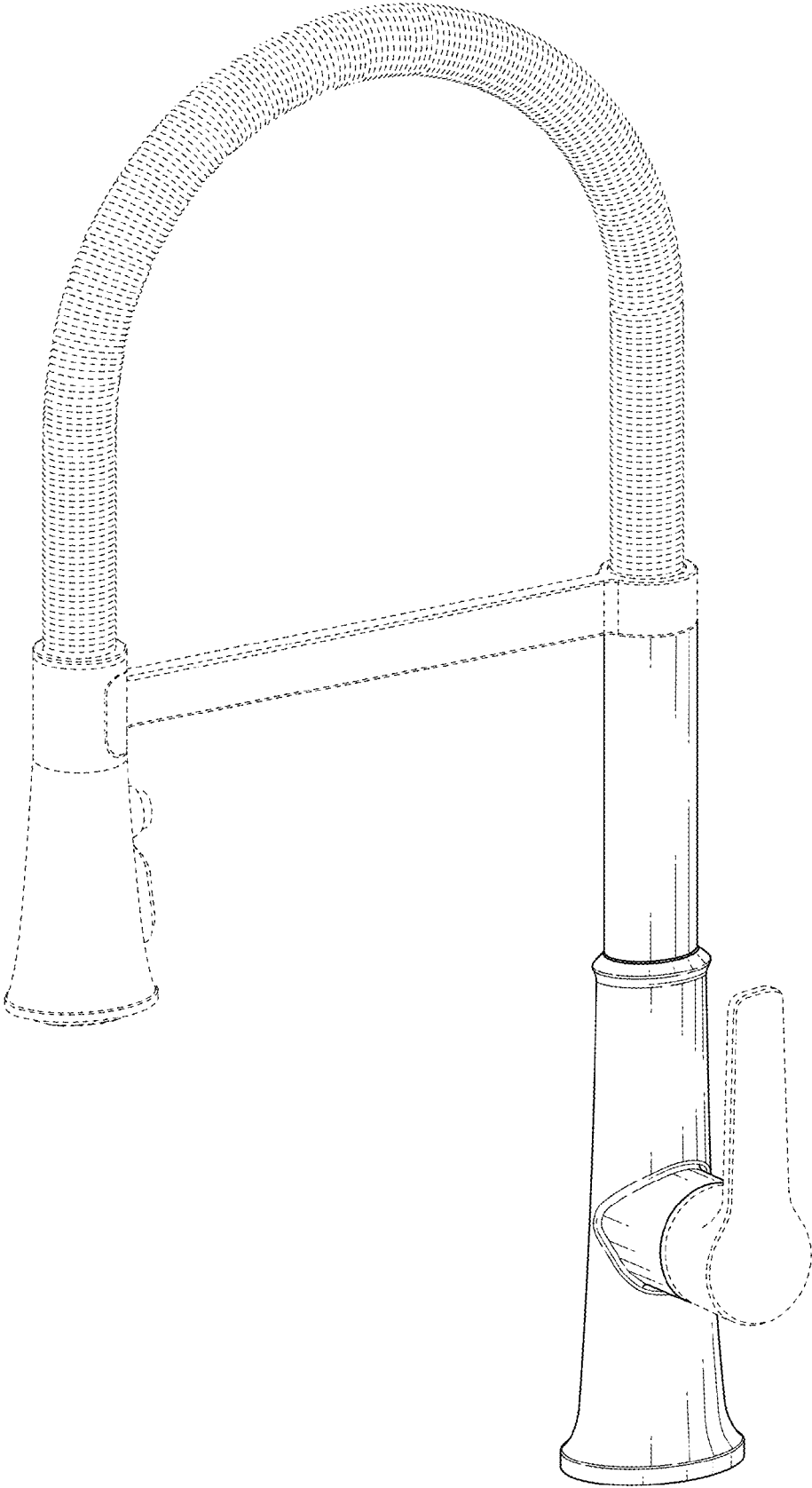


FIG. 1

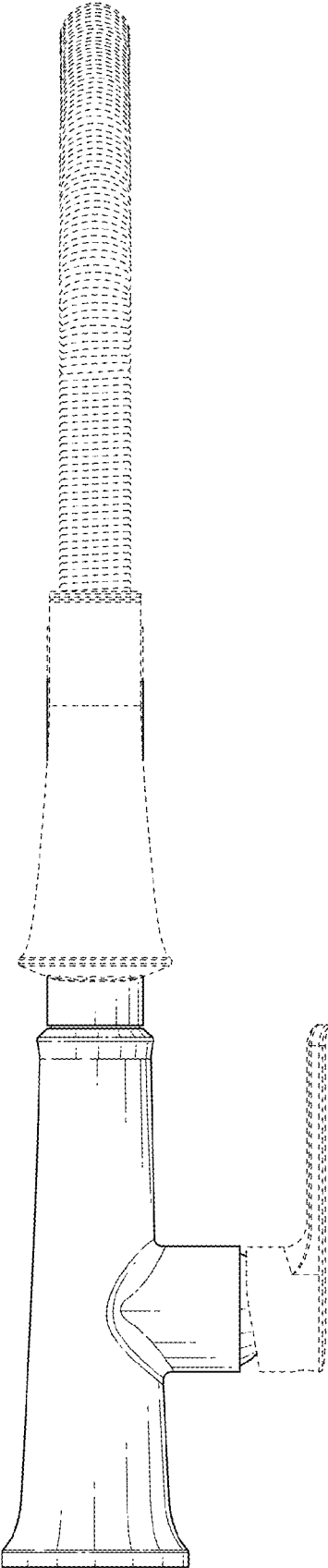


FIG. 2

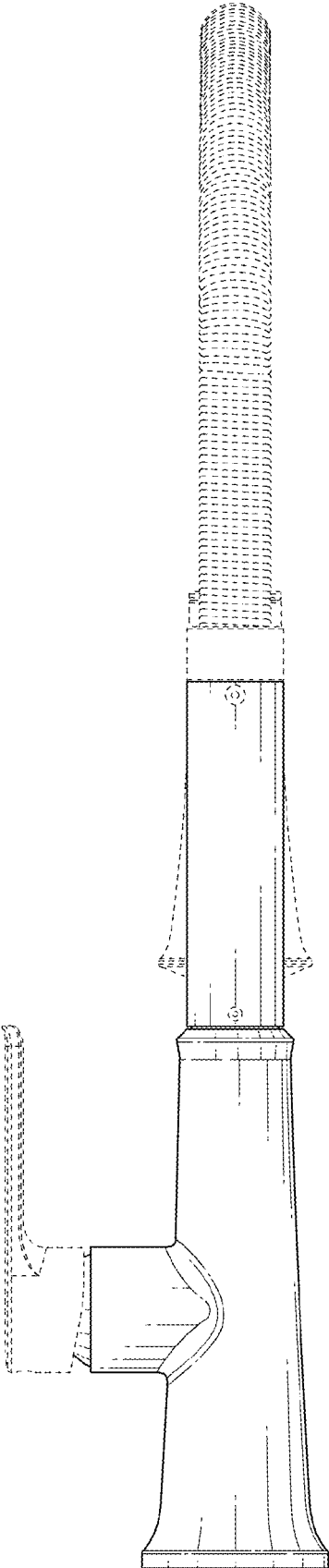


FIG. 3

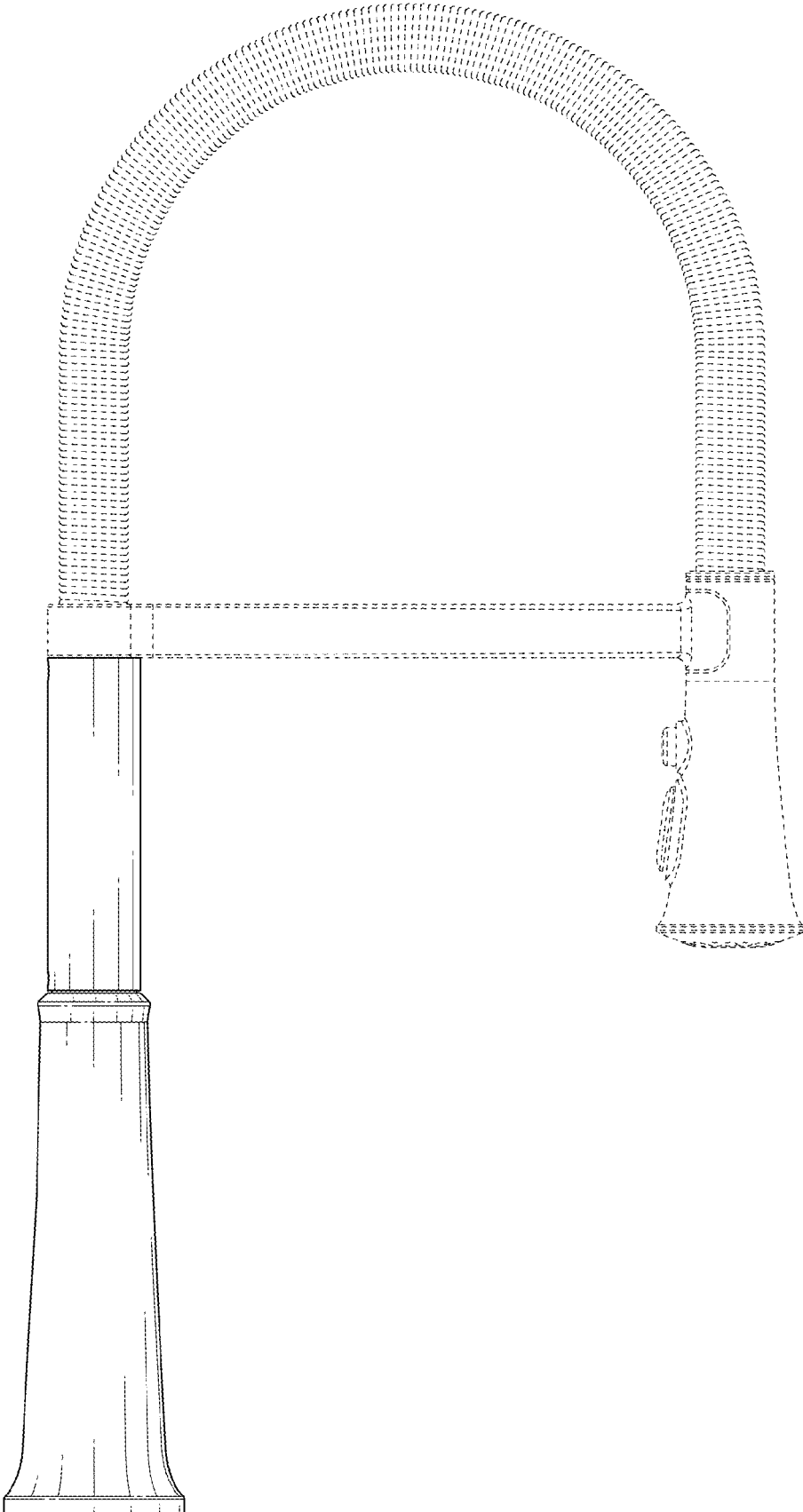


FIG. 4

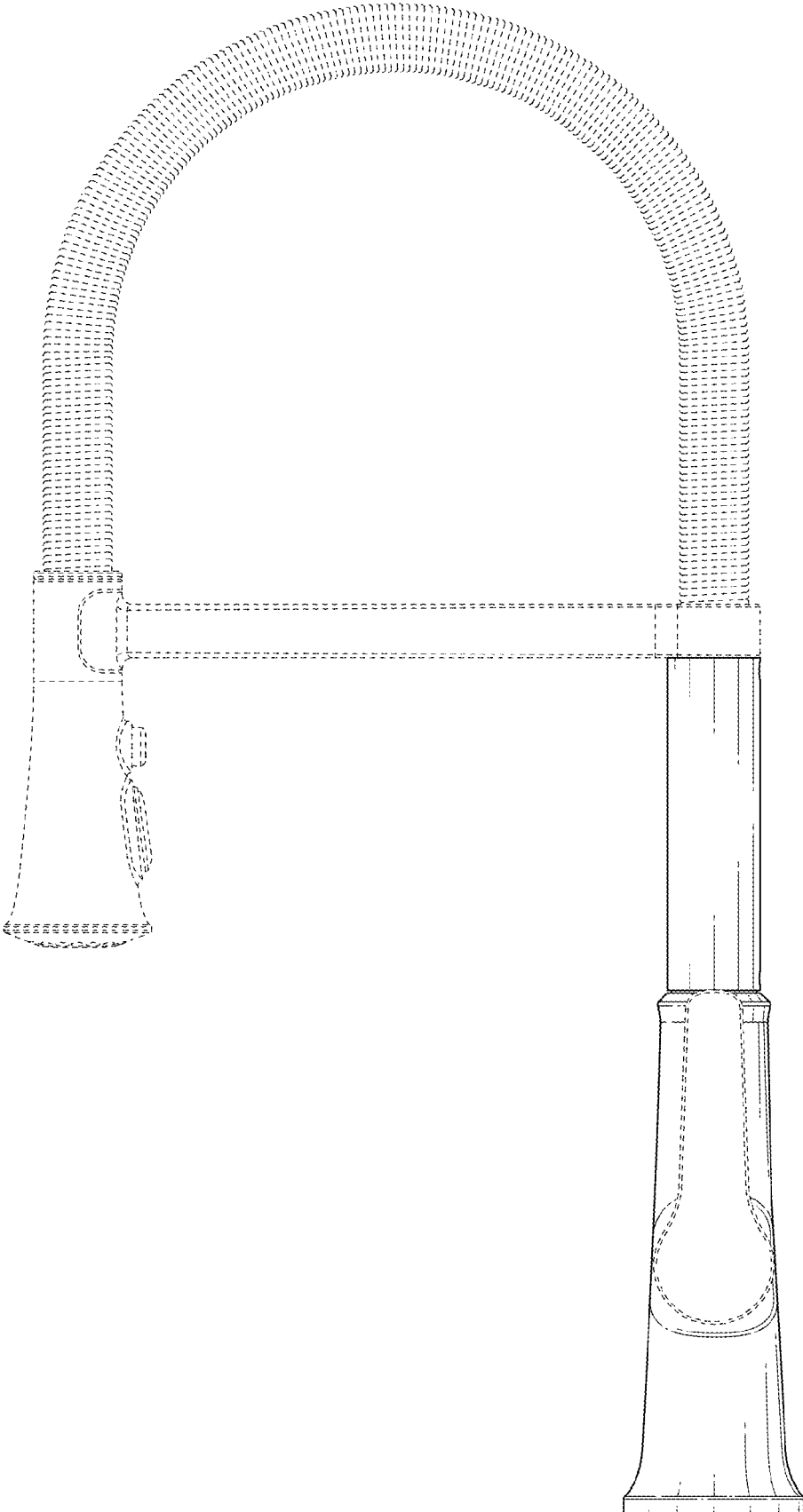


FIG. 5

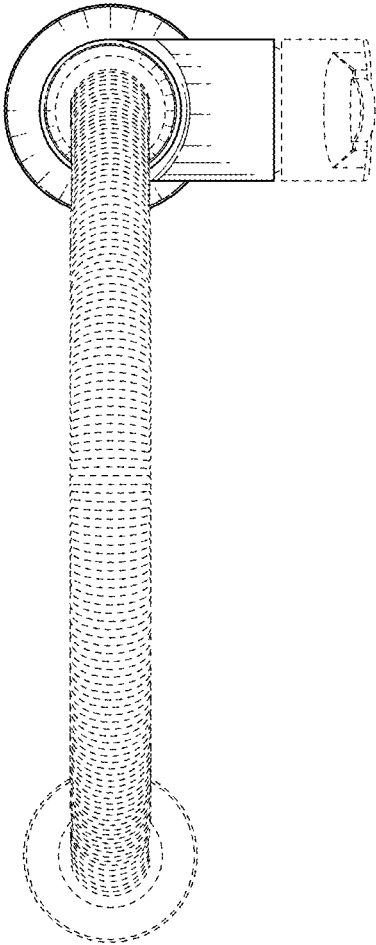


FIG. 6

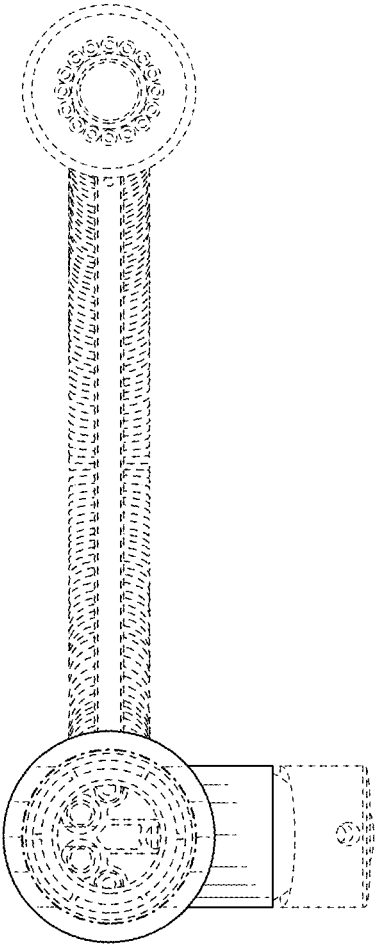


FIG. 7