



US00D859774S

(12) **United States Design Patent**
Lin

(10) **Patent No.:** **US D859,774 S**

(45) **Date of Patent:** **** Sep. 10, 2019**

(54) **LIFTING JACK**

(71) Applicant: **Pull'r Holding Company, LLC**,
Schaumburg, IL (US)

(72) Inventor: **Mark Lin**, Barrington, IL (US)

(73) Assignee: **KAI HSIANG TRAFFIC**
APPLIANCES CO. LTD. (TW)

(**) Term: **15 Years**

(21) Appl. No.: **29/624,231**

(22) Filed: **Oct. 31, 2017**

(51) **LOC (12) Cl.** **12-05**

(52) **U.S. Cl.**
USPC **D34/31**

(58) **Field of Classification Search**
USPC D34/31
CPC B66F 1/00; B66F 1/06; B66F 1/08; B66F
3/25; B66F 3/00; B66F 5/00; B66F
13/00; B66F 7/18
See application file for complete search history.

(56) **References Cited**

U.S. PATENT DOCUMENTS

D216,034 S *	11/1969	Gaarder	D34/31
D253,696 S	12/1979	Suzuki		
D454,419 S	3/2002	Lee		
D485,412 S *	1/2004	Hung	D34/31
D590,121 S *	4/2009	Shen	D34/31
D604,025 S	11/2009	Lin		

D625,073 S	10/2010	Hernandez		
D646,453 S	10/2011	Zhou		
D683,104 S *	5/2013	Flournoy	D34/31
D688,845 S *	8/2013	Hernandez	D34/31
D765,338 S	8/2016	Martinez Martinez		
D801,617 S *	10/2017	Fox	D34/31
D823,569 S *	7/2018	Fox	D34/31
2013/0048931 A1*	2/2013	Schumacher	B66F 3/12 254/8 B
2015/0307333 A1*	10/2015	Emsky	B66F 5/04 254/2 B

* cited by examiner

Primary Examiner — Cynthia Ramirez

(74) *Attorney, Agent, or Firm* — Cherskov Flaynik & Gurda, LLC

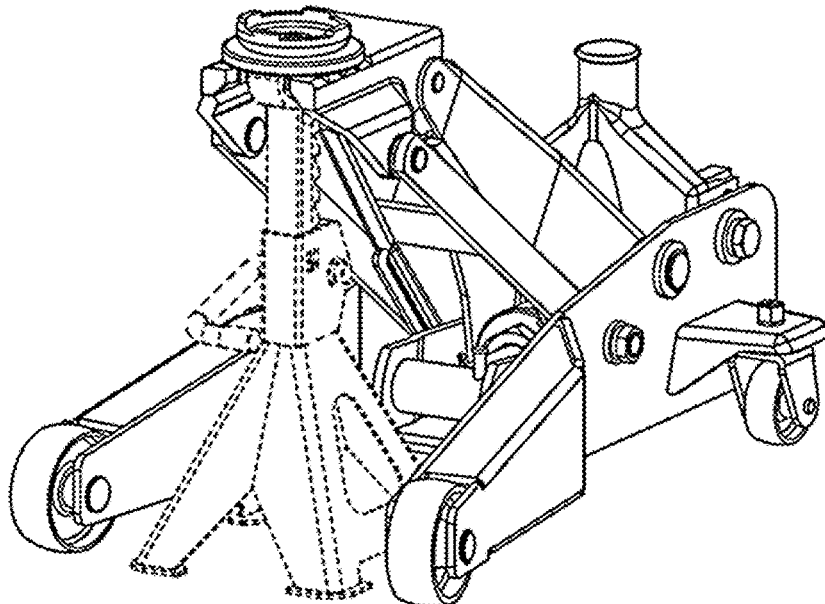
(57) **CLAIM**

The ornamental design for a lifting jack, as shown and described.

DESCRIPTION

FIG. 1 is a front, perspective view of the lifting jack showing my new design;
FIG. 2 is a front elevational view thereof;
FIG. 3 is a back elevational view thereof;
FIG. 4 is a right side elevational view thereof;
FIG. 5 is a left side elevational view thereof;
FIG. 6 is a top plan view thereof; and,
FIG. 7 is a bottom plan view thereof.
The broken lines in the figures are for the purpose of illustrating environment and form no part of the claimed design.

1 Claim, 7 Drawing Sheets



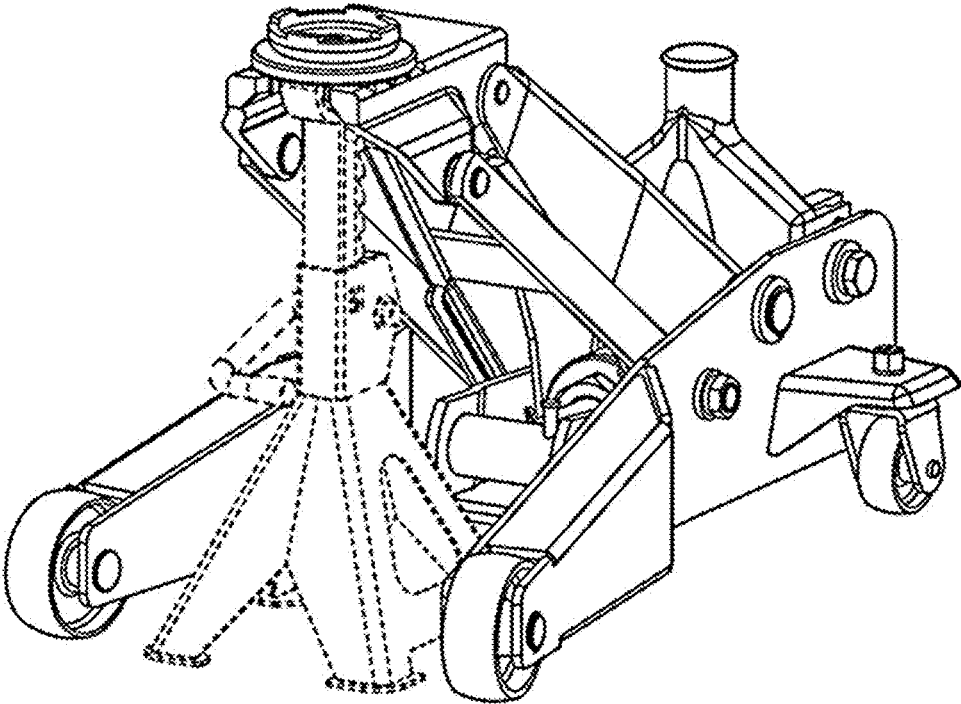


Fig. 1

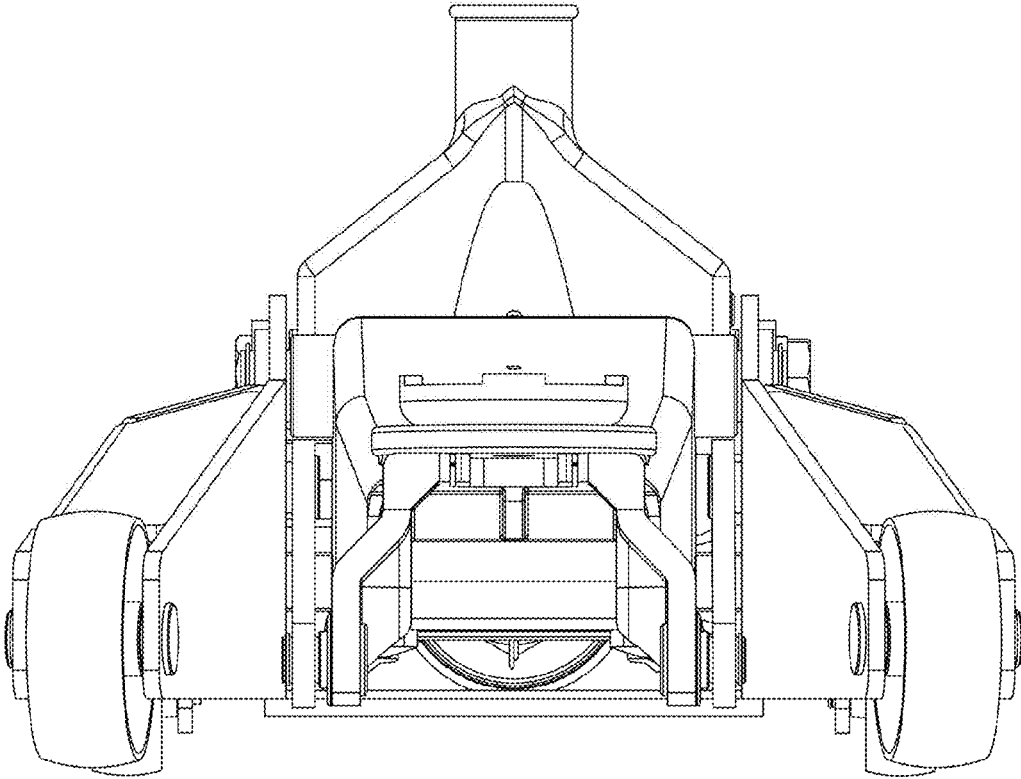


Fig. 2

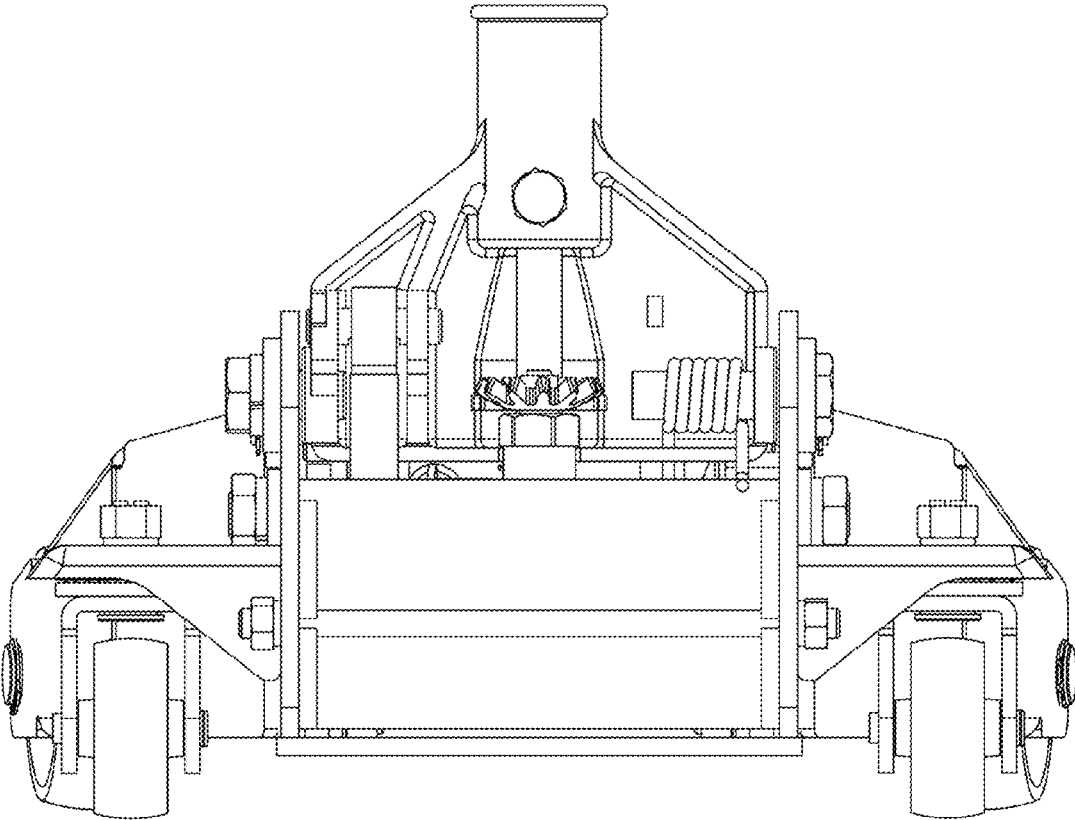


Fig. 3

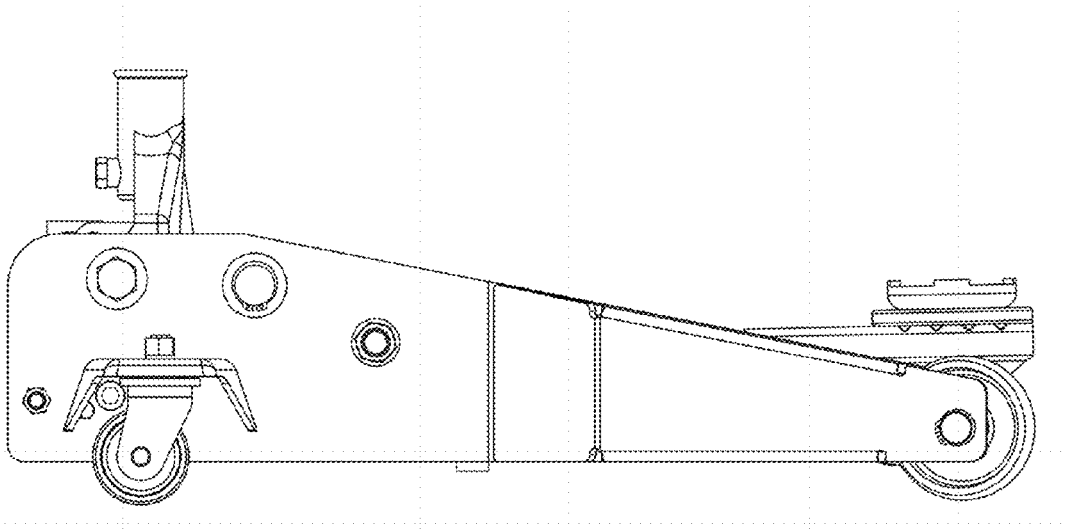


Fig. 4

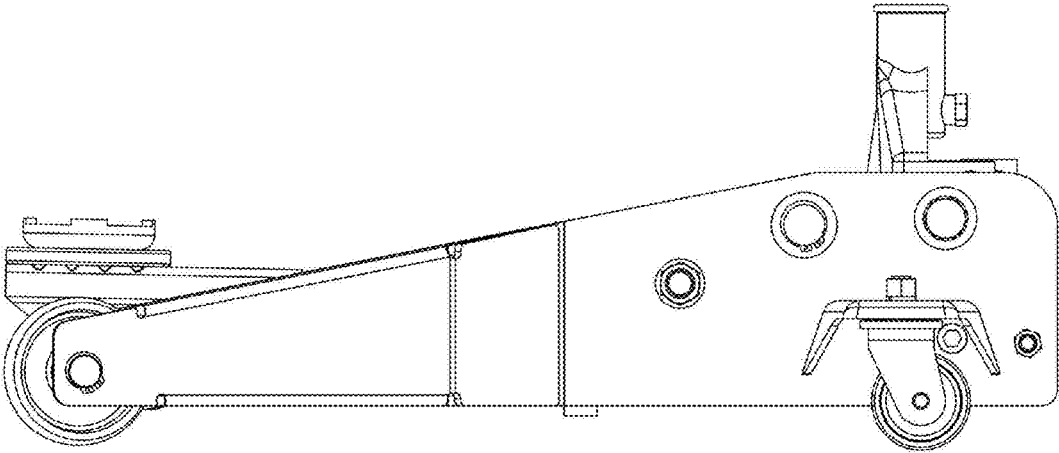


Fig. 5

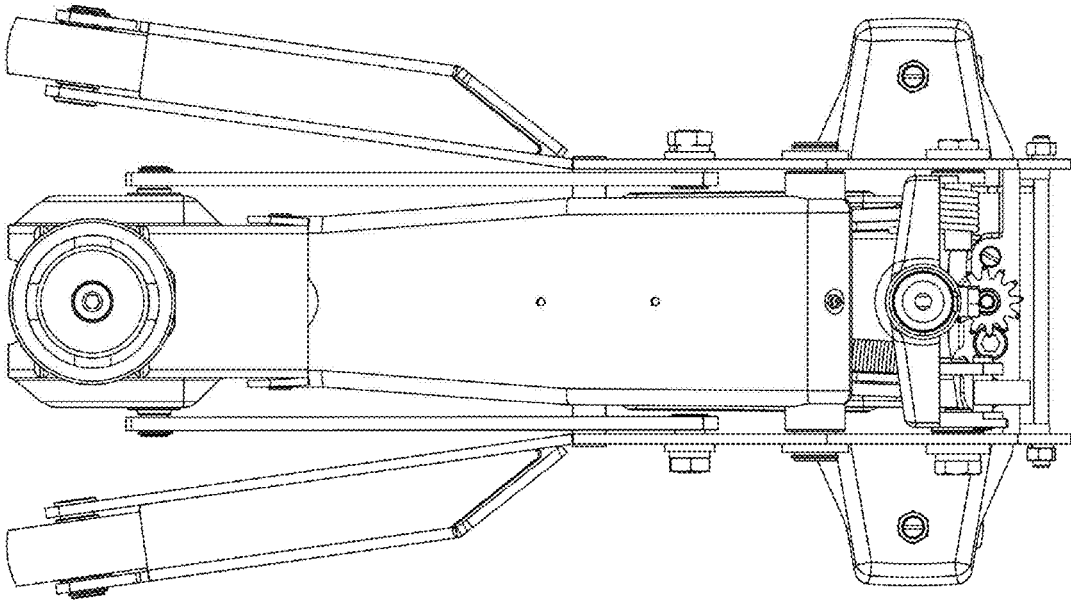


Fig. 6

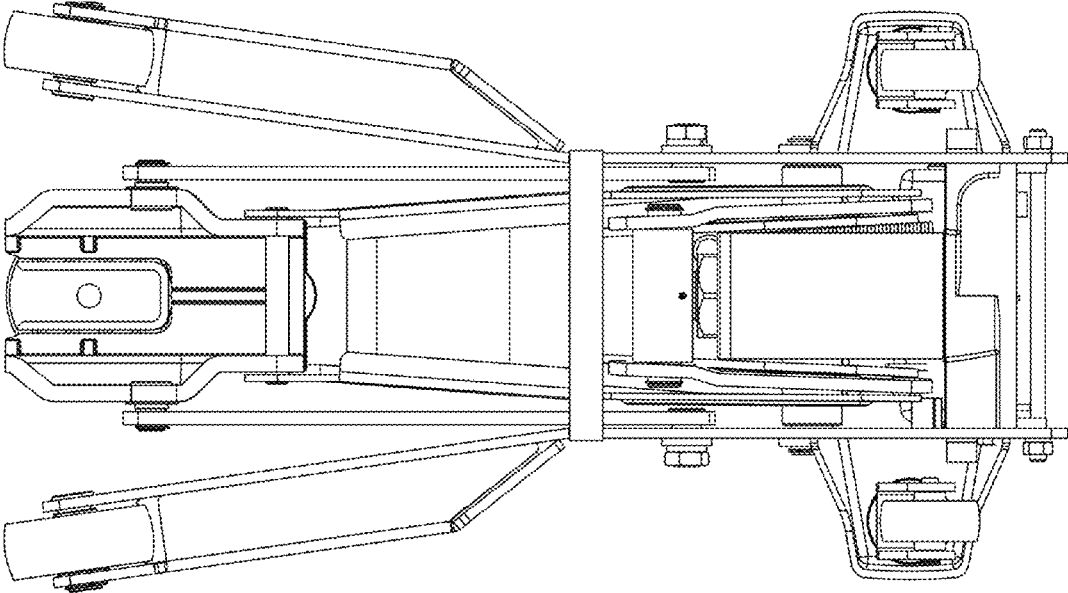


Fig. 7