

(19) World Intellectual Property Organization
International Bureau



(43) International Publication Date
3 January 2002 (03.01.2002)

PCT

(10) International Publication Number
WO 02/01467 A3

(51) International Patent Classification⁷: G06F 17/60

(21) International Application Number: PCT/US01/20365

(22) International Filing Date: 23 June 2001 (23.06.2001)

(25) Filing Language: English

(26) Publication Language: English

(30) Priority Data:
60/213,762 23 June 2000 (23.06.2000) US

(71) Applicant: INTERNATIONAL PAPER COMPANY
[US/US]; 1422 Long Meadow Road, Tuxedo, NY 10987
(US).

(71) Applicant and
(72) Inventor: VAN FLEET, Steven, R. [CA/US]; 5 Juniper
Lane, Pawling, NY 12564 (US).

(74) Agent: DOYLE, Michael, J.; 1422 Long Meadow Road,
Tuxedo, NY 10987 (US).

(81) Designated States (*national*): AE, AG, AL, AM, AT, AU, AZ, BA, BB, BG, BR, BY, BZ, CA, CH, CN, CO, CR, CU, CZ, DE, DK, DM, DZ, EC, EE, ES, FI, GB, GD, GE, GH, GM, HR, HU, ID, IL, IN, IS, JP, KE, KG, KP, KR, KZ, LC, LK, LR, LS, LT, LU, LV, MA, MD, MG, MK, MN, MW, MX, MZ, NO, NZ, PL, PT, RO, RU, SD, SE, SG, SI, SK, SL, TJ, TM, TR, TT, TZ, UA, UG, UZ, VN, YU, ZA, ZW.

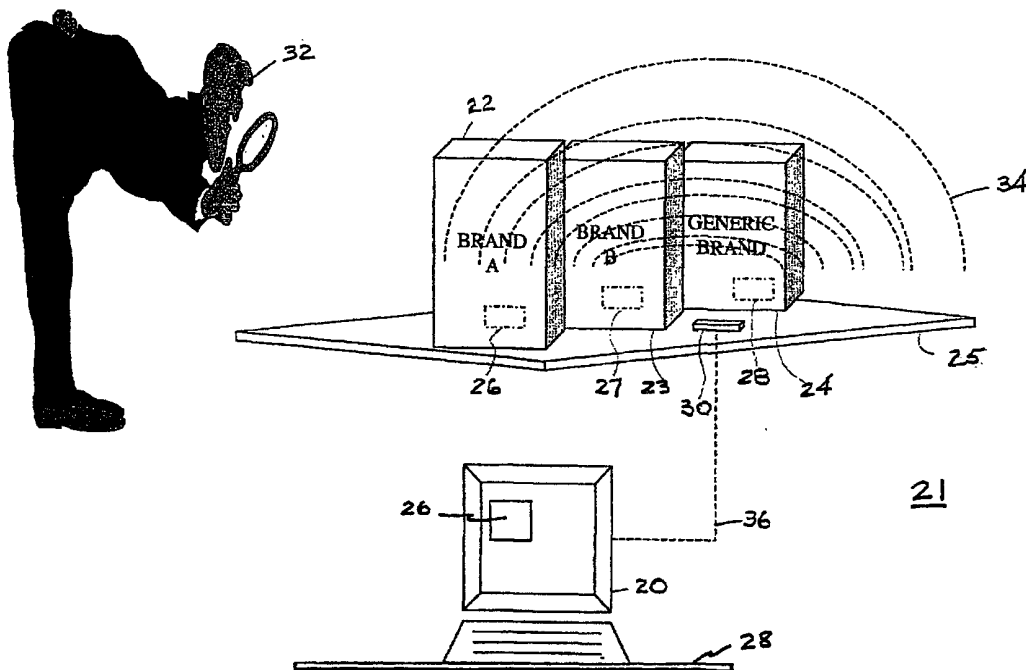
(84) Designated States (*regional*): ARIPO patent (GH, GM, KE, LS, MW, MZ, SD, SL, SZ, TZ, UG, ZW), Eurasian patent (AM, AZ, BY, KG, KZ, MD, RU, TJ, TM), European patent (AT, BE, CH, CY, DE, DK, ES, FI, FR, GB, GR, IE, IT, LU, MC, NL, PT, SE, TR), OAPI patent (BF, BJ, CF, CG, CI, CM, GA, GN, GW, ML, MR, NE, SN, TD, TG).

Published:
— with international search report

(88) Date of publication of the international search report:
4 April 2002

For two-letter codes and other abbreviations, refer to the "Guidance Notes on Codes and Abbreviations" appearing at the beginning of each regular issue of the PCT Gazette.

(54) Title: SYSTEM FOR INVENTORY CONTROL AND CAPTURING AND ANALYZING CONSUMER BUYING DECISIONS



WO 02/01467 A3

(57) Abstract: A package identification and tracking system for use in analysing consumer buying decisions utilizes an RFID tag (26) containing a unique code which, in response to a query (36), communicates identifying data used for authenticating a product and for providing information relating to consumer purchase decisions (44).

INTERNATIONAL SEARCH REPORT

International application No.
PCT/US01/20365

A. CLASSIFICATION OF SUBJECT MATTER		
IPC(7) : G06F 17/60 US CL : 705/22 According to International Patent Classification (IPC) or to both national classification and IPC		
B. FIELDS SEARCHED		
Minimum documentation searched (classification system followed by classification symbols) U.S. : 705/22, 28, 29		
Documentation searched other than minimum documentation to the extent that such documents are included in the fields searched		
Electronic data base consulted during the international search (name of data base and, where practicable, search terms used)		
C. DOCUMENTS CONSIDERED TO BE RELEVANT		
Category*	Citation of document, with indication, where appropriate, of the relevant passages	Relevant to claim No.
X, P	US 6,148,291 A (RADICAN) 14 NOVEMBER 2000 SEE ENTIRE DISCLOSURE	1-3, 7
A, P	US 6,144,301 A (FRIEDEN) 7 NOVEMBER 2000, SEE ENTIRE DISCLOSURE	1-25
A, P	US 6,150,942 A (O'BRIEN) 21 NOVEMBER 2000, SEE ENTIRE DISCLOSURE	1-25
A, P	US 6,206,282 B1 (HAYES, SR. ET AL.) 27 MARCH 2001, SEE ENTIRE DISCLOSURE	1-25
A, E	US 6,294,997 B1 (PARATORE ET AL.) 25 SEPTEMBER 2001, SEE ENTIRE DISCLOSURE	1-25
<input type="checkbox"/> Further documents are listed in the continuation of Box C. <input type="checkbox"/> See patent family annex.		
* Special categories of cited documents:	"T"	later document published after the international filing date or priority date and not in conflict with the application but cited to understand the principle or theory underlying the invention
"A" document defining the general state of the art which is not considered to be of particular relevance	"X"	document of particular relevance; the claimed invention cannot be considered novel or cannot be considered to involve an inventive step when the document is taken alone
"E" earlier document published on or after the international filing date	"Y"	document of particular relevance; the claimed invention cannot be considered to involve an inventive step when the document is combined with one or more other such documents, such combination being obvious to a person skilled in the art
"L" document which may throw doubts on priority claim(s) or which is cited to establish the publication date of another citation or other special reason (as specified)	"&"	document member of the same patent family
"O" document referring to an oral disclosure, use, exhibition or other means		
"P" document published prior to the international filing date but later than the priority date claimed		
Date of the actual completion of the international search 02 NOVEMBER 2001	Date of mailing of the international search report 05 DEC 2001	
Name and mailing address of the ISA/US Commissioner of Patents and Trademarks Box PCT Washington, D.C. 20231 Facsimile No. (703) 305-3230	Authorized officer <i>[Signature]</i> DOUGLAS A. HESS Telephone No. (703) 305-3900	