



US0D1069473S

(12) **United States Design Patent**
Chen

(10) **Patent No.:** **US D1,069,473 S**

(45) **Date of Patent:** **** Apr. 8, 2025**

(54) **BAR TABLE**

(71) Applicant: **Nanjing Haoyujie Electronic Technology Co., Ltd.**, Jiangsu (CN)

(72) Inventor: **Meidi Chen**, Jiangsu (CN)

(**) Term: **15 Years**

(21) Appl. No.: **29/871,341**

(22) Filed: **Feb. 16, 2023**

(51) **LOC (15) Cl.** **06-06**

(52) **U.S. Cl.**
USPC **D6/707.24**

(58) **Field of Classification Search**
USPC D6/685, 686, 691, 707, 707.2,
D6/707.22-707.25
CPC A47B 1/00; A47B 1/05; A47B 1/10; A47B
13/00; A47B 13/08; A47B 13/088; A47B
13/10; A47B 2200/0001; A47B
2200/0002

See application file for complete search history.

(56) **References Cited**

U.S. PATENT DOCUMENTS

362,603	A *	5/1887	Bringezu	A47B 1/05 108/74
1,477,069	A *	12/1923	Mahncke	A47B 1/05 108/73
2,868,597	A *	1/1959	Morrison	A47B 1/05 108/71
3,059,981	A *	10/1962	Giovambattista	A47B 1/02 108/85
11,793,303	B1 *	10/2023	Chen	A47B 1/10

OTHER PUBLICATIONS

Santorini Teak Extendable Dining Table—Wayfare <https://www.wayfair.com/outdoor/pdp/pebble-lane-living-santorini-teak-extendable-dining-table-pblv1120.html?piid=> retrieved from the internet on Sep. 18, 2024.*

* cited by examiner

Primary Examiner — Mary Ann Calabrese

(57) **CLAIM**

The ornamental design for a bar table, as shown and described.

DESCRIPTION

FIG. 1 is a perspective view of a bar table showing my new design.

FIG. 2 is a front view thereof.

FIG. 3 is a rear view thereof.

FIG. 4 is a left side view thereof.

FIG. 5 is a right side view thereof.

FIG. 6 is a top view thereof.

FIG. 7 is a bottom view thereof.

FIG. 8 is an enlarged view thereof taken from detail 8 in FIG. 4.

FIG. 9 is a perspective view of a bar table shown in an alternate position of use with the leaves extended.

FIG. 10 is a front view thereof.

FIG. 11 is a rear view thereof.

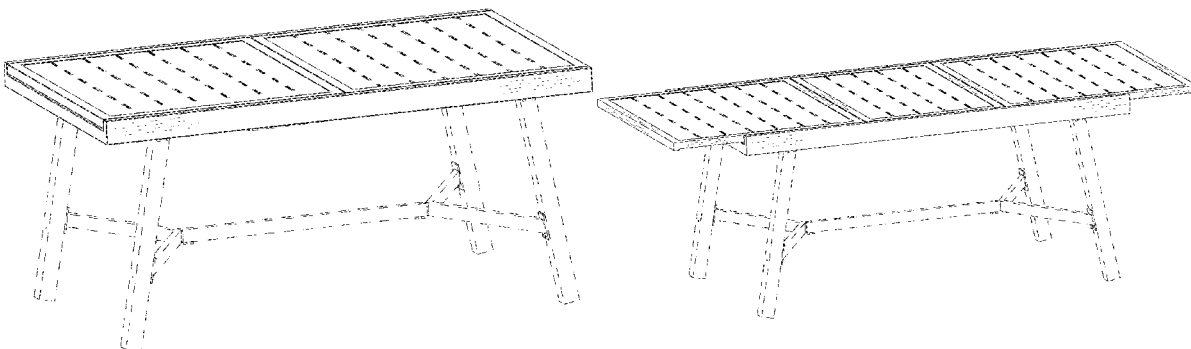
FIG. 12 is a left side view thereof.

FIG. 13 is a right side view thereof.

FIG. 14 is a top view thereof; and,

FIG. 15 is a bottom view thereof.

1 Claim, 15 Drawing Sheets



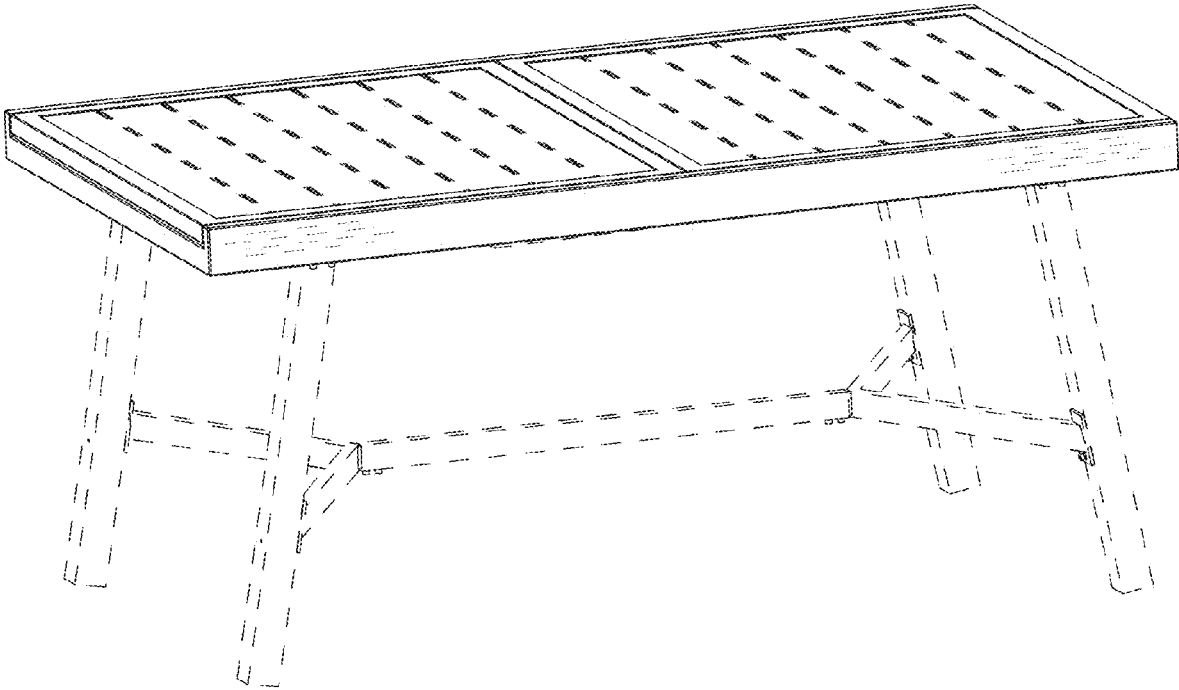


FIG. 1

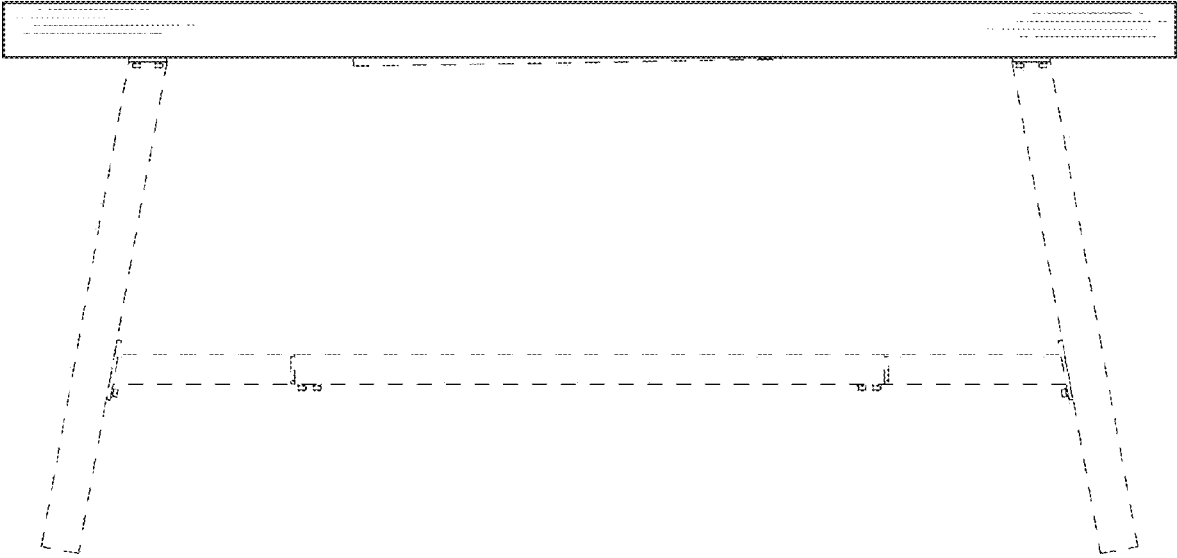


FIG. 2

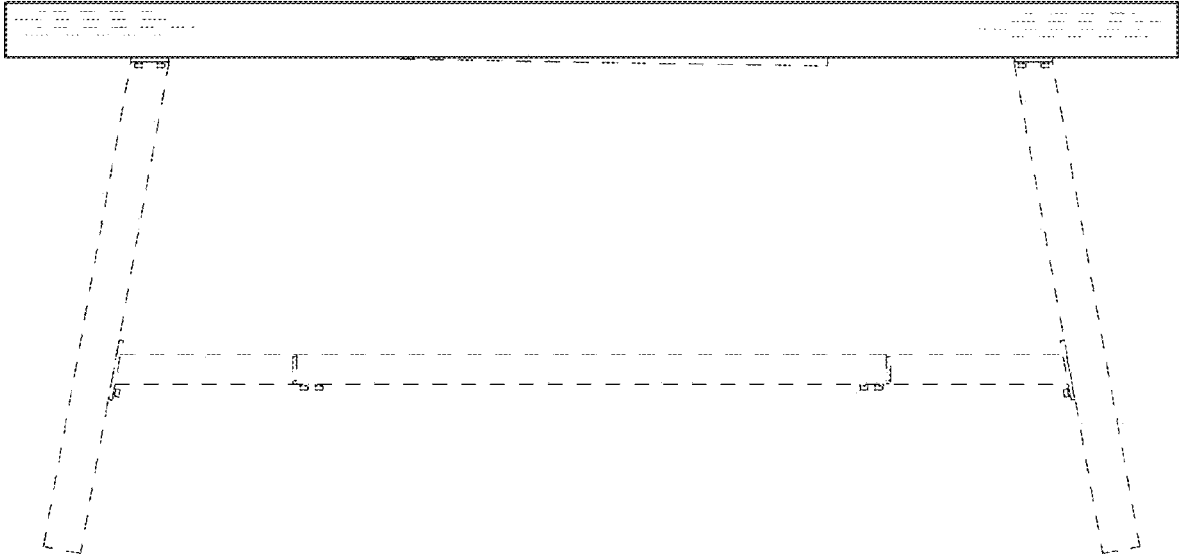


FIG. 3

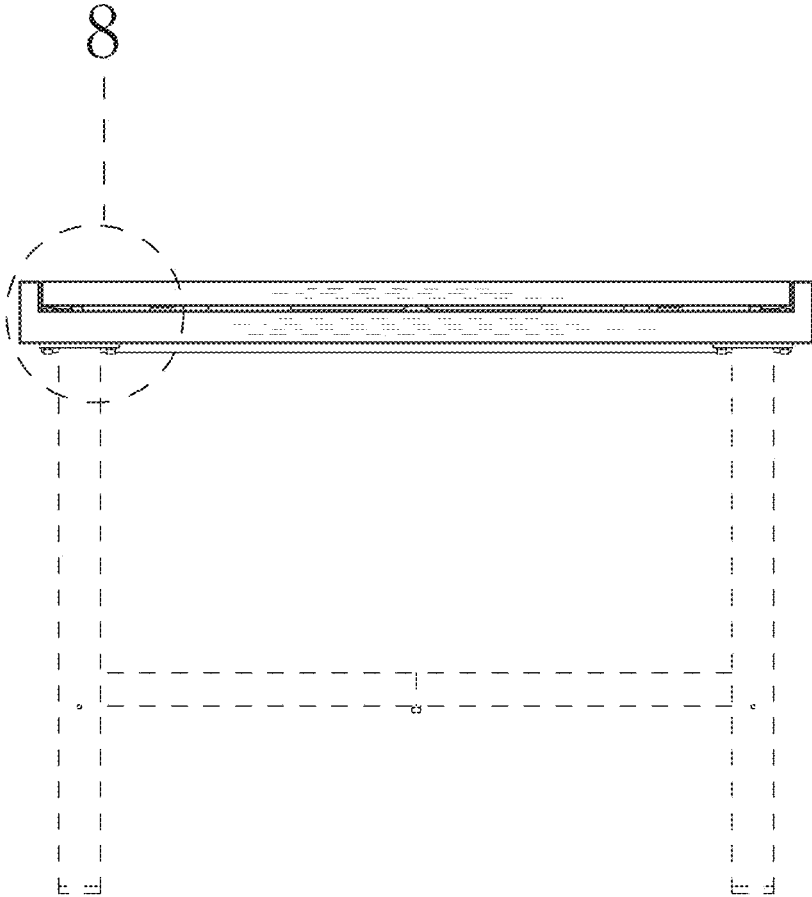


FIG. 4



FIG. 5

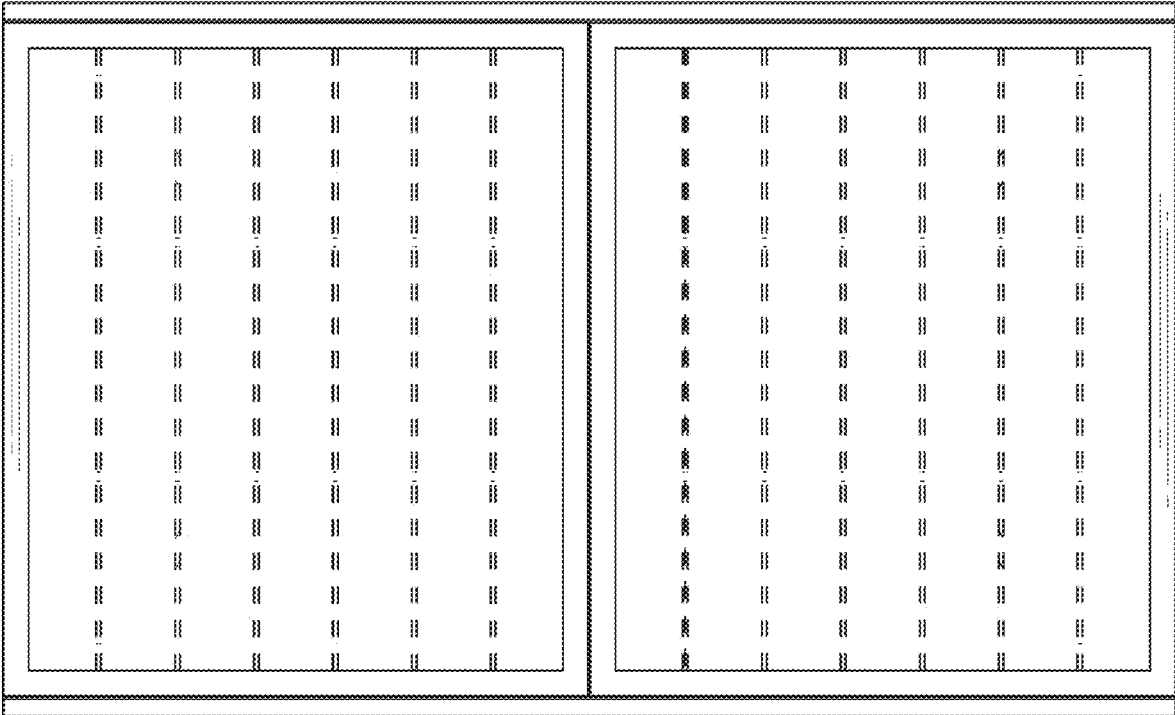


FIG. 6

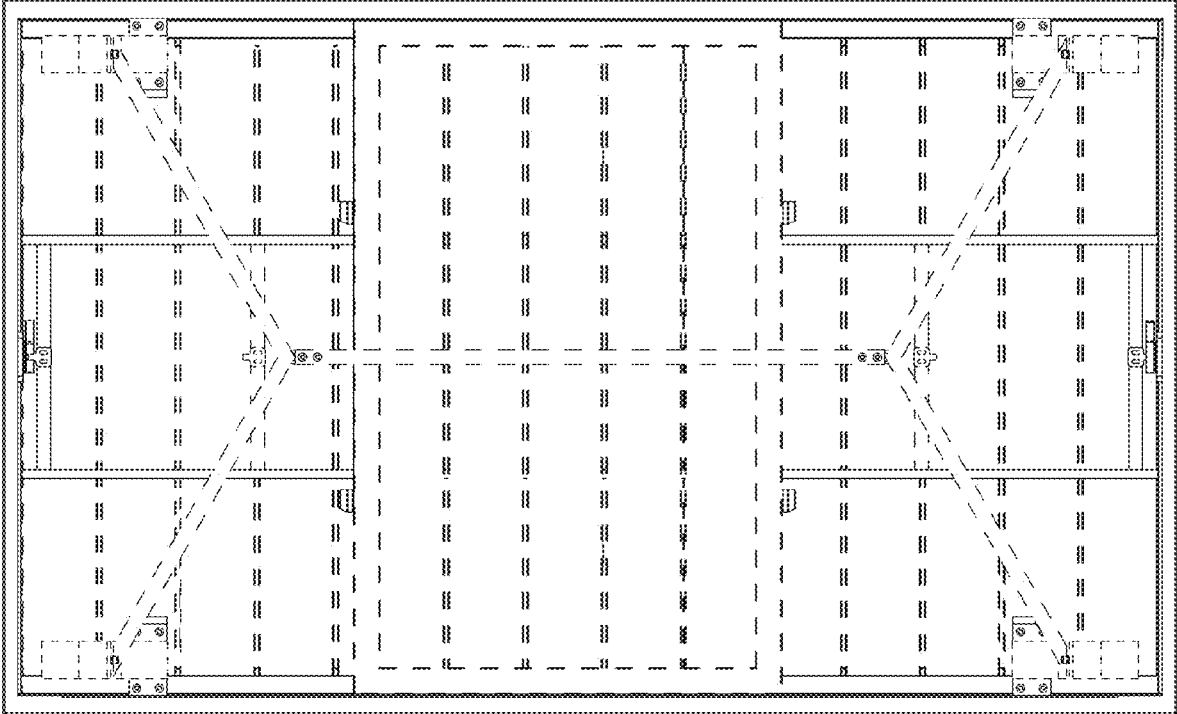


FIG. 7

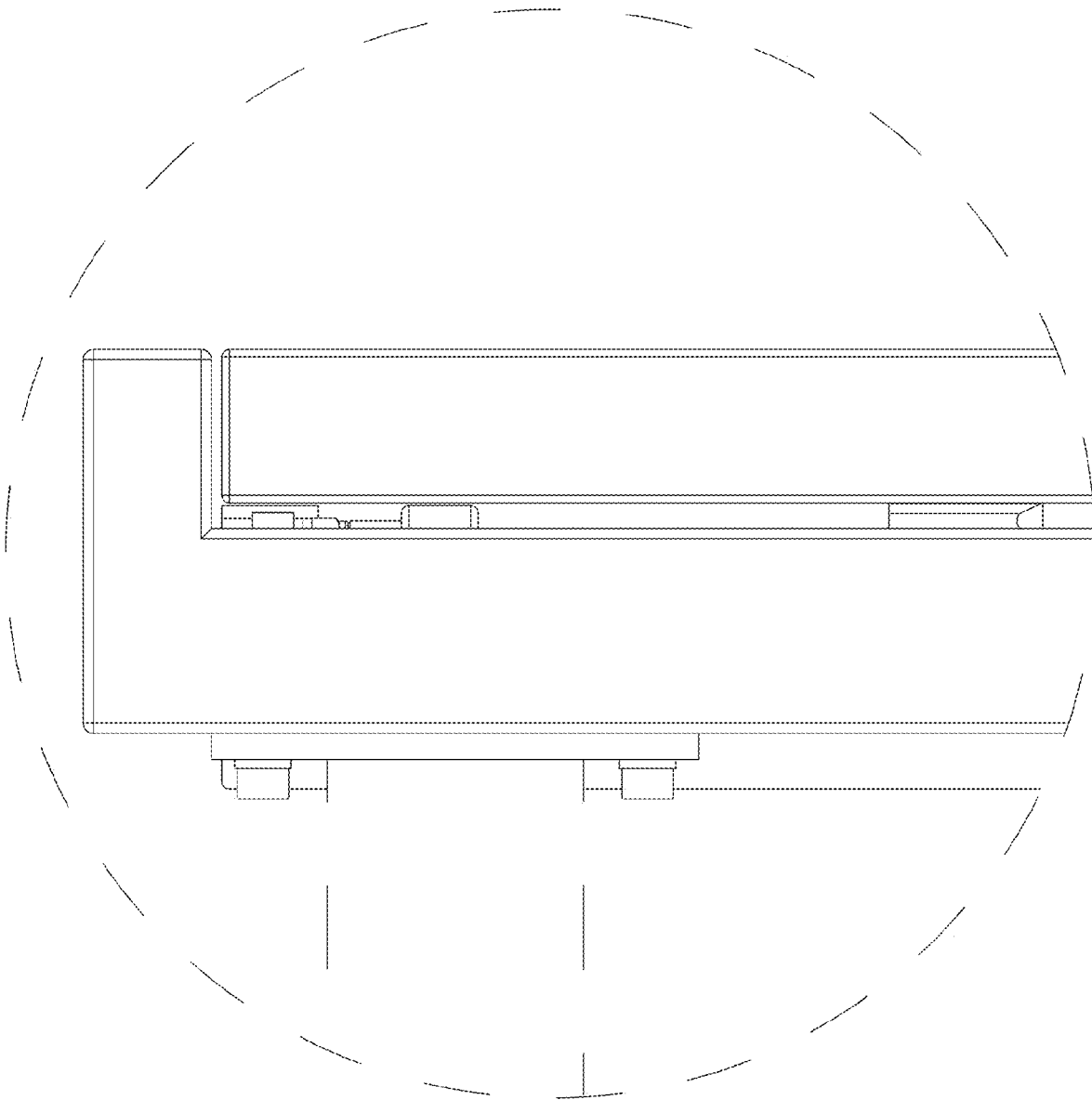


FIG. 8

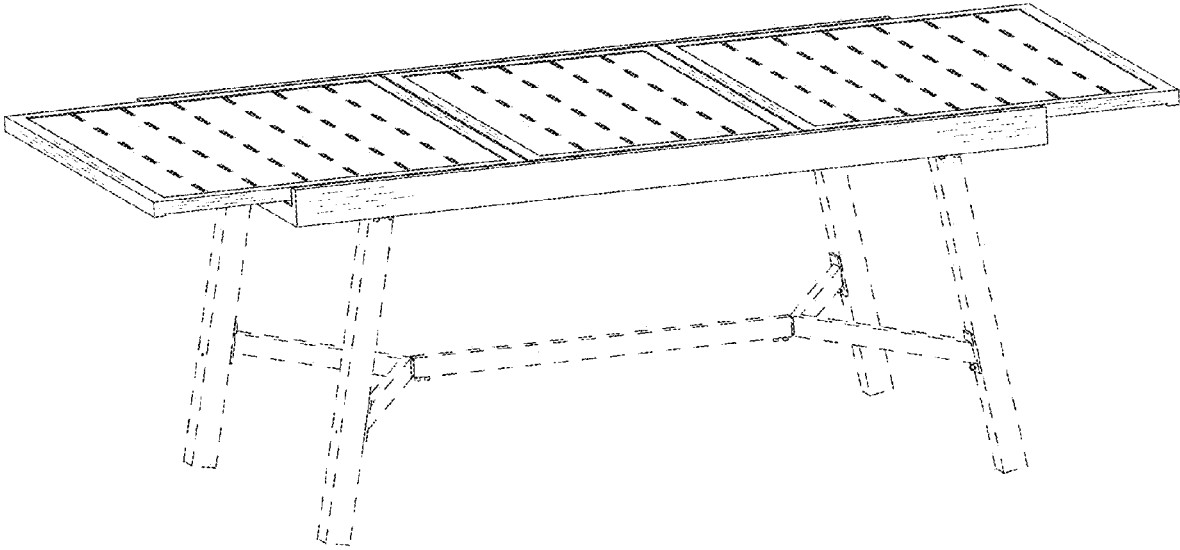


FIG. 9

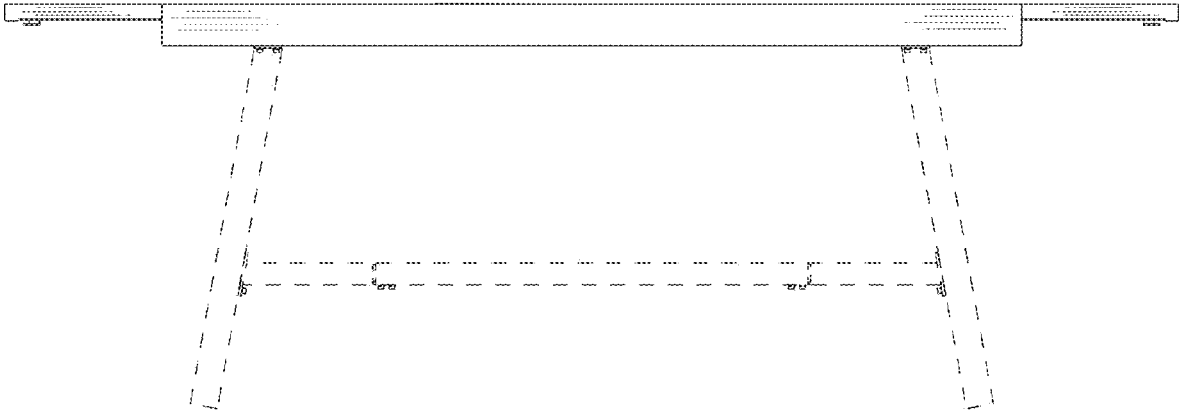


FIG. 10

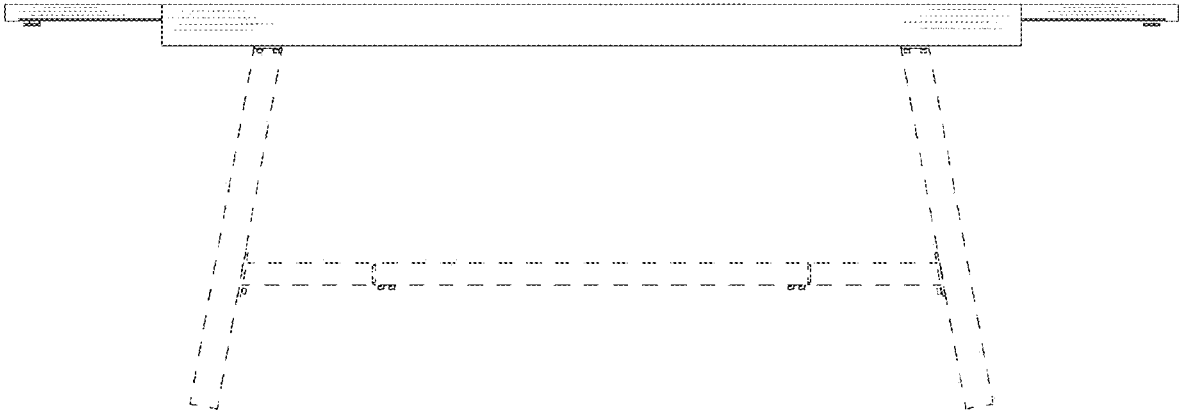


FIG. 11

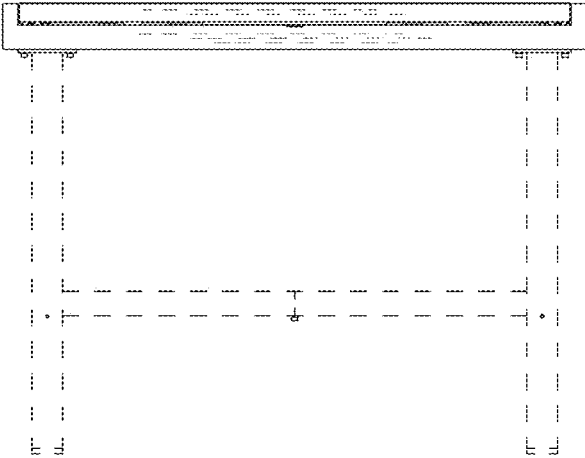


FIG. 12

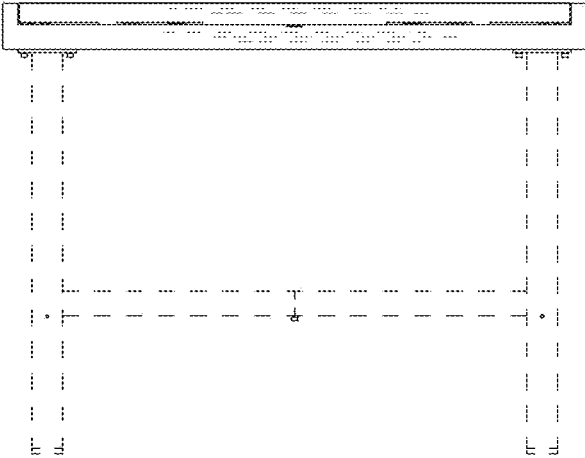


FIG. 13

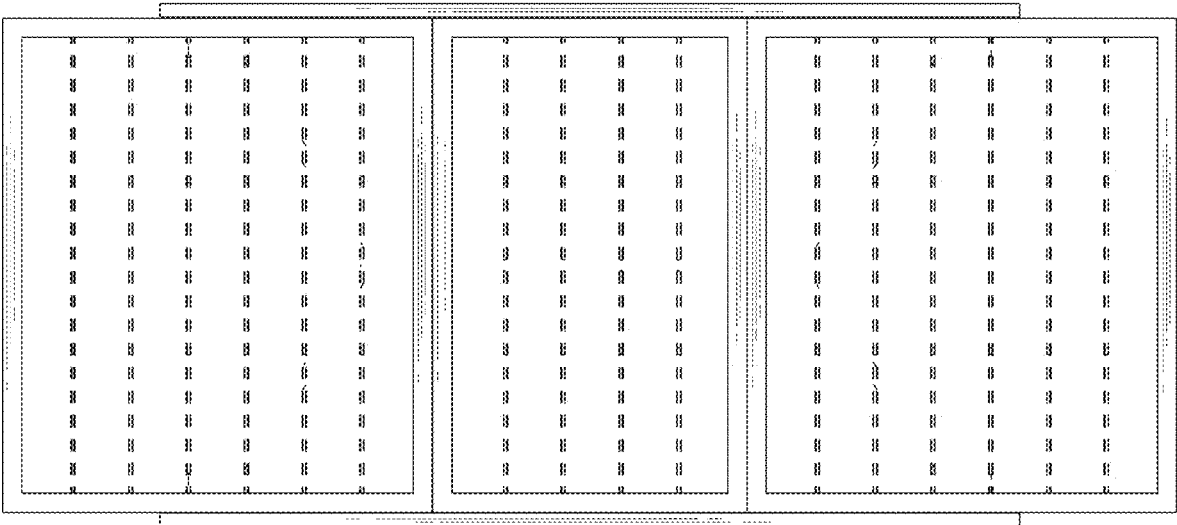


FIG. 14

