



- (51) International Patent Classification:
E21B 43/12 (2006.01) E21B 43/16 (2006.01)
E21B 34/10 (2006.01)
- (21) International Application Number:
PCT/US2010/032467
- (22) International Filing Date:
26 April 2010 (26.04.2010)
- (25) Filing Language: English
- (26) Publication Language: English
- (30) Priority Data:
61/172,292 24 April 2009 (24.04.2009) US
- (71) Applicant (for all designated States except US): COM-
PLETION TECHNOLOGY LTD. [US/US]; 2202 Tim-
berloch Place, Suite 116, The Woodlands, Texas 77380
(US).
- (72) Inventors; and
- (75) Inventors/Applicants (for US only): YAMASAKI,
Mark Hiroshi [US/US]; 13018 Bramford Point Lane,
Houston, Texas 77070 (US). RUBBO, Richard Paul
[US/US]; 10 Maple Loft Place, The Woodlands, Texas
77381 (US). ARIZMENDI, Jr., Napoleon [US/US];
11910 Presley Drive, Magnolia, Texas 77355 (US).
- (74) Agents: RAMEY, III, William P. et al.; 1000 Louisiana
Street, Fifty-Third Floor, Houston, Texas 77002 (US).

- (81) Designated States (unless otherwise indicated, for every
kind of national protection available): AE, AG, AL, AM,
AO, AT, AU, AZ, BA, BB, BG, BH, BR, BW, BY, BZ,
CA, CH, CL, CN, CO, CR, CU, CZ, DE, DK, DM, DO,
DZ, EC, EE, EG, ES, FI, GB, GD, GE, GH, GM, GT,
HN, HR, HU, ID, IL, IN, IS, JP, KE, KG, KM, KN, KP,
KR, KZ, LA, LC, LK, LR, LS, LT, LU, LY, MA, MD,
ME, MG, MK, MN, MW, MX, MY, MZ, NA, NG, NI,
NO, NZ, OM, PE, PG, PH, PL, PT, RO, RS, RU, SC, SD,
SE, SG, SK, SL, SM, ST, SV, SY, TH, TJ, TM, TN, TR,
TT, TZ, UA, UG, US, UZ, VC, VN, ZA, ZM, ZW.
- (84) Designated States (unless otherwise indicated, for every
kind of regional protection available): ARIPO (BW, GH,
GM, KE, LR, LS, MW, MZ, NA, SD, SL, SZ, TZ, UG,
ZM, ZW), Eurasian (AM, AZ, BY, KG, KZ, MD, RU, TJ,
TM), European (AT, BE, BG, CH, CY, CZ, DE, DK, EE,
ES, FI, FR, GB, GR, HR, HU, IE, IS, IT, LT, LU, LV,
MC, MK, MT, NL, NO, PL, PT, RO, SE, SI, SK, SM,
TR), OAPI (BF, BJ, CF, CG, CI, CM, GA, GN, GQ, GW,
ML, MR, NE, SN, TD, TG).

Published:

- with international search report (Art. 21(3))
- before the expiration of the time limit for amending the
claims and to be republished in the event of receipt of
amendments (Rule 48.2(h))

- (88) Date of publication of the international search report:
13 January 2011

(54) Title: PROCESSES AND SYSTEMS FOR TREATING OIL AND GAS WELLS

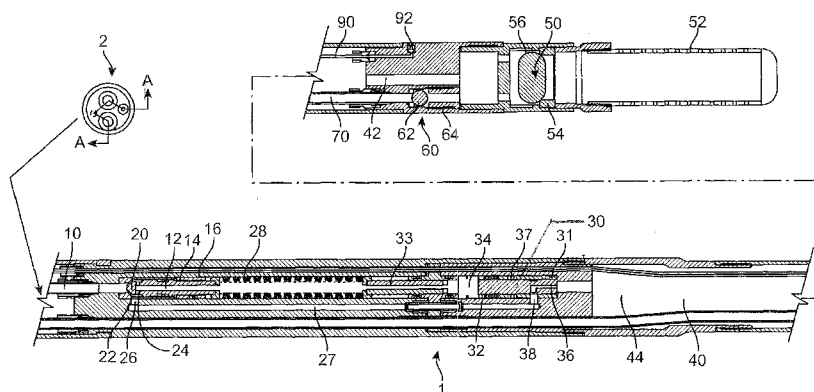


FIG. 1

(57) Abstract: Systems and processes are provided for removing fluid from a subterranean well and enhancing the production of oil and/or gas are herein disclosed. In one embodiment, the system includes an injection conduit, an injection valve, a relief valve, a container, a container valve, a return conduit valve, and a return conduit, all arranged within a subterranean well for removing at least one fluid from the well. The removal of at least one fluid from the well is controlled by the flow of gas into the injection conduit.

WO 2010/124303 A3

A. CLASSIFICATION OF SUBJECT MATTER*E21B 43/12(2006.01)i, E21B 34/10(2006.01)i, E21B 43/16(2006.01)i*

According to International Patent Classification (IPC) or to both national classification and IPC

B. FIELDS SEARCHED

Minimum documentation searched (classification system followed by classification symbols)

E21B 43/12; E21B 34/10; E21B 43/16; F04F 1/06

Documentation searched other than minimum documentation to the extent that such documents are included in the fields searched

Korean utility models and applications for utility models

Japanese utility models and applications for utility models

Electronic data base consulted during the international search (name of data base and, where practicable, search terms used)

eKOMPASS(KIPO internal) & Keywords: container, gas injection conduit, fluid return conduit, valve

C. DOCUMENTS CONSIDERED TO BE RELEVANT

Category*	Citation of document, with indication, where appropriate, of the relevant passages	Relevant to claim No.
A	US 5806598 A (AMANI; MOHAMMAD) 15 September 1998 See Abstract, Fig. 7	1-32
A	US 7445049 B2 (HOWARD WILLIAM F. et al.) 04 November 2008 See Abstract, Fig. 7	1-32
A	US 6691787 B2 (AMANI; MOHAMMAD) 17 February 2004 See Abstract, Fig. 6	1-32
A	US 2007-0235197 A1 (BILLY BECKER et al.) 11 October 2007 See Abstract, Fig. 1	1-32

 Further documents are listed in the continuation of Box C. See patent family annex.

* Special categories of cited documents:

"A" document defining the general state of the art which is not considered to be of particular relevance

"E" earlier application or patent but published on or after the international filing date

"L" document which may throw doubts on priority claim(s) or which is cited to establish the publication date of citation or other special reason (as specified)

"O" document referring to an oral disclosure, use, exhibition or other means

"P" document published prior to the international filing date but later than the priority date claimed

"T" later document published after the international filing date or priority date and not in conflict with the application but cited to understand the principle or theory underlying the invention

"X" document of particular relevance; the claimed invention cannot be considered novel or cannot be considered to involve an inventive step when the document is taken alone

"Y" document of particular relevance; the claimed invention cannot be considered to involve an inventive step when the document is combined with one or more other such documents, such combination being obvious to a person skilled in the art

"&" document member of the same patent family

Date of the actual completion of the international search

16 NOVEMBER 2010 (16.11.2010)

Date of mailing of the international search report

17 NOVEMBER 2010 (17.11.2010)

Name and mailing address of the ISA/KR

Korean Intellectual Property Office
Government Complex-Daejeon, 139 Seonsa-ro, Seo-gu,
Daejeon 302-701, Republic of Korea

Facsimile No. 82-42-472-7140

Authorized officer

KOO, BON CHEOL

Telephone No. 82-42-481-5803



INTERNATIONAL SEARCH REPORT

Information on patent family members

International application No.

PCT/US2010/032467

Patent document cited in search report	Publication date	Patent family member(s)	Publication date
US 5806598 A	15.09.1998	CA 2254722 C WO 97-038226 A1	09.12.2003 16.10.1997
US 7445049 B2	04.11.2008	CA 2474064 C CA 2474064-A1 CA 2563136 C CA 2563136-A1 GB 0417607 D0 GB 2402443 A GB 2402443 B GB 2431182 A US 2003-0159828 A1 US 2003-0159828 A1 US 2006-0081378 A1 US 2006-0081378 A1 US 2006-0151178 A1 US 6973973 B2 US 7311152 B2	08.04.2008 31.07.2003 15.09.2009 12.04.2007 08.09.2004 08.12.2004 12.10.2005 18.04.2007 28.08.2003 28.08.2003 20.04.2006 20.04.2006 13.07.2006 13.12.2005 25.12.2007
US 6691787 B2	17.02.2004	US 2002-0040785 A1	11.04.2002
US 2007-0235197 A1	11.10.2007	EP 2013485 A2 MX 2008012397 A US 2007-0236704 A1 US 2008-0151348 A1 US 2008-0294220 A1 US 7359067 B2 US 7495775 B2 US 7658229 B2 US 7797048 B2 WO 2007-117940 A2 WO 2007-117940 A3 WO 2007-117941 A1 WO 2007-117942 A2 WO 2007-117942 A3	14.01.2009 24.03.2009 11.10.2007 26.06.2008 27.11.2008 15.04.2008 24.02.2009 09.02.2010 14.09.2010 18.10.2007 18.10.2007 18.10.2007 18.10.2007 18.10.2007