



US00D784285S

(12) **United States Design Patent**
Jeon et al.

(10) **Patent No.:** **US D784,285 S**

(45) **Date of Patent:** **** Apr. 18, 2017**

(54) **TELEPHONE**

(71) Applicant: **Samsung Electronics Co., Ltd.**,
Suwon-si, Gyeonggi-do (KR)
(72) Inventors: **Soyoon Jeon**, Guri-si (KR); **Jihee Kwak**, Seoul (KR); **Moonjung Jang**,
Gunpo-si (KR)
(73) Assignee: **SAMSUNG ELECTRONICS CO., LTD.**, Suwon-si, Gyeonggi-Do (KR)

(**) Term: **15 Years**

(21) Appl. No.: **29/531,518**

(22) Filed: **Jun. 26, 2015**

(30) **Foreign Application Priority Data**

Jan. 13, 2015 (KR) 30-2015-0001611

(51) **LOC (10) Cl.** **14-03**

(52) **U.S. Cl.**
USPC **D14/151**

(58) **Field of Classification Search**

USPC ... D14/140, 140.1, 140.7, 140.8, 141.2, 142,
D14/147, 148, 149, 151, 150, 158, 159,
D14/188, 217, 240, 243, 247, 248, 251,
D14/299, 329; D21/517; D18/1, 7;
D10/104.1; 455/557, 575, 575.1, 575.2,
455/575.3, 575.4, 74.1; 710/303;
379/88.17, 90.01, 93.17, 387.01, 388.02,
379/419-420.04, 428.01-428.04,
379/434-436, 440, 446-447, 454-455,
379/93.23
CPC H04M 1/00; H04M 1/003; H04M 1/02;
H04M 1/03; H04M 1/04; H04M 1/0202;
H04M 1/0297; H04M 1/20; H04M 1/21;
H04M 1/22; H04M 1/23; H04M 1/233;
H04M 1/236

See application file for complete search history.

(56) **References Cited**

U.S. PATENT DOCUMENTS

3,384,718 A *	5/1968	Wilder	H04M 1/0202	379/370
D248,234 S *	6/1978	Genaro		379/455
D257,977 S *	1/1981	Blomberg		D14/148
D273,491 S *	4/1984	Perkins		D14/153
D276,721 S *	12/1984	Marshall		D14/150
D278,531 S *	4/1985	McGarvey		379/436
D282,542 S *	2/1986	Mo		379/436
D283,614 S *	4/1986	Somaschini		348/14.01
D284,572 S *	7/1986	Perkins		D14/150
D284,655 S *	7/1986	Marshall		D14/149

(Continued)

Primary Examiner — Susan Bennett Hattan

Assistant Examiner — Marie Fast Horse

(74) *Attorney, Agent, or Firm* — Ladas & Parry LLP

(57) **CLAIM**

We claim the ornamental design for a telephone, as shown and described.

DESCRIPTION

FIG. 1 is the front perspective view of a telephone showing our new design;

FIG. 2 is the front view thereof;

FIG. 3 is the rear view thereof;

FIG. 4 is the left-side view thereof;

FIG. 5 is the right-side view thereof;

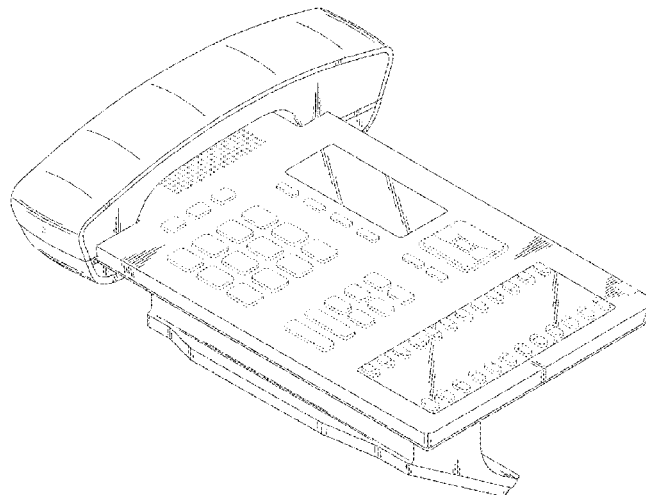
FIG. 6 is the top plan view thereof;

FIG. 7 is the bottom plan view thereof; and,

FIG. 8 is another front perspective view thereof, shown with environmental subject matter.

The broken lines in FIG. 8 showing a cord depict environmental subject matter and form no part of the claimed design, while all other broken lines depict portions of the telephone that form no part of the claimed design. The unshaded surfaces shown between solid lines and broken lines form no part of the claim.

1 Claim, 8 Drawing Sheets



(56)

References Cited

U.S. PATENT DOCUMENTS

D287,493 S * 12/1986 Young D14/148
D287,964 S * 1/1987 Perkins D14/149
D289,755 S * 5/1987 Todeschini D14/153
D326,851 S * 6/1992 Solomita D14/148
D330,201 S * 10/1992 Preece D14/151
D427,985 S * 7/2000 Takayama D14/130
6,445,793 B1 * 9/2002 Vassallo H04M 1/11
379/428.01
D464,035 S * 10/2002 Nam D14/151
6,711,257 B1 * 3/2004 Vassallo H04M 1/22
379/376.01
D552,071 S * 10/2007 Park D14/151
D558,181 S * 12/2007 Takada D14/142
D575,262 S * 8/2008 Brown D14/151
D575,263 S * 8/2008 Brown D14/151
D576,146 S * 9/2008 Brown D14/151
D582,886 S * 12/2008 Woo D14/151
D723,502 S * 3/2015 Chun D14/130
D723,503 S * 3/2015 Jeon D14/130
D733,675 S * 7/2015 Jeon D14/151
D734,289 S * 7/2015 Jeon D14/142
2005/0069126 A1 * 3/2005 Xue H04M 1/12
379/454
2006/0058003 A1 * 3/2006 Lee H04M 1/2535
455/403
2009/0283655 A1 * 11/2009 Fukuda F16M 11/10
248/454

* cited by examiner

FIG. 1

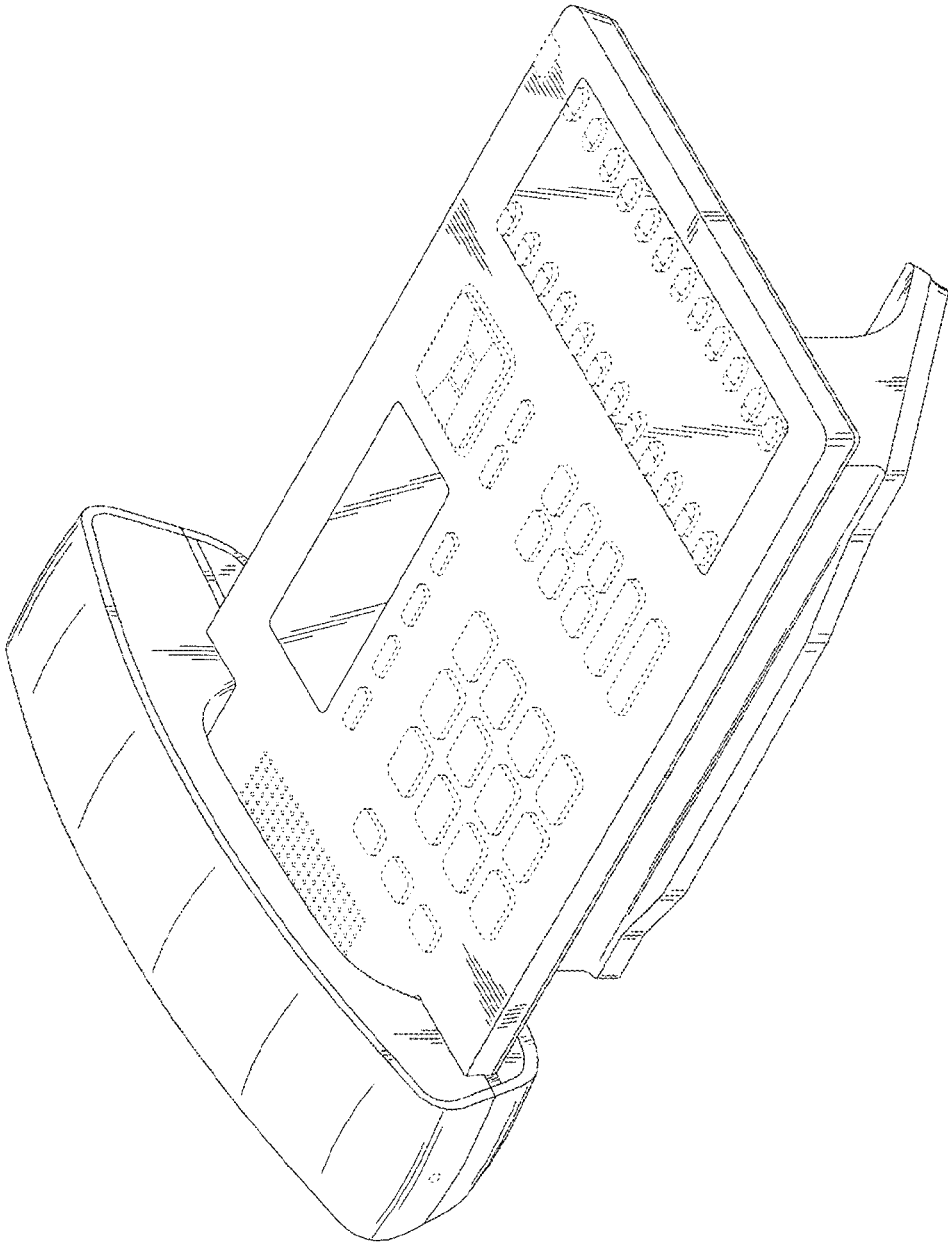


FIG. 2

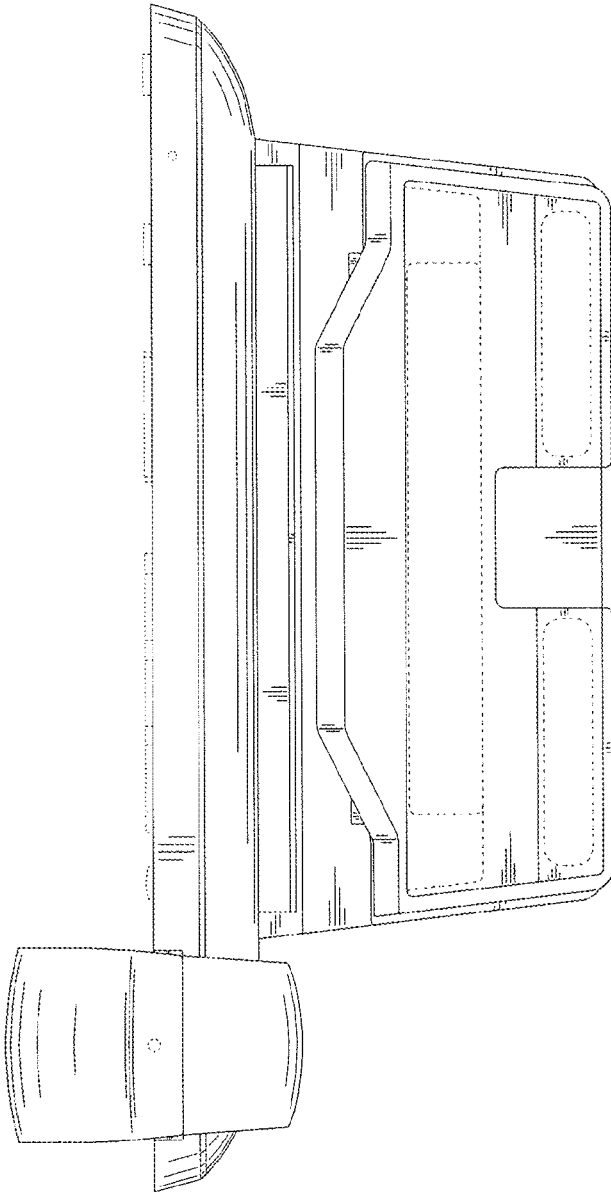


FIG. 3

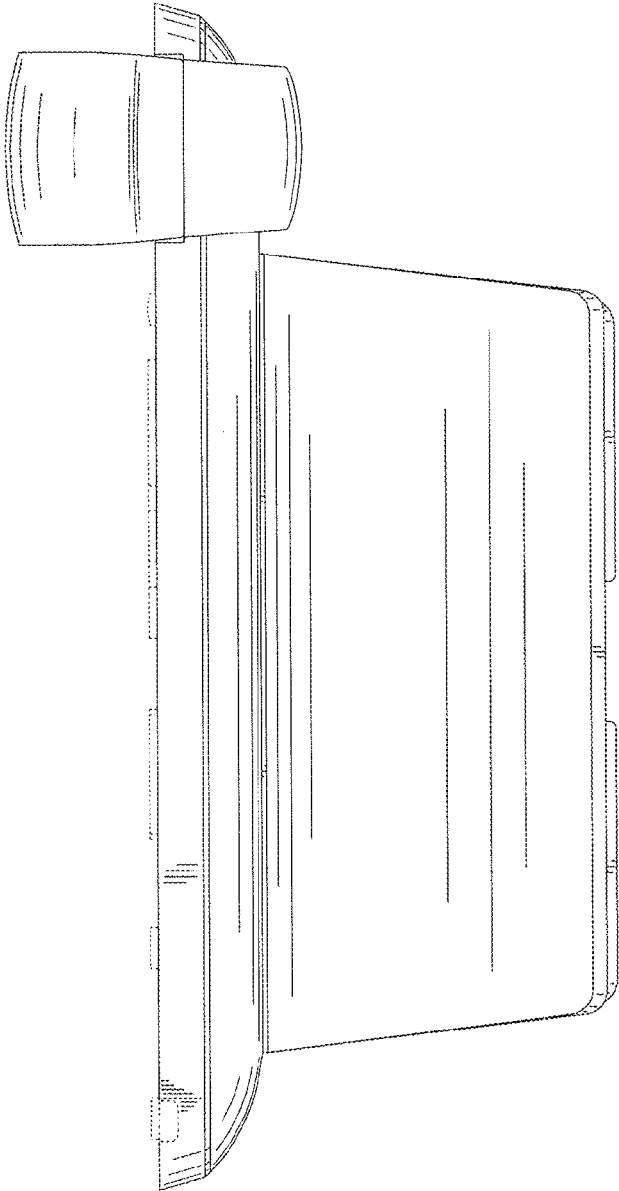


FIG. 4

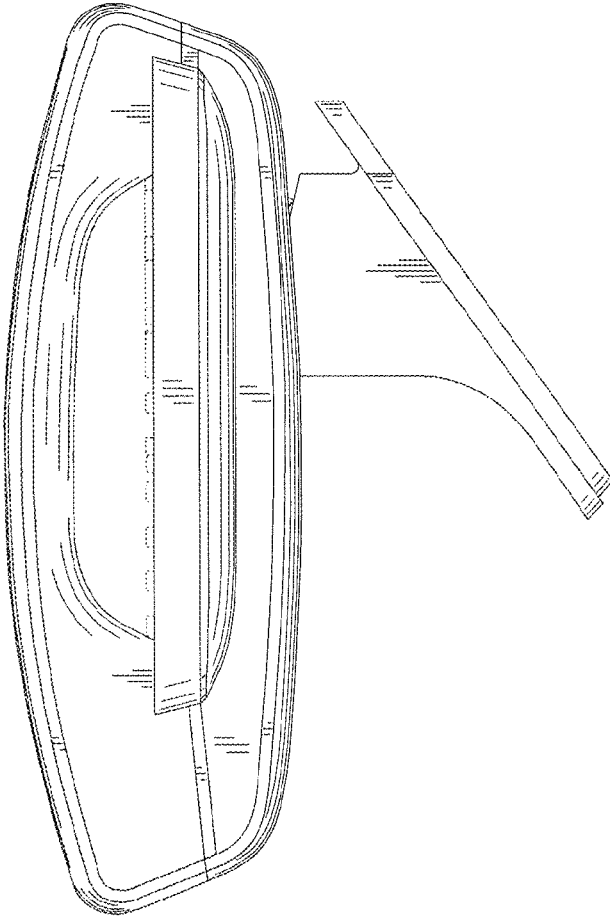


FIG. 5

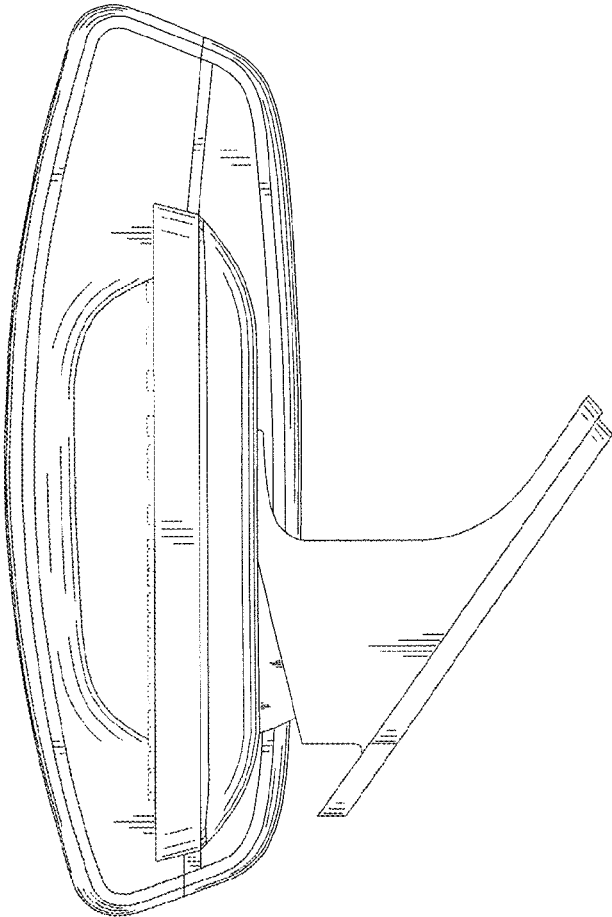


FIG. 6

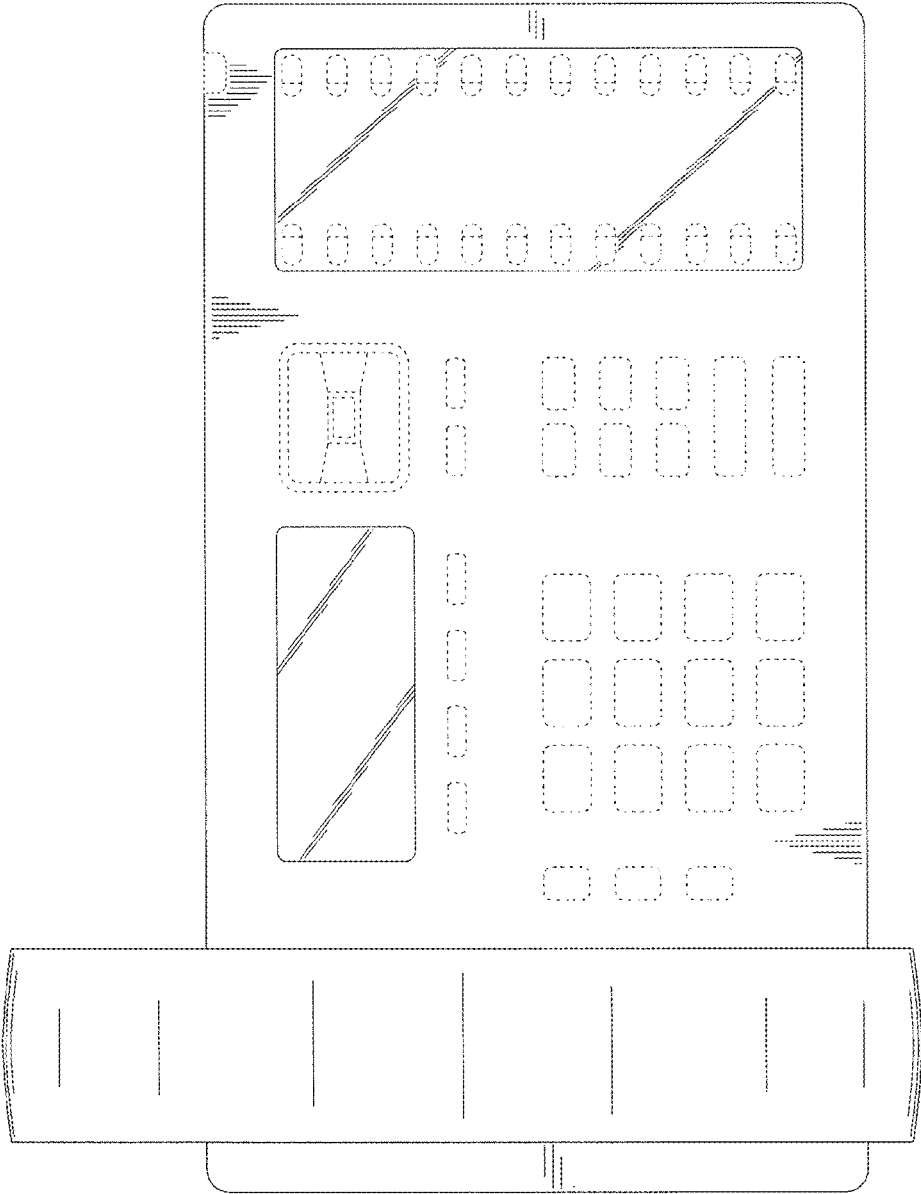


FIG. 7

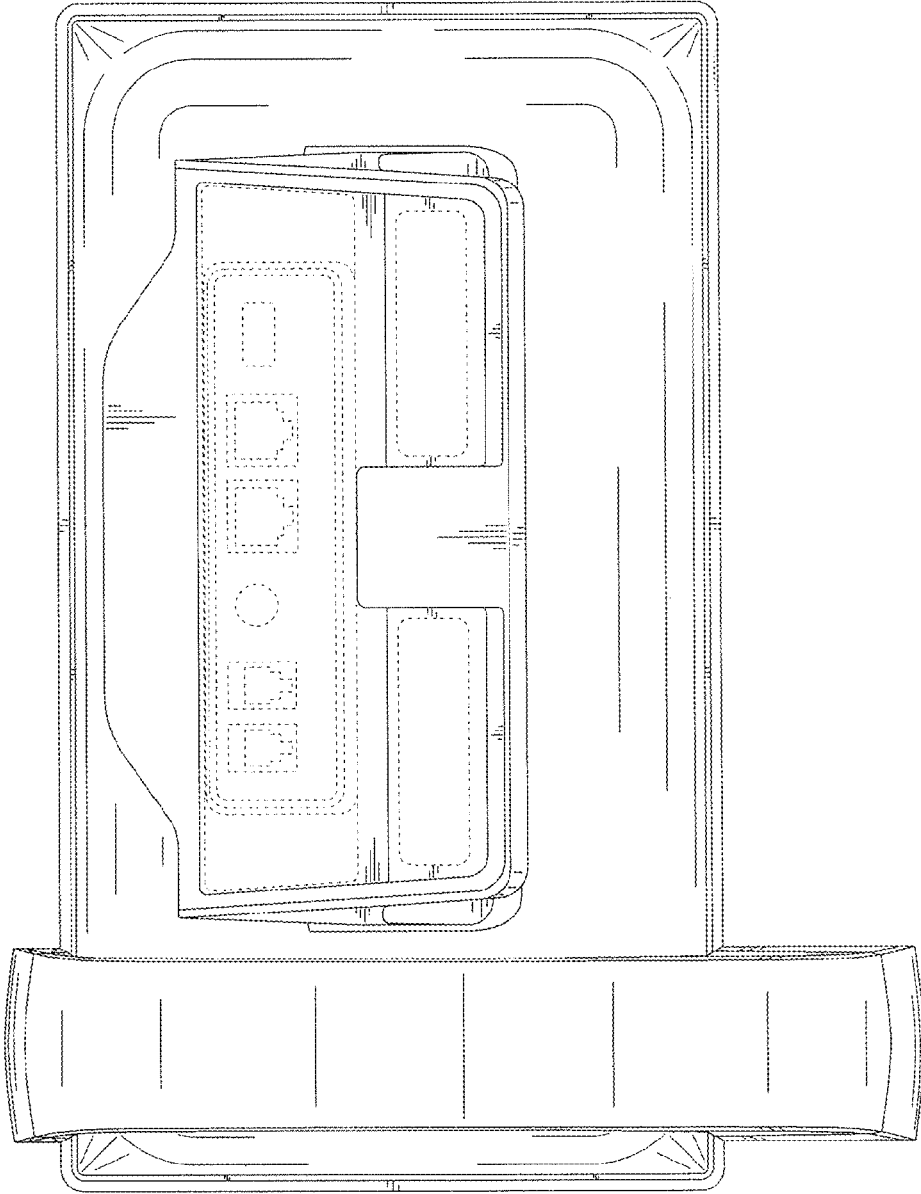


FIG. 8

