



(43) International Publication Date
29 December 2016 (29.12.2016)

- (51) International Patent Classification:
B64C 27/08 (2006.01) *B64D 35/02* (2006.01)
B64C 27/12 (2006.01)
- (21) International Application Number:
PCT/US2016/027369
- (22) International Filing Date:
13 April 2016 (13.04.2016)
- (25) Filing Language: English
- (26) Publication Language: English
- (30) Priority Data:
62/146,943 13 April 2015 (13.04.2015) US
- (72) Inventors; and
- (71) Applicants : **GEISE, David** [US/US]; 3666 Lawnwood Court, San Luis Obispo, California 93401 (US). **GEISE, John** [US/US]; 3666 Lawnwood Court, San Luis Obispo, California 93401 (US).
- (74) Agents: **LEBENS, Thomas F.** et al.; 120 South LaSalle Street, Suite 1600, Chicago, Illinois 60603 (US).
- (81) Designated States (*unless otherwise indicated, for every kind of national protection available*): AE, AG, AL, AM, AO, AT, AU, AZ, BA, BB, BG, BH, BN, BR, BW, BY, BZ, CA, CH, CL, CN, CO, CR, CU, CZ, DE, DK, DM,

DO, DZ, EC, EE, EG, ES, FI, GB, GD, GE, GH, GM, GT, HN, HR, HU, ID, IL, IN, IR, IS, JP, KE, KG, KN, KP, KR, KZ, LA, LC, LK, LR, LS, LU, LY, MA, MD, ME, MG, MK, MN, MW, MX, MY, MZ, NA, NG, NI, NO, NZ, OM, PA, PE, PG, PH, PL, PT, QA, RO, RS, RU, RW, SA, SC, SD, SE, SG, SK, SL, SM, ST, SV, SY, TH, TJ, TM, TN, TR, TT, TZ, UA, UG, US, UZ, VC, VN, ZA, ZM, ZW.

(84) Designated States (*unless otherwise indicated, for every kind of regional protection available*): ARIPO (BW, GH, GM, KE, LR, LS, MW, MZ, NA, RW, SD, SL, ST, SZ, TZ, UG, ZM, ZW), Eurasian (AM, AZ, BY, KG, KZ, RU, TJ, TM), European (AL, AT, BE, BG, CH, CY, CZ, DE, DK, EE, ES, FI, FR, GB, GR, HR, HU, IE, IS, IT, LT, LU, LV, MC, MK, MT, NL, NO, PL, PT, RO, RS, SE, SI, SK, SM, TR), OAPI (BF, BJ, CF, CG, CI, CM, GA, GN, GQ, GW, KM, ML, MR, NE, SN, TD, TG).

Published:

- with international search report (Art. 21(3))
- before the expiration of the time limit for amending the claims and to be republished in the event of receipt of amendments (Rule 48.2(h))

(88) Date of publication of the international search report:
23 February 2017

(54) Title: MULTIROTOR FLYING VEHICLE

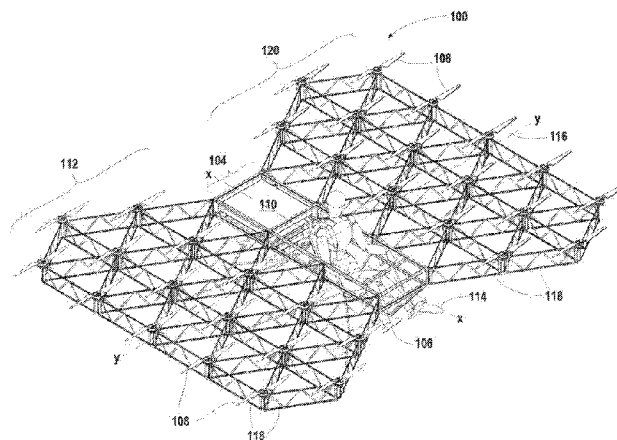


FIG. 1

(57) Abstract: A multirotor flying vehicle including at least one rotor support frame organized on a geometric grid, with a plurality of rotor assemblies coupled to the at least one rotor support frame. At least one power supply is coupled to and powers the rotor assemblies. A control system is coupled to the rotor assemblies and is configured to operate the vehicle.



INTERNATIONAL SEARCH REPORT

International application No.
PCT/US2016/027369**A. CLASSIFICATION OF SUBJECT MATTER****B64C 27/08(2006.01)i, B64C 27/12(2006.01)i, B64D 35/02(2006.01)i**

According to International Patent Classification (IPC) or to both national classification and IPC

B. FIELDS SEARCHED

Minimum documentation searched (classification system followed by classification symbols)

B64C 27/08; B64C 27/14; B64D 27/24; B64C 27/52; B64C 27/22; B64D 31/06; B64C 27/12; B64D 35/02

Documentation searched other than minimum documentation to the extent that such documents are included in the fields searched

Korean utility models and applications for utility models

Japanese utility models and applications for utility models

Electronic data base consulted during the international search (name of data base and, where practicable, search terms used)

eKOMPASS(KIPO internal) & Keywords: multi, rotor, frame, motor, power source, control system, redundancy, truss, actuator and cool

C. DOCUMENTS CONSIDERED TO BE RELEVANT

Category*	Citation of document, with indication, where appropriate, of the relevant passages	Relevant to claim No.
X	US 2015-0012154 A1 (E-VOLVO GMBH) 08 January 2015 See paragraphs [0049], [0069]-[0085], [0117]-[0118] and figures 1-6, 16.	1-9,11,15-18
Y		10,12-14,19-20
Y	US 2014-0151496 A1 (SHAW, DONALD ORVAL) 05 June 2014 See paragraphs [0018], [0075], [0092]-[0094] and figures 2A-2E, 5A-5D.	10,12-14
Y	WO 2014-053057 A1 (SKYKAR INC. et al.) 10 April 2014 See page 8, lines 3-21 and figure 1.	19-20
A	US 2006-0266881 A1 (HUGHEY, BRADLEY WARD) 30 November 2006 See paragraphs [0050]-[0077] and figures 1-12.	1-20
A	JP 2002-347698 A (ISHIGAKI FOODS CO., LTD.) 04 December 2002 See paragraphs [0016]-[0036] and figures 1-4.	1-20

 Further documents are listed in the continuation of Box C. See patent family annex.

* Special categories of cited documents:

"A" document defining the general state of the art which is not considered to be of particular relevance

"E" earlier application or patent but published on or after the international filing date

"L" document which may throw doubts on priority claim(s) or which is cited to establish the publication date of another citation or other special reason (as specified)

"O" document referring to an oral disclosure, use, exhibition or other means

"P" document published prior to the international filing date but later than the priority date claimed

"T" later document published after the international filing date or priority date and not in conflict with the application but cited to understand the principle or theory underlying the invention

"X" document of particular relevance; the claimed invention cannot be considered novel or cannot be considered to involve an inventive step when the document is taken alone

"Y" document of particular relevance; the claimed invention cannot be considered to involve an inventive step when the document is combined with one or more other such documents, such combination being obvious to a person skilled in the art

"&" document member of the same patent family

Date of the actual completion of the international search

19 January 2017 (19.01.2017)

Date of mailing of the international search report

19 January 2017 (19.01.2017)

Name and mailing address of the ISA/KR

International Application Division

Korean Intellectual Property Office

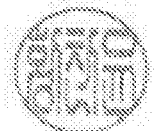
189 Cheongsa-ro, Seo-gu, Daejeon, 35208, Republic of Korea

Facsimile No. +82-42-481-8578

Authorized officer

HWANG, Chan Yoon

Telephone No. +82-42-481-3347



INTERNATIONAL SEARCH REPORT

Information on patent family members

International application No.

PCT/US2016/027369

Patent document cited in search report	Publication date	Patent family member(s)	Publication date
US 2015-0012154 A1	08/01/2015	EP 2817219 A1 WO 2013-124300 A1	31/12/2014 29/08/2013
US 2014-0151496 A1	05/06/2014	EP 2121439 A2 EP 2121439 A4 EP 2121439 B1 IL 200421 A IL 230535 A US 2009-008499 A1 US 2016-167776 A1 US 8453962 B2 US 9108728 B2 WO 2008-147484 A2 WO 2008-147484 A3 WO 2008-147484 A8 WO 2008-147484 A9	25/11/2009 17/11/2010 14/11/2012 31/03/2014 31/05/2016 08/01/2009 16/06/2016 04/06/2013 18/08/2015 04/12/2008 26/02/2009 15/01/2009 16/04/2009
WO 2014-053057 A1	10/04/2014	AU 2013-327362 A1 CA 2892306 A1 EP 2903895 A1 EP 2903895 A4 US 2014-097290 A1 US 2016-244156 A1 US 9346542 B2	21/05/2015 10/04/2014 12/08/2015 01/06/2016 10/04/2014 25/08/2016 24/05/2016
US 2006-0266881 A1	30/11/2006	US 7699260 B2	20/04/2010
JP 2002-347698 A	04/12/2002	None	