



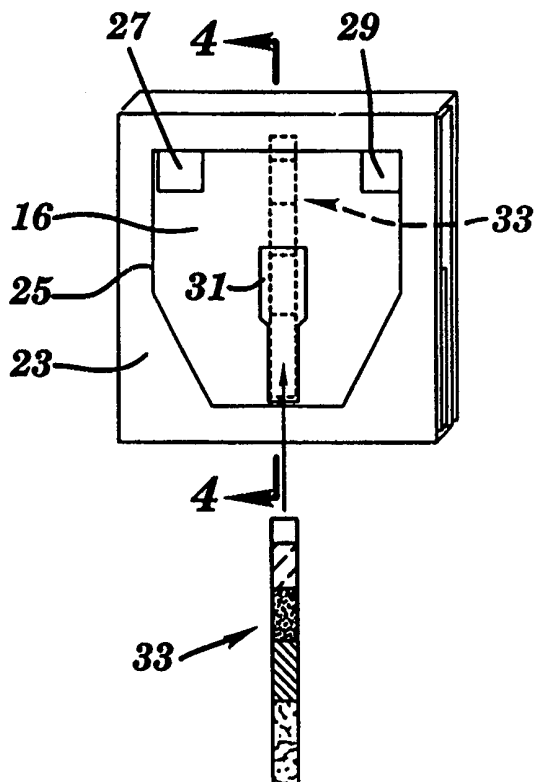
INTERNATIONAL APPLICATION PUBLISHED UNDER THE PATENT COOPERATION TREATY (PCT)

| | | |
|--|------------------|--|
| <p>(51) International Patent Classification ⁶ : G01N 33/531, 21/78</p> | <p>A1</p> | <p>(11) International Publication Number: WO 99/18436 (43) International Publication Date: 15 April 1999 (15.04.99)</p> |
| <p>(21) International Application Number: PCT/AU98/00830 (22) International Filing Date: 5 October 1998 (05.10.98) (30) Priority Data: 08/944,858 6 October 1997 (06.10.97) US PP 3461 11 May 1998 (11.05.98) AU (71)(72) Applicant and Inventor: CHANDLER, Howard, Milne [AU/AU]; 157 Church Street, Ryde, NSW 2112 (AU). (74) Agents: SLATTERY, John, Michael et al.; Davies Collison Cave, 1 Little Collins Street, Melbourne, VIC 3000 (AU).</p> | | <p>(81) Designated States: AL, AM, AT, AU, AZ, BA, BB, BG, BR, BY, CA, CH, CN, CU, CZ, DE, DK, EE, ES, FI, GB, GD, GE, GH, GM, HR, HU, ID, IL, IS, JP, KE, KG, KP, KR, KZ, LC, LK, LR, LS, LT, LU, LV, MD, MG, MK, MN, MW, MX, NO, NZ, PL, PT, RO, RU, SD, SE, SG, SI, SK, SL, TJ, TM, TR, TT, UA, UG, US, UZ, VN, YU, ZW, ARIPO patent (GH, GM, KE, LS, MW, SD, SZ, UG, ZW), Eurasian patent (AM, AZ, BY, KG, KZ, MD, RU, TJ, TM), European patent (AT, BE, CH, CY, DE, DK, ES, FI, FR, GB, GR, IE, IT, LU, MC, NL, PT, SE), OAPI patent (BF, BJ, CF, CG, CI, CM, GA, GN, GW, ML, MR, NE, SN, TD, TG). Published <i>With international search report.</i></p> |

(54) Title: APPARATUS AND METHOD FOR ANALYTE DETECTION

(57) Abstract

Disclosed is a testing device and methods for the identification of an analyte of interest in a sample. In a preferred embodiment, the testing device includes a front panel having at least one sample application aperture; a rear panel having at least one solvent application aperture; a sample collection matrix disposed between the rear panel and the front panel, the sample collection matrix being in communication with the sample and solvent application apertures of the front and rear panels; and at least one insertable test strip containing a reagent enabling detection of the analyte of interest.



FOR THE PURPOSES OF INFORMATION ONLY

Codes used to identify States party to the PCT on the front pages of pamphlets publishing international applications under the PCT.

| | | | | | | | |
|-----------|--------------------------|-----------|--|-----------|--|-----------|--------------------------|
| AL | Albania | ES | Spain | LS | Lesotho | SI | Slovenia |
| AM | Armenia | FI | Finland | LT | Lithuania | SK | Slovakia |
| AT | Austria | FR | France | LU | Luxembourg | SN | Senegal |
| AU | Australia | GA | Gabon | LV | Latvia | SZ | Swaziland |
| AZ | Azerbaijan | GB | United Kingdom | MC | Monaco | TD | Chad |
| BA | Bosnia and Herzegovina | GE | Georgia | MD | Republic of Moldova | TG | Togo |
| BB | Barbados | GH | Ghana | MG | Madagascar | TJ | Tajikistan |
| BE | Belgium | GN | Guinea | MK | The former Yugoslav Republic of Macedonia | TM | Turkmenistan |
| BF | Burkina Faso | GR | Greece | | | TR | Turkey |
| BG | Bulgaria | HU | Hungary | ML | Mali | TT | Trinidad and Tobago |
| BJ | Benin | IE | Ireland | MN | Mongolia | UA | Ukraine |
| BR | Brazil | IL | Israel | MR | Mauritania | UG | Uganda |
| BY | Belarus | IS | Iceland | MW | Malawi | US | United States of America |
| CA | Canada | IT | Italy | MX | Mexico | UZ | Uzbekistan |
| CF | Central African Republic | JP | Japan | NE | Niger | VN | Viet Nam |
| CG | Congo | KE | Kenya | NL | Netherlands | YU | Yugoslavia |
| CH | Switzerland | KG | Kyrgyzstan | NO | Norway | ZW | Zimbabwe |
| CI | Côte d'Ivoire | KP | Democratic People's Republic of Korea | NZ | New Zealand | | |
| CM | Cameroon | KR | Republic of Korea | PL | Poland | | |
| CN | China | KZ | Kazakstan | PT | Portugal | | |
| CU | Cuba | LC | Saint Lucia | RO | Romania | | |
| CZ | Czech Republic | LI | Liechtenstein | RU | Russian Federation | | |
| DE | Germany | LK | Sri Lanka | SD | Sudan | | |
| DK | Denmark | LR | Liberia | SE | Sweden | | |
| EE | Estonia | | | SG | Singapore | | |

APPARATUS AND METHOD FOR ANALYTE DETECTION

FIELD OF THE INVENTION

5

This invention relates to an apparatus and method for the direct or indirect detection of an analyte in a sample, particularly but not exclusively for detection of an analyte in a biological sample. The present invention is particularly useful for ascertaining the health status of a human or other animal or a plant or other life form
10 or the environmental status of a geographical or industrial location by ascertaining the presence or absence of an analyte.

BACKGROUND OF THE INVENTION

15 A variety of diagnostic devices have been developed for the detection of an analyte of interest in a sample. In those devices in which sample collection and testing functions are non-linked, the transfer of collected sample to testing apparatus introduces a potential source of error. In those devices in which sample collection and testing functions are linked, the devices are dedicated in their entirety to the detection
20 of a particular analyte and are not easily adaptable to a wide range of analyte detection.

The issue of self-diagnosis of serious disease such as cancer or AIDS has been considered at length. There is general consensus that self-diagnosis of such disease
25 states is not preferred. Rather, it is generally accepted that a positive diagnosis for such a disease state should be communicated by a doctor, together with information relating to the availability of counselling services.

With respect to mammalian systems (e.g. humans), samples amenable to
30 analysis using the testing device of the present invention include biological fluids (e.g. blood, urine, semen, saliva, etc.) or excrements. Such biological fluids can carry a

- 2 -

variety of analytes, the presence of which can be diagnostic for a particular disease state. An important example of a disease state which is characterised by the presence of a disease-specific analyte in a biological fluid is Acquired Immunodeficiency Syndrome (AIDS). Using the device and method of the present invention, the presence of antibodies specific for the Human Immunodeficiency Virus (HIV), the causative agent of AIDS, in a blood sample are detectable.

The application of the subject invention to the detection of disease states in humans is of primary importance. However, in addition to use in the context of the diagnosis of serious disease states, the present invention is also useful in a variety of other contexts. Applications in connection with the analysis of microbes, plants, animals, food and water are all anticipated.

For example, ground water samples can be analysed for the presence of contaminants such as atrazine. Food, such as ground beef, can be analysed for the presence of contamination by bacteria such as *E. coli*. In the plant kingdom, the present invention can be applied to the analysis of, for example, pollen, spores and plant vascular fluids. Generally speaking, the only requirement for detection using the device and method of the present invention is that the analyte of interest should be soluble or suspendible in an aqueous solution.

The device and method of the present invention are particularly useful for the detection of occult gastrointestinal bleeding. The detection of occult gastrointestinal bleeding is a common method for screening for colo-rectal cancer. Commonly referred to as the faecal occult blood (FOB) test, a variety of formats are known in the art (see e.g., U.S. Patent Nos. 3,996,006; 4,225,557; 4,789,629; 5,064,766; 5,100,619; 5,106,582; 5,171,528; 5,171,529; and 5,182,191).

The majority of test formats are based on the chemical detection of heme groups present in stool as a breakdown product of blood. In such tests, the pseudoperoxidase nature of the heme group is used to catalyse a colorimetric reaction

between an indicator dye and peroxide. The oxygen sensitive dye can be gum guaiac, orthodianisidine, tetramethylbenzidine, or the like with guaiac being preferred.

While guaiac-based FOB tests are inexpensive and simple to use, there are
5 disadvantages associated with their use. For example, guaiac-based tests indicate only the presence of peroxidase and pseudoperoxidase compounds, such as heme, that are present in a sample. Consequently, these tests are not specific for human blood, and are therefore subject to false-positive results if the patient's stool is contaminated with cross-reacting compounds. Such cross reacting compounds
10 include, for example, non-human blood breakdown products from under-cooked meat, certain vegetable products, and some drugs. According to currently accepted medical practice, a patient demonstrating a positive result should then undergo a flexible sigmoidoscopy or colonoscopy to identify the source of the bleeding in the colon or rectum. These procedures can be invasive, medically complicated, and expensive. To
15 minimize false positive reactions and the unnecessary follow-up procedures, guaiac based FOB tests require a restrictive diet for up to three days prior to testing.

Recent reports in the literature (Allison, et al. N. Eng. J. Med . 344: 155-159 (1996); and Favennec et al., Annales de Biologie Clinique 50: 311-313 (1992)) have
20 suggested that screening by guaiac and confirmation of positive results by an immunological test, with absolute specificity for human blood, would increase the value of FOB test results. By this means, only those patients with confirmed gastrointestinal bleeding would be subjected to the expensive follow-up procedures, leading to significant savings in health care delivery cost and reduced inconvenience to the
25 patient.

The present invention relates to a device which is useful *inter alia* for the detection of any aqueous soluble or suspendible analyte which is detectable, for example, on the basis of immunological and/or chemical properties. An example of
30 an analyte detected by its immunological properties includes, but is not limited to, an immune interacting molecule such as an antigen, hapten, immunoglobulin or T-cell

- 4 -

derived antigen binding molecule. An example of an analyte detected by chemical properties includes an enzyme, catalyst or ligand. Thus, with respect to FOB tests, the device of the present invention can be adapted to either guaiac-based testing, or immunological testing. The preferred format for immunological testing is immunochromatography. This format is described generally in U.S. Patent Nos. 5,591,645 and 5,622,871, the disclosures of which are incorporated herein by reference.

Prior to discussing the invention in greater detail, a brief review of the immunochromatography process will be provided to establish certain principles. To detect an analyte of interest by immunochromatography, two binding reagents which bind specifically and non-competitively to the analyte of interest may be employed. A first specific binding reagent is labelled and is free to migrate. When introduced to a sample to be tested for the presence of the analyte of interest, the first specific binding reagent binds to the analyte of interest, if present. The second specific binding reagent is immobilized in a detection zone on a liquid-conductive solid phase material, the detection zone being remote and downstream from the location of initial contact between the first binding reagent and the analyte of interest. A solvent front carrying the mobile first specific binding reagent complexed with analyte of interest (if present) migrates along the liquid-conductive solid phase material through the detection zone. If analyte is present in the sample, the immobilised second specific binding reagent binds the analyte thereby forming an immobilised sandwich complex comprising the first specific binding reagent (which is labelled), the analyte of interest, and the second specific binding reagent (which is immobilised). Detection of the label immobilised in the detection zone is indicative of the presence of analyte of interest in the sample. In most embodiments, the first and second specific binding reagents are either polyclonal or monoclonal antibodies.

SUMMARY OF THE INVENTION

30

The present invention relates to a testing device and methods for the

- 5 -

identification of an analyte of interest in a sample. The testing device offers a variety of advantages over prior art devices. An important feature of the testing device of the present invention is that the single device serves a collection and testing function. However, the testing function is not linked to collection. That is, the collection of a
5 sample (e.g. by a patient in their home) and application to the testing device does not yield a test result. In order to determine the test result, an insertable testing element must be inserted into the device, and if the sample has previously been dried or desiccated the sample must be rehydrated. In practice, the testing element will not be provided with the device and, therefore, the patient will not self-diagnose at home.

10

In one aspect, the present invention provides a testing device for the identification of an analyte of interest in a sample, comprising:

- (a) a sample application matrix adapted for receipt of a sample, and
15
- (b) at least one insertable testing element adapted for communication with the sample application matrix such that components of the sample are carried from the sample application matrix to the testing element or elements.

20 Preferably, the sample is a liquid containing sample. The sample may itself be a liquid or it may be in particulate or solid form like hydrates prior to testing.

In accordance with this invention, the or each testing element is adapted to be inserted into the test device so that the testing element is in liquid-conductive
25 communication with the sample application matrix as described above.

As used herein, the term "liquid-conductive communication" shall be taken to mean that a liquid applied to a sample application matrix is capable of being in liquid-conductive communication with a test element under sufficient conditions of hydration

30

In a preferred but not essential aspect of this invention, the testing device is

- 6 -

adapted so that a sample applied to the device (for example, by a patient in their home) may be dried or desiccated on the sample application matrix. Accordingly, in this aspect, the testing device comprises:

- 5 (a) a sample application matrix adapted for:
- (i) receipt of a liquid-containing sample;
 - (ii) desiccation of the liquid-containing sample *in situ*; and
 - (iii) rehydration of the desiccated liquid-containing sample for transfer to a testing element; and

10

- (b) at least one insertable testing element adapted for liquid-conductive communication with the sample application matrix such that upon rehydration, resolubilised or resuspended components of the liquid-containing sample are carried from the sample application matrix to the testing element or elements.

15

In one embodiment of this invention, the testing device may comprise:

- (a) a front panel having at least one sample application aperture therein;
- 20 (b) a rear panel having at least one buffer application aperture therein;
- (c) a sample application matrix disposed between the rear panel and the front panel, the sample application matrix being in communication with the sample and buffer application apertures of the front and rear panels; and
- 25 (d) at least one insertable testing element adapted for liquid-conductive communication with the sample application matrix such that components of the liquid-containing sample are carried from the sample application matrix to the testing element or elements.

30

Preferably, the or each insertable testing element comprises a reagent or

reagents enabling detection of the analyte of interest.

The present invention also provides a method for conducting an assay for identifying an analyte of interest in a sample, comprising:

5

(a) providing a testing device comprising a sample application matrix adapted for receipt of a liquid containing sample;

(b) applying a liquid-containing sample to the sample application matrix;

10

(c) inserting into the testing device at least one insertable testing element in liquid-conductive communication with the sample application matrix such that components of the liquid-containing sample are carried from the sample application matrix to the testing element or elements; and

15

(d) determining the test results.

In one embodiment, the method comprises:

20 (a) providing a testing device comprising:

(i) a front panel having at least one sample application aperture therein;

(ii) a rear panel having at least one buffer application aperture therein;

and

(iii) a sample application matrix disposed between the rear panel and the

25

front panel, the sample application matrix being in communication with the sample and buffer application apertures of the front and rear panels;

(b) applying a liquid-containing sample to the sample application matrix;

30

(c) inserting into the testing device at least one insertable testing element in liquid-

- 8 -

5 conductive communication with the sample application matrix, for example an immunochromatographic test strip, comprising a liquid-conductive solid phase material and a backing material, the insertable immunochromatographic test strip having a contact zone which, following insertion, contacts the sample application matrix and conducts a solvent front from the sample application matrix through a detection zone which contains a specific binding reagent, the detection zone being spatially distinct from the contact zone;

10 (d) applying buffer to the sample application matrix; and

(e) determining the test results, for example by observing immunochromatographic results.

15 Throughout this specification, unless the context requires otherwise, the word "comprise", and or variations such as "comprises" or "comprising", will be understood to imply the inclusion of a stated integer or step or group of integers or steps but not the exclusion of any other integer or step or group of integers or steps.

20 Preferred embodiments of the present invention are comprised of a housing having a front panel and a rear panel; a sample application matrix disposed between the front panel and the rear panel, the housing being adapted for application of the sample to the sample application matrix; a testing element insertion window in the housing; and at least one insertable testing element which, when inserted, communicates with the sample application matrix. In preferred embodiments, at least
25 one aperture is provided in the housing which is in direct communication with the sample application matrix. This aperture provides access to the sample application matrix for the purpose of applying sample.

30 In other embodiments, multiple apertures in the housing are provided for sample application thereby facilitating, for example, the testing of samples collected on multiple days in a single test or alternatively, the testing of multiple samples collected on a

single day in a single test.

In an important embodiment of the present invention, the device comprises two or more insertable testing elements each of which, when inserted, communicates with
5 the sample application matrix. In this embodiment, the testing elements may be either the same or they may be different. In the former case, replicate tests may be carried out on the sample or samples applied to the sample application matrix. In the latter case, different tests may be carried out on the same sample or samples applied to the sample application matrix. By way of example, in FOB testing for screening for colo-
10 rectal cancer, one insertable testing element may be a guaiac-based FOB test element, whilst another insertable testing element may be an immunochromatographic test element.

The housing is preferably constructed of a flexible, creasable, water-resistant
15 material. Examples of such material include coated paper or card stock, or thin plastic sheet stock. In preferred embodiments, the housing is constructed from a single sheet of stock which is folded to create a plurality of panels or faces, including the front panel and the rear panel. Alternatively, multiple webs may be laminated together to construct a similar structure.

20

The sample application matrix is disposed between the front and rear panel and may be attached to either of the two panels with a non-soluble adhesive. The selection of a material for the sample application matrix is, to some degree, dependent upon the type of sample to be applied. Generally speaking, however, an open-celled, chemically
25 inert matrix (e.g., porous plastic, filter paper, glass fiber) is preferred. Such an open-celled matrix allows rapid and complete desiccation of the sample *in situ*. Rapid and complete desiccation minimizes the possibility of sample breakdown due, for example, to microbial presence. Following sample application, the testing device is returned to a physician or testing laboratory for completion of the test process.

30

Given the description which follows, one of skill in the art will recognize that the

- 10 -

testing element or elements may be provided in an array of alternative embodiments. Referring to the immunochromatographic embodiment, for example, a required element of the test strip is a liquid-conductive solid phase material to which a detection reagent (described above as the second specific binding reagent) may be immobilized.

5 This solid phase material is preferably nitrocellulose. Nitrocellulose is a charged matrix to which an appropriately charged reagent, such as a monoclonal antibody, may be immobilized without prior chemical treatment. Alternatives such as filter paper may also be used, however, chemical coupling (e.g., CNBr coupling) is required to attach a charged reagent such as an antibody to a matrix of this type.

10

A preferred liquid-conductive solid phase material is a nitrocellulose membrane having a pore size of at least about 1 micron. Nitrocellulose membranes best adapted for use in connection for immunochromatography of this type have a pore size of about 5-20 microns. The selection of particular pore size dictates flow rate.

15 Depending upon the particular application, a faster or slower flow rate may be indicated and an appropriate solid phase material is selected.

To facilitate handling, it is desirable to provide a backing to the nitrocellulose membrane. A thin plastic sheet stock (e.g., lexan or polystyrene) may be cut to

20 provide a suitable water resistant backing for the solid support. Such sheet stock is selected so as not to interfere with the reading of a test result. For example, the selection of a white or clear sheet stock is generally preferred. In an alternative embodiment, the liquid conductive solid phase material may be sandwiched between such water resistant sheet stock.

25

When inserted into the housing, the or each test element is designed to communicate with the sample application matrix. Although this communication may be direct between the sample application matrix and the liquid-conductive solid support, in a preferred immunochromatography embodiment, additional elements are

30 incorporated. For example, a conjugate pad may be provided. In use, the conjugate pad is disposed between the sample application matrix and the liquid-conductive solid

- 11 -

support of the testing element. As will be discussed in greater detail below, the conjugate pad provides a matrix for the deposition of a labelled detection reagent which is free to migrate when rehydrated (the first specific binding reagent in the brief review of immunochromatography provided above). The sample is desiccated within
5 the sample application matrix prior to the insertion of the testing element. At the time of rehydration during the testing step, the labelled detection reagent within the conjugate pad is also resuspended and resolubilized. If analyte is present in the sample, the labelled reagent binds to the analyte and the complex is carried along with the solvent front to the detection zone of the testing element. While the conjugate pad
10 may communicate directly with both the liquid-conductive solid support and the sample application matrix, additional elements may be incorporated as discussed in the Description of Preferred Embodiments Section which follows.

At the end of the testing element distal to the sample application matrix when
15 in use, an optional absorbent pad is attached, in communication with the liquid-conductive solid phase material. This pad provides a solvent sink which drives the migration of the liquid sample through the detection zone. It is important that the absorbent pad have sufficient volume to drive the migration to the extent that substantially all unbound labelled detection reagent is carried beyond the detection
20 zone of the testing element. One of skill in the art will recognize that an absorbent pad is a non-essential element. The need for this element can be obviated, for example, by extending the length of the liquid-conductive solid phase material beyond the detection zone such that a sufficient volume is carried through the detection zone.

25 In use, a sample is applied to the sample application matrix, preferably through an aperture in the housing which is in direct communication with said matrix. The sample is applied to the sample application matrix in a conventional manner. For example, a fecal smear may be applied to the sample application matrix. Alternatively, toilet bowl water may be sampled using an absorbent swab. In the latter sampling
30 method, a short time may be allowed for hemoglobin to diffuse from the stool prior to sampling, or the swab may be used to disperse the stool into the toilet bowl water. The

- 12 -

swab is then used to sample the water and transfer it by touching or "painting" the sample collection matrix. The liquid sample transferred is typically nearly colorless.

Depending upon the nature of the analyte, the testing device with sample
5 applied may be stored in this form for a period of days, weeks or months prior to testing. To determine the presence of an analyte, the sample is rehydrated by adding an appropriate solution to the sample application matrix. The solution can be added through the same housing aperture(s) through which sample was applied. However, in most instances it is preferable to provide a second aperture, or aperture series,
10 the housing through which solvent is applied. This second aperture, or aperture series, is also in communication with the sample application matrix. Preferably, solvent applied through a solvent application aperture must migrate through the region of the sample application matrix where sample was actually applied, prior to reaching the point on the sample application matrix which communicates with the testing element.

15

The labelled detection reagent may be introduced into the immunochromatography assay in a variety of ways. For example, the labelled detection reagent may be solubilized in the solution used to rehydrate the contents of the sample application matrix prior to the resolubilization of the sample components.
20 Alternatively, as discussed above, the labelled detection reagent may be introduced in solution into the conjugate pad and desiccated *in situ*. In this embodiment, the labelled detection reagent is resolubilized as the resolubilization solution migrates from the sample application matrix to the testing element. In yet another embodiment, a solution containing the labelled detection reagent may be added to the sample
25 application matrix prior to the application of the sample. This solution is then desiccated *in situ*. In this embodiment, analyte of interest, if present, and labelled detection reagent will be solubilized from the dry sample application matrix at the time of testing.

30 Of the embodiments described in the preceding paragraph, the use of a conjugate pad is preferred for most embodiments. The addition of the labelled

- 13 -

detection reagent to the resolubilization solution prior to sample resolubilization has the disadvantage of using the expensive detection reagent (which could require storage at 4°C) in an inefficient manner. With respect to the desiccation *in situ* of the labelled detection reagent in the sample application pad prior to sample application, this would
5 result in the establishment of a test device in which the housing element is dedicated to a particular assay. One of the many benefits of the disclosed device is the fact that the housing (together with other elements of the device excluding the testing element) is totally generic. Thus, the test housing component of the testing device can be purchased in bulk and stored as needed for any of a variety of testing requirements.
10 The relatively expensive test-specific component is the testing element which can be selected for a particular need and used in conjunction with the generic housing.

Preferably the labelled detection reagent is a monoclonal or polyclonal antibody specific for a first epitope of the analyte of interest, coupled to a detectable label. The
15 detectable label can be coupled to the antibody by any of the applicable techniques known in the art including, for example, covalent bonding and passive adsorption.

The detectable label may be a direct or an indirect label. A direct label is a label which is readily visible in its natural state, either to the naked eye, or with the aid of
20 optical devices. A label which is visible only in the presence of external stimulation, such as ultraviolet light, is also considered to be a direct label. Examples of direct labels include dye sols (e.g., colloidal carbon), metallic sols (e.g., gold and iron), fluorescent particles and colored latex particles.

25 Indirect labels require the addition of one or more developing reagents, such as substrates, to facilitate detection. Such labels include, for example, enzymes such as alkaline phosphatase and horseradish peroxidase.

The immobilized capture reagent is also typically a monoclonal or polyclonal
30 antibody which is specific for a second epitope or range of epitopes on the analyte of interest. Thus, analyte present in the sample, whether bound by the detection reagent

- 14 -

or not, is bound by the immobilized binding reagent in the detection zone. In a case in which a direct label is employed, a visible line appears on the liquid-conductive solid support as bound label accumulates in the detection zone. The appearance of this line may be diagnostic for the presence of analyte of interest in the sample.

5

An optional control zone can also be integrated into the testing element. The function of a control zone is to convey an unrelated signal to the user which indicates only that the testing process is complete and that the binding interaction which results in the detectable unrelated signal has taken place as expected. For example, the control zone may comprise an "anti-mouse" polyclonal antibody immobilized to the liquid-conductive solid phase material, preferably downstream of the detection zone. Assuming that the detection reagent is a murine monoclonal antibody linked to a detectable label, detection reagents not bound in the detection zone through a sandwich interaction involving the analyte of interest will ultimately bind in the control zone. In the absence of a signal in the detection zone, a control zone signal would indicate to the user that, for example, the sample contained nothing that resulted in general interference with an immunological assay. It can be imagined, for example, that extremes of pH or salt concentration could result in general interference through conformational changes or physical destruction on one or more of the participants in the immunologically based interaction to be detected. The inclusion of a control zone functions to provide a degree of confidence with respect to such variables.

The analyte of interest is determined in advance to be one which is diagnostic of a particular condition. For example, in connection with POB tests, the analyte of interest is preferably human hemoglobin.

The method and apparatus of the present invention is applicable to detecting analytes in humans and other animals. Other animals include primates, livestock animals (e.g. cows, sheep, horses, donkeys, pigs), laboratory test animals (e.g. rabbits, mice, rats, guinea pigs, hamster), companion animals (e.g. dogs, cats) and captive wild animals. The present invention also extends to detecting analytes in

plants (e.g. monocotyledons and dicotyledons) and other life forms (e.g. microbes, yeasts, fungi, moulds). The present invention may also be used to detect analytes in geographic and industrial locations, including soil, oceans, rivers, water storage regions, toxic waste dumps, building sites, mining areas (e.g. coal, bauxite, uranium, graphite amongst many others) as well as in the air. The health status of humans, and other animals or plants or other life forms may be deduced or determined in the presence or level of analyte or by the absence of analyte. The environmental status may also be ascertained such as determining the presence of contaminants in various geographic or industrial locations.

10

BRIEF DESCRIPTION OF THE DRAWINGS

Fig. 1 is a perspective view from the front of the device of the present invention.

15

Fig. 2 is a perspective view from the rear of the device of the present invention.

Fig. 3 is an exploded cross-sectional view of the testing element of the present invention.

20

Fig. 4 is a cross-sectional view of the device of the present invention as taken along line 4-4 in Fig. 2B.

Fig. 5 is a top view of the device of the present invention as shown in pre-folded form.

25

Fig. 6 is a top view of an alternative embodiment of the device of the present invention, shown in pre-folded form.

DESCRIPTION OF PREFERRED EMBODIMENTS

30

By way of example only, certain preferred embodiments of the invention will now

be described in detail with reference to the accompanying drawings.

Referring to Fig. 1, the testing device of the present invention is shown as configured for the detection of fecal occult blood in stool by immunochromatographic methods. Fig. 1A shows the device of the present invention with a front panel cover (10) comprising two sample application cover flaps (11 and 13) in the closed position. By raising flap (11), a patient exposes a first sample application aperture (14) in the front panel (17) of the device (Fig.1B). The first sample application aperture is in communication with a sample application matrix (18) (shown in Fig.4). Sample is applied to the sample application matrix (18) via the sample application aperture (14). Following application of the sample, cover flap (11) is closed and sealed. A pressure sensitive adhesive with a removable backing strip (19) is provided for this purpose. The process is then repeated on a second consecutive day and sample is applied via the sample application aperture located behind flap (13). While the embodiment shown in Figs. 1A and 1B has only two sample application apertures, this is intended to be non-limiting . The sealed testing device is then forwarded to a doctor's office or testing laboratory for determination of test results.

Upon receipt, a technician at the doctor's office or testing laboratory opens the testing window (25) located on the rear panel cover (23), as show in Fig. 2A. Perforations are provided for the opening or removal of the testing window to facilitate access. Opening or removal of the testing window (25) reveals several apertures which characterize the rear panel (16). These include solvent application apertures (27 and 29) and testing element insertion aperture (31). A testing element (33) is then inserted into the testing element insertion aperture (31). The testing element (33) contains a reagent enabling the detection of the analyte of interest in the sample.

The testing element is shown in exploded cross-section in Fig. 3. The testing element is comprised of a liquid-conductive solid phase material (35) which is preferably nitrocellulose membrane. To facilitate handling, a backing sheet (39) is provided. Non-absorbent plastics such as lexan or polystyrene are preferred backing

- 17 -

sheet materials. Preferred embodiments also include one or more layers of high capacity liquid conducting material referred to herein as "bridging layers". A bridging layer (38) is shown in Fig. 3. In the embodiment of Fig. 3, a conjugate pad (37) is disposed between bridging layer (38) and the liquid conductive-solid phase material (35). As discussed above in connection with preferred immunochromatographic 5 embodiments, the conjugate pad contains labelled detection reagent desiccated *in situ*. An absorbent pad (41) is also provided as a component of testing element (33). The absorbent pad (41) functions as a solvent sink thereby driving the migration of the solvent front. The elements shown in Fig. 3 are assembled using a non-water soluble 10 adhesive. It will be evident that the overlap of elements such as bridging layer (38) and conjugate pad (37) creates a progressive wedging effect which results in good liquid conductive contact between the sample application matrix (18) and the testing element (33), following insertion of the testing element (33) into the testing element insertion aperture (31). Immobilized capture reagent is attached to the liquid-conductive solid 15 phase material thereby creating a detection zone (43) on testing element (33).

Fig. 4 is a cross-Section of the device with the testing element (33) inserted. Fig. 4 shows many of the previously discussed elements including, for example, testing element (33) and individual components thereof (absorbent pad (41), 20 liquid-conductive solid phase material (35), conjugate pad (37), bridging layer (38) and backing sheet (39)); sample application cover flap (13); front panel (17) with sample application aperture (15); rear panel (16); rear panel cover (23) with testing window (25); and sample application matrix (18). Also shown is an optional element not previously discussed. This optional element is referred to as a spacer panel (42). The 25 spacer panel, which is shown in greater detail in Fig. 5, functions to create a testing element insertion void space between the sample application matrix (18) and the front panel (17) in the assembled device. Spacer panel (42) includes a second testing element insertion aperture (44) and embossed point (48) also shown in Fig. 5. As shown in Fig. 4, when testing element (33) is inserted, it occupies this testing element 30 insertion void space. The progressive wedging referred to previously in connection with Fig. 3 results in good liquid-conductive contact between the sample application matrix

- 18 -

(18) and the testing element (33).

Again referring to Fig. 4, following insertion of the testing element, the technician rehydrates the sample by adding a solvent to the sample application matrix (18) via solvent aperture (29) in rear panel (16). The solvent solubilizes sample components in the sample application matrix (18) and carries the solubilized components through bridging layer (38) and into the conjugate pad (37) with the solvent front. In the conjugate pad (37), labelled detection reagent is solubilized and binds to analyte if present in the sample. The solvent front, and any soluble materials carried with the solvent front, then move on to the liquid-conductive solid phase material (35). If analyte is present in the sample, a visibly detectable complex comprising analyte, labelled detection reagent and immobilized capture reagent forms in detection zone (43).

In a preferred embodiment, front panel cover (10), rear panel cover (23), front panel (17), rear panel (16) and spacer panel (42) are produced from a single sheet of stock by appropriate cutting and folding. Referring to Fig. 5, a generally rectangular sheet of stock is provided. Solvent application apertures (27 and 29) and a testing element insertion aperture (31) are cut in rear panel (16). Sample application apertures (14 and 15) are cut in front panel (17). The outline of the diagnostic window (25) is perforated in the rear panel cover (23). The front panel cover (10) is cut to form two flaps (11 and 13) which will seal the sample application apertures following sample application. Pressure sensitive adhesive (19) is provided for sealing sample application cover flaps (11 and 13). Spacer panel (42) is cut to provide a second testing element insertion aperture (44). In addition, the spacer panel (42) is optionally embossed at embossed points (46 and 48). As an alternative to embossed points (46 and 48), optional spacer elements may be attached to spacer panel (42) using an adhesive. The function of the optional embossed points (46 and 48) or the alternative optional spacer elements, is to increase the testing element insertion void space between the sample application matrix (18) and the front panel (17) in the assembled device, if desirable. Whether or not to include such optional elements depends, for example, on the relative thicknesses of the sample application matrix (18) and the stock from which

the housing is produced. Folds are made along lines D-D, C-C, B-B, and A-A to form the housing. Prior to folding, the sample application matrix is appropriately positioned and adhesive is applied in appropriate locations to aid in maintaining the relationship of elements in the folded housing.

5

An alternative embodiment of the device of the present invention as described in detail in Figs.1 to 5, incorporating more than one insertable testing element, is shown in Fig. 6. In this embodiment the rear panel (16) is provided with two testing element insertion apertures (31,32) and the sample application matrix (18) is
10 configured so as to provide good liquid conductive contact between the sample application matrix (18) and individual testing elements (33) inserted into each aperture (31,32). The spacer panel (42) includes two second testing element insertion apertures (44,45) corresponding in position to apertures (31,32) so that individual testing elements (33) each occupy the testing element void space as previously
15 described, and are each in good liquid-conductive contact with the sample application matrix. Of course, similar devices may be configured for use with more than two insertable testing elements. As previously described, in this alternative embodiment, the two or more insertable testing elements (33) may be the same (providing replicate tests of the same sample applied to the sample application matrix), or they may be
20 different testing elements (so as to provide different tests of the same sample applied to the sample application matrix). In a particularly preferred embodiment for use in FOB testing, one element may be a guaiac-based testing element and another element may be an immunochromatographic testing element.

25 In addition to the accumulation and aggregation of samples of discrete temporal origin (i.e. samples taken on separate days) as discussed hereinabove, the present invention may advantageously be utilized to accumulate and aggregate samples of discrete spatial and/or biological origin.

30 An example of spatially distinct samples includes soil and/or ground water samples obtained from various distinct geographic locations and/or sources. In this

- 20 -

manner, in addition to the above described medical diagnostic applications, the present invention may be used in non-medical testing, such as for detecting environmental toxins.

- 5 Examples of biologically distinct samples include urine, blood, sweat and saliva samples, which may be particularly useful in applications such as drug screening, in which a particular analyte may be present in one or more of such samples.

The samples may be applied in substantially any form, i.e., liquid or dried, and
10 may be applied to one or more locations of the sample application matrix 18. For example, several sample application apertures (14, 15, etc.) may be provided, with a single sample being applied to each aperture. Alternatively, a plurality of samples may be applied to a single application aperture. In this regard, liquid samples may be mixed in a separate device (i.e. a test tube), prior to application to a sample aperture.
15 Similarly, it may be possible to apply multiple liquid samples sequentially to a single application aperture. In one example of this approach, the liquid samples may be permitted to dry *in situ* prior to application of subsequent samples.

Subsequent liquid samples also may be applied to the matrix without waiting for
20 earlier applied liquid samples to dry, such as with an eye dropper, etc., whereby the liquid samples will be absorbed by the matrix. These mixed, liquid samples may be subsequently desiccated *in situ*. One skilled in the art will recognize that the number of samples capable of being applied in this manner is limited by the porosity and volume of the matrix, i.e. additional samples may not be applied once the matrix is
25 fully saturated.

Similarly, dried or solid samples, e.g. samples dried on paper discs, may be accumulated by stacking the discs within a single aperture. Subsequent application of liquid to hydrate the matrix solubilizes the samples, permitting them to pass through
30 the porous paper disc material and aggregate in the manner described hereinabove.

- 21 -

Usage of the invention as so described advantageously enables identification of intermittently expressed analytes, as in the case of multi-day FOB testing for intermittent bleeding. In addition, the invention enables successful screening in the event analyte levels are low, perhaps below the threshold of detection for a single sample, by aggregating the signal generated by multiple samples to bring it up to detectable levels.

Persons skilled in the art will recognize that any combination of the aforementioned samples, such as any combination of liquid and dried samples, of distinct temporal, spatial, biological and/or non-distinct origin, may be applied to a single or multiple locations on the sample application matrix, without departing from the spirit and scope of the present invention.

15

EXEMPLIFICATION

CONSTRUCTION OF TESTING DEVICE

Test elements were manufactured by laminating the following components to a white plastic support (high impact polystyrene, 0.5mm), coated on one surface with adhesive (3M, St. Paul, MN, #465 transfer tape), as shown in Fig 3:

- 1) nitrocellulose membrane (Millipore, Bedford, MA, Type STHF0200, 18mm) striped with monoclonal anti-human hemoglobin antibody at 2mg/ml;
- 2) absorbent for absorbent pad (Ahlstrom, Mt. Holly Spring, PA, Grade 904, 18mm);
- 3) conjugate pad (General Polymeric, Reading, PA, 25 micron UHMWPE skived tape, 10mm) infiltrated and dried *in situ* with polyclonal anti-human hemoglobin antibody conjugated to colloidal gold (EY Laboratories, San Mateo, CA); and

25
30

- 4) conductive paper for bridging layer (Ahlstrom, Grade 1281).

Following lamination, the web was slit at 6mm intervals to form individual test elements.

5

Housings (73mm X 76.2mm), as depicted in Fig. 5, were manufactured from waterproofed (polycoated) SBS cardboard. The sample application matrix (Porex, Fairburn, GA, HDPE Type 4588) was applied to the rear panel of the housing with transfer adhesive (3M, #465).

10

EXAMPLE 1

Human blood was diluted 1:10,000 and 1:100,000 in distilled water. For each of the dilutions of blood, and for a control sample of distilled water, 25 μ l was added to each of the two sample application apertures of a testing device and allowed to air dry for two hours. 100 μ l reconstituting reagent (P.B.S. containing 0.5% Bovine Serum Albumin, 1% Triton X100 and 0.1% sodium azide) was added to each solvent application aperture and a test strip inserted. A clear red line developed on the test strip with the two blood dilutions, i.e. positive detection, whereas the water sample gave no detectable signal (i.e. a negative result).

In an otherwise identical experiment, the same blood dilutions were added (25 μ l for each) to Hemocult (SmithKline Diagnostics, Palo Alto, CA) slides and a ColoCare (Helena Laboratories, Beaumont, TX) test pad (a device for detecting blood in the toilet bowl water that is added directly to the toilet bowl).

RESULTS

| | 10 ⁻⁴ | 10 ⁻⁵ | Water |
|-----------------------------|------------------|------------------|-------|
| Hemocult | + | - | - |
| ColoCare | + | - | - |
| Device of present invention | + | + | - |

30

EXAMPLE 2

5 Fresh human blood (50 μ l) was added to the water in a toilet bowl (~2L). After full dispersion of the added blood, the water was sampled with a Dacron swab (Hardwood products, Guildford, ME) and transferred to a Hemocult card and to the sample application matrix of the device of the present invention. Following the sampling, a ColoCare pad was added to the toilet bowl and observed for any change
10 in color.

RESULTS

 The device of the present invention readily detected the blood, whereas water
15 taken from the bowl before the addition of the blood tested negative. The Hemocult and ColoCare tests remained clearly negative with the water to which the blood had been added.

CLAIMS:

1. A testing device for the identification of an analyte of interest in a sample, comprising:
 - a. a sample application matrix adapted for receipt of a sample, and
 - b. at least one insertable testing element adapted for liquid-conductive communication with the sample application matrix such that components of the liquid-containing sample are carried from the sample application matrix to the testing element or elements.
2. The testing device of claim 1, wherein the or each testing element is adapted to be inserted into the test device so that the testing element is in liquid-conductive communication with said sample application matrix.
3. The testing device of claim 1, wherein the analyte of interest is an antibody, antigen, haptenor a molecule capable of interacting with same.
4. The testing device of claim 3, wherein the antigen or hapten is a diagnostic indicator of a disease state in an organism.
5. The testing device of claim 4, wherein the organism is a human.
6. The testing device of claim 5, wherein the disease state is selected from the group consisting of cancer and pathogenic infection.
7. The testing device of claim 3, wherein the antigen or hapten is a contaminant in food or water.
8. The testing device of claim 7, wherein the antigen or hapten is associated with a disease state in an organism.

- 25 -

9. The testing device of claim 8, wherein the organism is a human.
10. The testing device of claim 4, wherein the disease state is characterised by occult gastrointestinal bleeding.
11. The testing device of claim 10, wherein the analyte of interest is hemoglobin, or a fragment thereof.
12. The testing device of claim 1, wherein the or each insertable test strip is an immunochromatographic test strip.
13. The testing device of claim 12, wherein the or each immunochromatographic test strip comprises a liquid-conductive solid phase material affixed to a backing material.
14. The testing device of claim 13, wherein the or each immunochromatographic test strip is comprised of a contact zone which, following insertion, contacts the sample collection matrix and conducts a solvent front from the sample collection matrix through a detection zone which contains a specific binding reagent, the detection zone being spatially distinct from the contact zone.
15. The testing device of claim 14, wherein the specific binding reagent in the detection zone is an antibody specific for a human blood component.
16. The testing device of claim 15, wherein the human blood component is hemoglobin or a fragment thereof.
17. The testing device of claim 1, wherein the sample is fecal material.
18. The testing device of claim 17, wherein the fecal material is obtained by sampling toilet bowl water.

19. A testing device for the identification of an analyte of interest, comprising:
 - a. sample application matrix adapted for:
 - i. receipt of a liquid-containing sample;
 - ii. desiccation of the liquid-containing sample *in situ*; and
 - iii. rehydration of the desiccated liquid-containing sample for transfer to a testing element; and
 - b. at least one insertable testing element adapted for liquid-conductive communication with the sample application matrix such that upon rehydration, resolubilized or resuspended components of the liquid sample are carried from the sample application matrix to the testing element or elements.

20. The testing device of claim 19, wherein the or each testing element is adapted to be inserted into the test device so that the testing element is in liquid-conductive communication with said sample application matrix.

21. A testing device for the identification of an analyte of interest, comprising:
 - a. a front panel having at least one sample application aperture therein;
 - b. a rear panel having at least one solvent application aperture therein;
 - c. a sample collection matrix disposed between the rear panel and the front panel, the sample collection matrix being in communication with the sample and solvent application apertures of the front and rear panels; and
 - d. at least one insertable testing element adapted for liquid-conductive communication with the sample application matrix such that components of a liquid-containing sample are carried from the sample application matrix to the testing element or elements.

22. The testing device of claim 21, wherein the or each insertable testing element comprises a reagent or reagents enabling detection of the analyte of interest.

23. The testing device of claim 21, further comprising a front panel cover and a rear panel cover which, when closed, restrict access to the sample application aperture and the solvent application aperture.
24. The testing device of claim 23, further comprising a spacer panel disposed between the front panel and the rear panel, said spacer panel being designed to create a testing element insertion void space between the sample application matrix and the front panel in the assembled device.
25. The testing device of claim 21, wherein the analyte of interest is an immune interacting molecule.
26. The testing device according to claim 25, wherein the immune interacting molecule is an antigen, hapten, immunoglobulin or T-cell derived antigen binding molecule.
27. The testing device of claim 25, wherein the antigen or hapten is a diagnostic indicator of a disease state in an organism.
28. The testing device of claim 27, wherein the organism is a human.
29. The testing device of claim 27, wherein the disease state is selected from the group consisting of cancer and pathogenic infection.
30. A method for conducting an assay for identifying an analyte of interest in a sample, comprising:
 - a. providing a testing device comprising a sample application matrix adapted for receipt of a sample;
 - b. applying a sample to the sample application matrix;
 - c. inserting into the testing device at least one insertable testing element

- 28 -

in liquid-conductive communication with the sample application matrix such that components of the sample are carried from the sample application matrix to the testing element or elements; and

d. determining the test results.

31. The method of claim 30, which comprises:

a. providing a testing device comprising:

i. a front panel having at least one sample application aperture therein;

ii. a rear panel having at least one solvent application aperture therein; and

iii. a sample application matrix disposed between the rear panel and the front panel, the sample application matrix being in communication with the sample and solvent application apertures of the front and rear panels;

b. by applying a liquid-containing sample to the sample application matrix;

c. inserting into the testing device at least one insertable testing element in liquid-conductive communication with the sample application matrix, the or each said testing element comprising an immunochromatographic test strip, comprising a liquid-conductive solid phase material and a backing material, and having a contact zone which, following insertion, contacts the sample application matrix and conducts a solvent front from the sample application matrix through a detection zone which contains a specific binding reagent, the detection zone being spatially distinct from the contact zone;

d. applying solvent to the sample application matrix; and

e. determining the test results by observing immunochromatographic results.

32. A method for conducting an immunochromatographic assay, comprising:

- 29 -

- a. providing an immunochromatographic testing device comprising:
 - i. a front panel having at least one sample application aperture therein;
 - ii. a rear panel having at least one solvent application aperture therein; and
 - iii. a sample collection matrix disposed between the rear panel and the front panel, the sample collection matrix being in communication with the sample and solvent application apertures of the front and rear panels;
 - b. applying to the sample application matrix, a sample of a bodily fluid or excrement;
 - c. inserting into the immunochromatographic testing device at least one insertable immunochromatographic test strip, comprising a liquid-conductive solid phase material and a backing material, the or each insertable immunochromatographic test strip having a contact zone which, following insertion, contacts the sample collection matrix and conducts a solvent front from the sample collection matrix through a detection zone which contains a specific binding reagent, the detection zone being spatially distinct from the contact zone;
 - d. applying solvent to the sample application matrix; and
 - e. determining test results by observing immunochromatographic results.
33. A testing device for the identification of an analyte of interest, said testing device comprising
- a sample application matrix adapted for receiving a plurality of samples at discrete locations thereon, and aggregating the samples;
- wherein a single test may be performed to simultaneously determine presence of the analyte of interest in a plurality of samples having discrete origin.
34. The testing device of claim 33, further comprising at least one insertable testing

element adapted for liquid-conductive communication with said sample application matrix such that upon hydration, solubilized or suspended components of said plurality of samples are carried from said sample application matrix to said testing element or elements.

35. The testing device of claim 34, wherein said sample application matrix is adapted for :
- i. receipt of a liquid-containing sample;
 - ii. desiccation of the liquid-containing sample *in situ*; and
 - iii. rehydration of the desiccated liquid-containing sample for transfer to said testing element or elements.
36. The testing device of claim 34, wherein the or each testing element is adapted to be inserted into the test device so that the testing element is in liquid-conductive communication with said sample application matrix.
37. The testing device of claim 33, wherein said sample application matrix is adapted for receipt of a dried sample.
38. A testing device for the identification of an analyte of interest, said testing device comprising:
- a. a housing having at least one sample orifice selectively openable and sealable for admitting and sealably maintaining a plurality of samples therein, and at least one test orifice adapted for insertion of a testing element or elements therein;
 - b. a sample application matrix disposed within said housing in communication with said at least one sample orifice and said at least one test orifice, said sample application matrix adapted for:
 - i. receipt of the plurality of samples thereon; and
 - ii. aggregating the plurality of samples, wherein the plurality of samples of discrete origin are adapted for being applied and

- 31 -

sealed within said testing device, and subsequently tested in the aggregate.

39. The testing device of claim 38, wherein said sample application matrix is adapted to receive the plurality of samples at a single location thereon.
40. The testing device of claim 39, wherein the plurality of samples are mixed with one another prior to receipt by said matrix.
41. The testing device of claim 38, wherein said sample application matrix is adapted to receive the plurality of samples at discrete locations thereon, said matrix being adapted for aggregating the samples upon said insertion of the testing element or elements.
42. The testing device of claim 38, wherein said at least one sample orifice further comprises a plurality of sample orifices selectively openable and sealable for admitting and sealably maintaining the plurality of samples therein.
43. The testing device of claim 38, wherein the plurality of samples are of discrete temporal origin.
44. The testing device of claim 38, wherein the plurality of samples are of discrete spatial origin.
45. The testing device of claim 38, wherein the plurality of samples are of discrete biological origin.
46. The testing device of claim 38, further comprising at least one testing element adapted for insertion through the or each said test orifice for testing the plurality of samples.

- 32 -

47. The testing device of claim 38, wherein said sample application matrix is further adapted for hydration of the plurality of samples.
48. The testing device of claim 47, wherein at least one of the plurality of samples contain liquid, and said sample application matrix is further adapted for:
desiccation of the at least one of the plurality of samples *in situ*;
rehydration of the desiccated at least one sample; and
aggregation of resolubilized or resuspended components of said at least one sample with at least one other of the plurality of samples for testing.
49. The testing device of claim 47, wherein the or each said testing element is adapted for application of liquid to said sample application matrix for said hydration.
50. A testing device for the identification of an analyte of interest from a plurality of samples, at least one of the plurality of samples containing liquid, said testing device comprising:
a sample application matrix adapted for:
receipt of the plurality of samples at discrete locations thereon;
desiccation of the at least one of the plurality of samples *in situ*;
hydration of the plurality of samples; and
aggregation of solubilized or suspended components of the plurality of liquid samples for analyte analysis, wherein a single test may be performed to simultaneously determine presence of the analyte of interest in a plurality of samples having discrete origin.
51. A method for identification of an analyte of interest from a plurality of samples, said method comprising the steps of:
a. providing a testing device having a sample application matrix;
b. applying the plurality of samples to the matrix;

- 33 -

- c. aggregating components of the plurality of samples for analyte analysis; and
 - d. utilizing a single test to simultaneously determine presence of the analyte of interest in the plurality of samples.
52. The method of claim 51, wherein said aggregating step c. further comprises the step of hydrating the plurality of samples.
53. The method of claim 51, wherein said aggregating step c. further comprises the step of e. mixing the samples prior to said applying step b.
54. The method of claim 53, wherein said mixing step e. further comprises mixing samples in a liquid state.
55. The method of claim 53, wherein said mixing step e. further comprises mixing samples in a dried state.
56. The method of claim 55, wherein said mixing step e. further comprises stacking a plurality of samples in dried state on the sample application matrix.

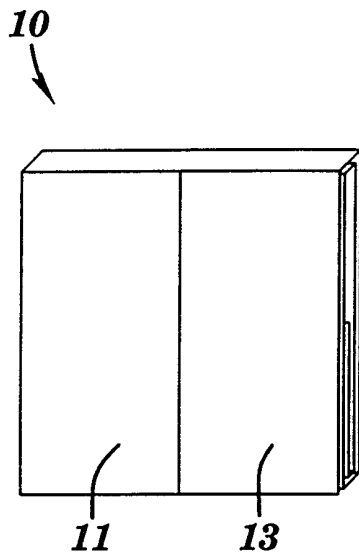


FIG. 1A

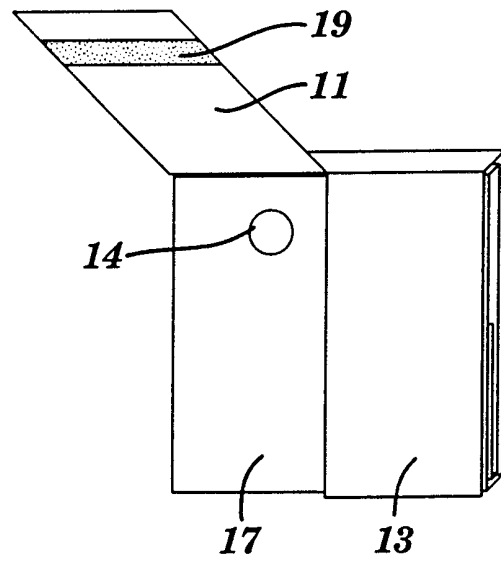


FIG. 1B

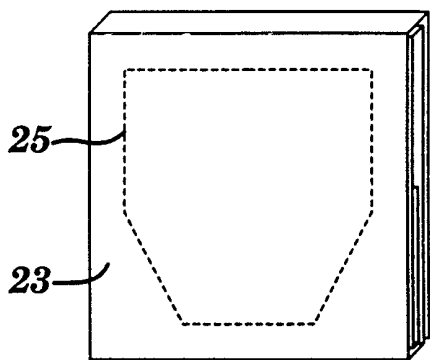


FIG. 2A

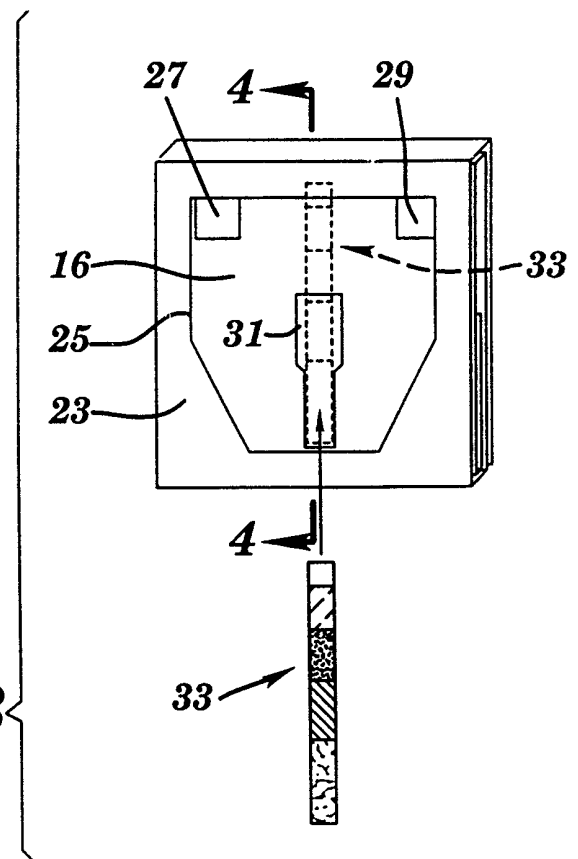


FIG. 2B

FIG. 3

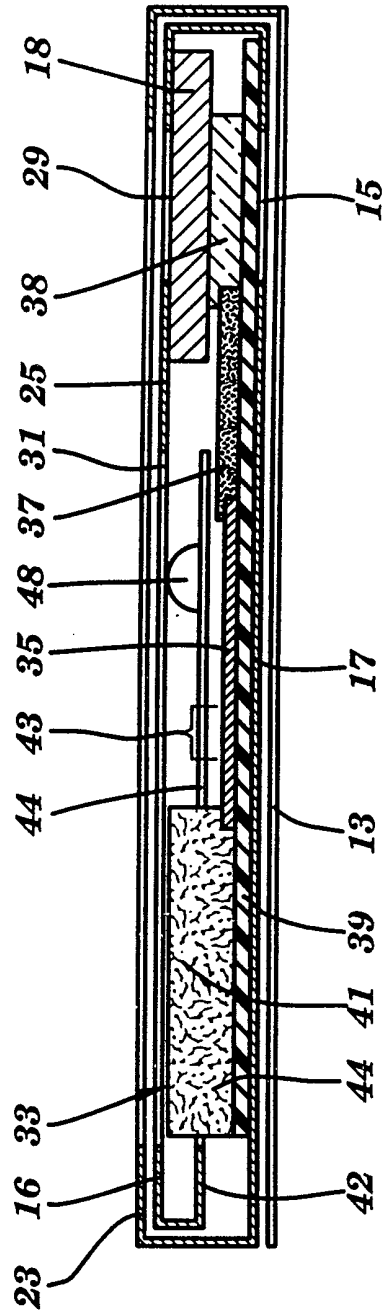
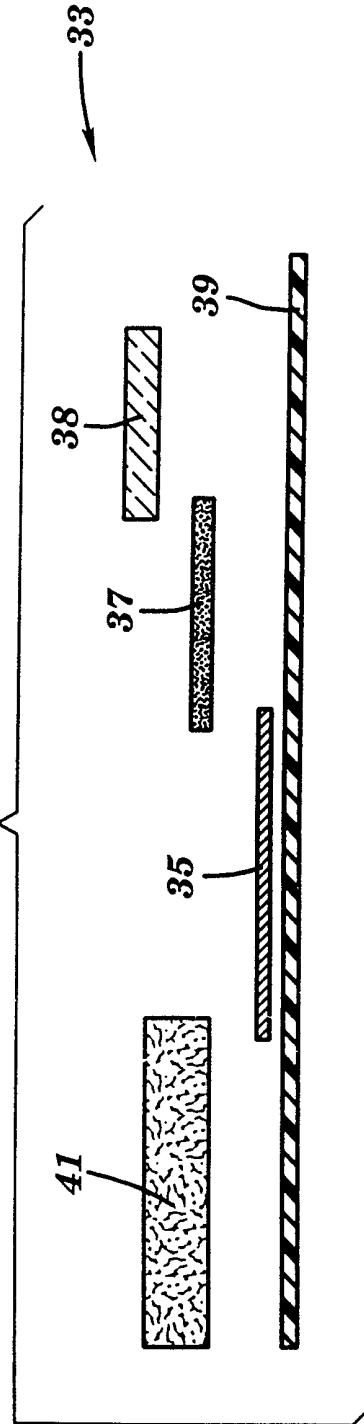


FIG. 4

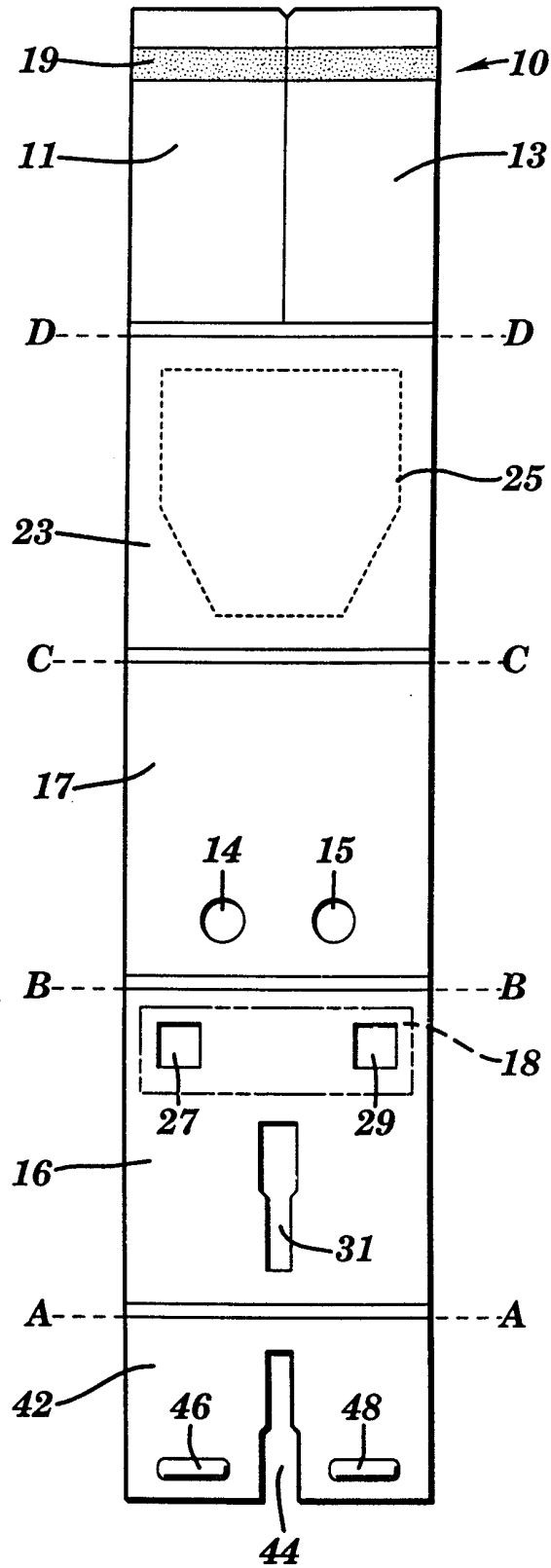


FIG. 5

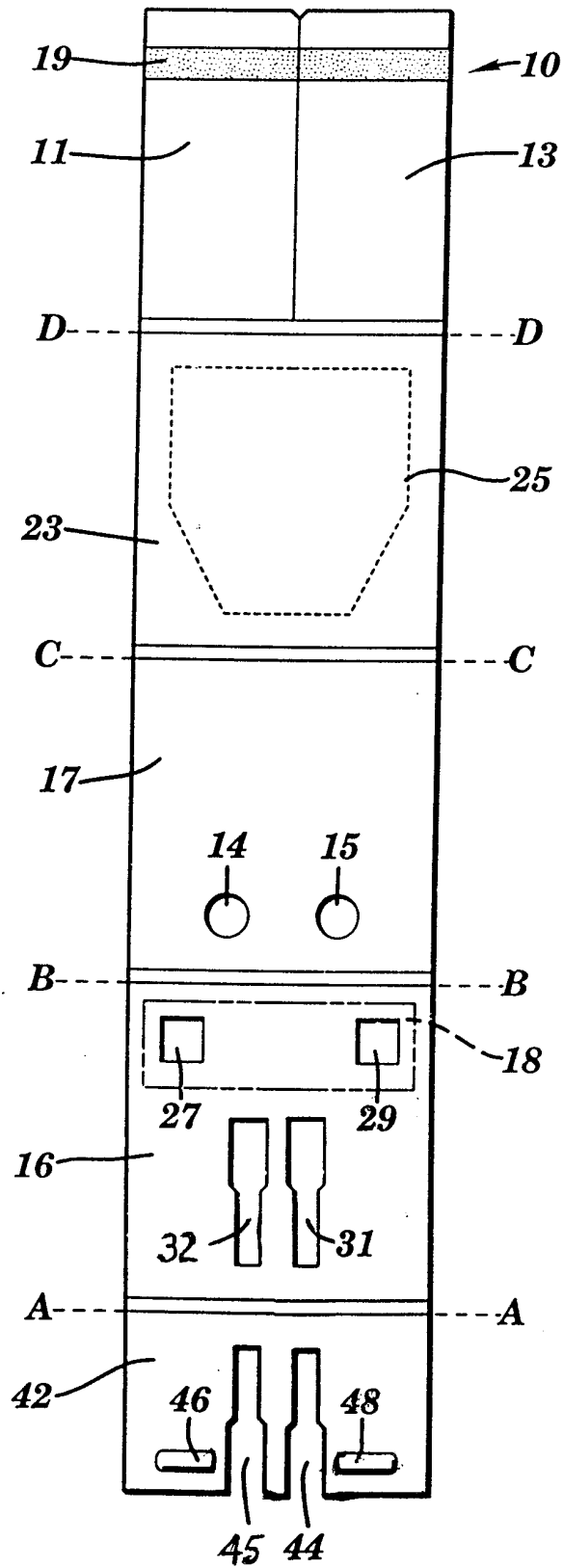


FIG. 6

INTERNATIONAL SEARCH REPORT

International application No.
PCT/AU 98/00830

| | | |
|---|--|---|
| A. CLASSIFICATION OF SUBJECT MATTER | | |
| Int Cl ⁶ : G01N 33/531, 21/78 | | |
| According to International Patent Classification (IPC) or to both national classification and IPC | | |
| B. FIELDS SEARCHED | | |
| Minimum documentation searched (classification system followed by classification symbols) IPC: G01N | | |
| Documentation searched other than minimum documentation to the extent that such documents are included in the fields searched AU: IPC as above | | |
| Electronic data base consulted during the international search (name of data base and, where practicable, search terms used) WPAT: (test strip or test element or test paper or test panel) and (insert:) and (window or aperture or flap or port) | | |
| C. DOCUMENTS CONSIDERED TO BE RELEVANT | | |
| Category* | Citation of document, with indication, where appropriate, of the relevant passages | Relevant to claim No. |
| X | WO 97/23773 A (UNIVERSAL HEALTHWATCH, INC.) 3 July 1997 pages 9-13, figures 1-5 | 1-56 |
| X | WO 96/41182 A (SMITHKLINE DIAGNOSTICS, INC.) 19 December 1996 pages 3-4, 8-9, figure 5 | 1-56 |
| X | US 4849173 A (CHANG) 18 July 1989 column 2 line 32-column 3 line 13 | 1-56 |
| <input checked="" type="checkbox"/> Further documents are listed in the continuation of Box C | | <input checked="" type="checkbox"/> See patent family annex |
| * Special categories of cited documents: | "T" later document published after the international filing date or priority date and not in conflict with the application but cited to understand the principle or theory underlying the invention | |
| "A" document defining the general state of the art which is not considered to be of particular relevance | "X" document of particular relevance; the claimed invention cannot be considered novel or cannot be considered to involve an inventive step when the document is taken alone | |
| "E" earlier application or patent but published on or after the international filing date | "Y" document of particular relevance; the claimed invention cannot be considered to involve an inventive step when the document is combined with one or more other such documents, such combination being obvious to a person skilled in the art | |
| "L" document which may throw doubts on priority claim(s) or which is cited to establish the publication date of another citation or other special reason (as specified) | "&" document member of the same patent family | |
| "O" document referring to an oral disclosure, use, exhibition or other means | | |
| "P" document published prior to the international filing date but later than the priority date claimed | | |
| Date of the actual completion of the international search 27 November 1998 | Date of mailing of the international search report 11 DEC 1998 | |
| Name and mailing address of the ISA/AU AUSTRALIAN PATENT OFFICE PO BOX 200 WODEN ACT 2606 AUSTRALIA Facsimile No.: (02) 6285 3929 | Authorized officer JANET KENNEDY Telephone No.: (02) 6283 2372 | |

INTERNATIONAL SEARCH REPORT

International application No.

PCT/AU 98/00830

| C (Continuation). DOCUMENTS CONSIDERED TO BE RELEVANT | | |
|---|---|-----------------------|
| Category* | Citation of document, with indication, where appropriate, of the relevant passages | Relevant to claim No. |
| X | EP 378353 A2 (CANCER DIAGNOSTICS, INC.) 18 July 1990 column 6 line 12-column 8 line 13 | 1-56 |
| X | EP 269362 A2 (SMITHKLINE DIAGNOSTICS, INC.) 1 June 1988 entire document | 1-56 |
| X | EP 306336 A2 (SYNTEX (USA) INC.) 8 March 1989 column 15 line 53-column 16 line 21 | 1-56 |
| X | AU 69913/87 B (600703) (SMITHKLINE DIAGNOSTICS, INC.) 23 August 1990 entire document | 1-56 |
| X | WO 96/28715 A (CHANDLER) 19 September 1996 page 8 lines 6-20, pages 23-28 | 33, 37-45, 47-56 |
| X | WO 95/23969 A (AQUA-CULTURE DIAGNOSTICS LIMITED) 8 September 1995 pages 6-9, Figures 1 and 2 | 33, 37-45, 47-56 |
| X | WO 85/05687 A (UNILEVER PLC) 19 December 1985 pages 7-10, Figures | 33, 37-45, 47-56 |

INTERNATIONAL SEARCH REPORT

Information on patent family members

International application No.:

PCT/AU 98/00830

This Annex lists the known "A" publication level patent family members relating to the patent documents cited in the above-mentioned international search report. The Australian Patent Office is in no way liable for these particulars which are merely given for the purpose of information.

| Patent Document Cited in Search Report | | | | Patent Family Member | | | |
|--|----------|------|----------|----------------------|----------|----|----------|
| WO | 97/23773 | AU | 12941/97 | US | 5766962 | | |
| WO | 96/41182 | CA | 2219882 | CN | 1192274 | EP | 832432 |
| | | US | 5747351 | WO | | | |
| US | 4849173 | NONE | | | | | |
| EP | 378353 | AU | 47895/90 | CA | 1335787 | EP | 737443 |
| | | JP | 3197864 | US | 4961432 | US | 5016644 |
| | | US | 5024237 | US | 5024238 | US | 5038793 |
| | | US | 5077012 | US | 5301685 | US | 5358690 |
| | | US | 5471994 | US | 4960130 | AU | 57678/90 |
| | | EP | 404527 | JP | 3128461 | US | 5003988 |
| | | US | 5133363 | AU | 61174/90 | AU | 63169/94 |
| | | EP | 414513 | JP | 3170059 | AU | 62522/90 |
| | | EP | 419168 | JP | 3170060 | US | 4953561 |
| | | US | 5022411 | US | 5042502 | US | 5137031 |
| | | AU | 63006/90 | CA | 2025261 | EP | 425093 |
| | | JP | 3131760 | US | 5224489 | AU | 80467/91 |
| | | CA | 2046833 | EP | 468672 | JP | 6308126 |
| | | AU | 17789/92 | CA | 2084778 | EP | 533912 |
| | | WO | 92/17110 | AU | 17814/92 | CA | 2085741 |
| | | EP | 535212 | EP | 787987 | US | 5429803 |
| | | WO | 92/18844 | CH | 686324 | EP | 654972 |
| | | WO | 94/03103 | | | | |

Continued